

# APPENDIX C - TV MOUNT SPECIFICATIONS AND INSTALLATION OPTIONS



## IMPORTANT UL LISTING SAFETY INFORMATION - INSTALLER PLEASE NOTE BEFORE INSTALLATION

Caution - For a safe installation, the wall surface where mount is being attached must be capable of supporting a minimum of a 500 lbs. static load. Always carefully follow manufacturers installation instructions for any fasteners used in each installation. Installer is solely responsible for determining appropriateness of installation site and all fasteners used.

Note: Our UL and C-UL Listing means that our product has been tested to a minimum of four times the listed safe load of the model being utilized in order for the product to pass. For example, a TV mount which is UL rated at 95 lbs. is actually tested at four times that load, or 380 lbs., for structural strength and to not pull-out from the wall. Most manufacturers cannot meet these minimum safety standards and are therefore not able to obtain a UL listing on their product.

### FOR METAL STUD WALL INSTALLATION

Bretford **does not** manufacture any wall mounts to be attached to steel stud walls of any gauge without the addition of structural reinforcement to the metal studs themselves with wood or steel.

### FOR CONCRETE OR BRICK INSTALLATIONS

The TVULHDW hardware kit is recommended for mounting all of Bretford wall mount products to concrete, brick or other solid masonry surfaces. For single arm mounts four-sleeve anchors provided can be used for televisions up to and including 35" diagonal sizes (Maximum total load is 175 lbs. for UL Listed installations). For double arm mounts six-sleeve anchors provided can be used for televisions up to and including 40" diagonal sizes (Maximum total load is 240 lbs. for UL Listed installations).

### FOR HOLLOW CONCRETE BLOCK INSTALLATIONS

For hollow concrete block wall installations of 19-20" and 25-27" TV mounts, use the three toggler bolts provided in the TVULTOG hardware kit. The TVWW3035HH-BK TV Mount includes these rods for installation. (Maximum total load for UL list install is 95 lbs). The TVEBP-BK back-up plate provides added strength to hollow concrete installations by attaching to the opposite side of the wall with the toggler bolts. The TVEBP-BK is strongly recommended for all hollow concrete wall installations.

### FOR WOOD STUD INSTALLATIONS

- Caution:
- Maximum total load of 135 lbs. per wooden stud for a UL Listed installation.
  - Use only the 1/4" x 2 1/2" lag screws provided in the original carton for UL approved mounting in wood studs.
  - A single wooden wall stud properly installed can support up to and including a 32" television and mount up to 135 lbs. total when using 2 1/2" wood screws provided with each wall mount hardware pack in each carton.
  - For TV's over 32" diagonal size, use a double stud wall plate (either interior or exterior type) that ties together two 16" or 24" on center wall studs. These mounting plates must be used in all wood stud installations over 32" if UL listing is required.

Note: All double stud wall models offered by Bretford are manufactured with the proper weight distribution and do not require an additional back-up plate to be added for UL approval.

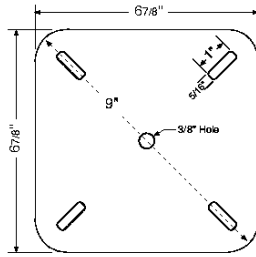
### UL LISTING TELEVISION PARAMETERS (BY DIAGONAL SCREEN SIZES)

UL Listing Television Load Parameters (by diagonal screen size)	
Television Size	Weight
12"-13" diagonal screen	25 lbs.
14"-16" diagonal screen	35 lbs.
17"-20" diagonal screen	50 lbs.
21"-24" diagonal screen	70 lbs.
25"-27" diagonal screen	95 lbs.
25"-27" diagonal screen Gibraltar and Professional Series	150 lbs.
28"-32" diagonal screen	135 lbs.
33"-35" diagonal screen	175 lbs.
(double stud required for wall installation)	
36"-40" diagonal screen	240 lbs.
(double stud required for wall installation)	

BRETTFORD SUGGESTS HILTI® BRAND FASTENERS. HILTI CAN BE CONTACTED AT 800.879.8000.

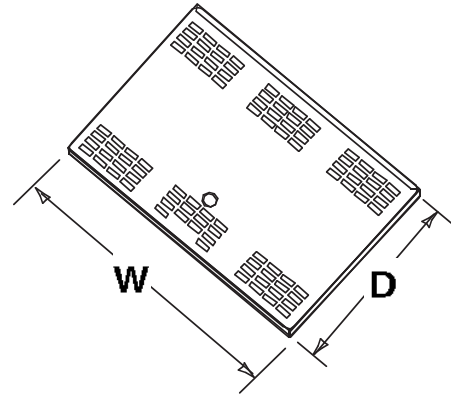
## FURNITURE MOUNT SPECIFICATIONS

Model	Monitor Size		UL Listed	W"(mm)	D"(mm)	Lock
	19-20"	25-27"				
TVFM20-BK	•	•		20 (508)	13½ (343)	•
TVFM27-BK		•		26 (660)	13½ (343)	•



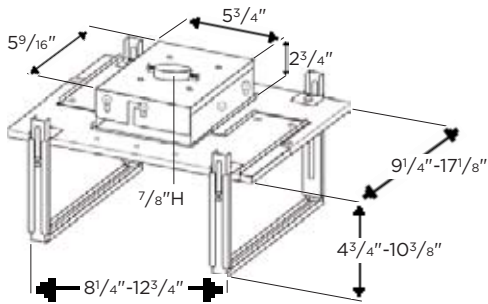
Anti-Theft Screw Feature

Bottom Plate

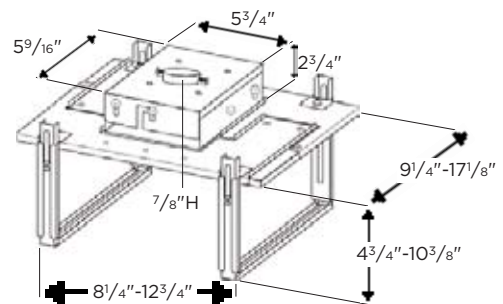


## LCD PROJECTOR MOUNT SPECIFICATIONS

TPMA1-BK



TPMA2-BK



TPMA3-BK

