

FLAT PANEL DISPLAY MOUNTS AND CARTS

HEALTHCARE//RESEARCH



Adjustable Desk Mounts for Small LCD Monitors

EDUCATION//TRAINING



Wall Mounts for Small LCD Monitors

OFFICE//WORKPLACE



Multiple Displays for Small LCD Monitors

Bretford provides products that help you learn and work at your very best. Products for your Classroom, Conference Room, Training Room, Boardroom, Office and Library.

UNIQUELY BRETTFORD! SUPPORTING YOUR POINT OF VIEW

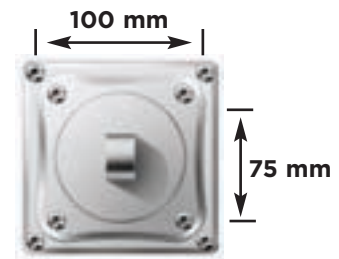
- **Organization** At your workstation, Bretford's Flat Panel Mounts keep your LCD Display right where you want it ... and cables out of sight!
- **Ergonomic** Adjusting your monitor view throughout the day helps you stay alert and be more productive.
- **Stylish Design** These mounts not only support your monitor, they do it with style and good looks.

VESA® COMPLIANT SMALL DISPLAY MOUNTS

Video Electronics Standards Association (VESA®) is an international non-profit corporation that supports and sets industry-wide interface standards for the PC, workstation and computing environments. VESA's Flat Panel Display Interface (FDMI) defines a set of mounting interface standards for small flat panel displays with mounting holes at 75mm (2.95") and 100mm (3.94").

Other VESA Interface sizes include 200mm x 200mm and 200mm x 100mm, found in Bretford's new V200 mounting plate on flat panel carts.

Look for VESA compliance on your monitor, or check the mounting hole dimensions.



MULTI-PURPOSE FACILITIES



Wall Mounts for Large Displays

MANUFACTURING//INDUSTRY



Ceiling Mounts for Large Displays

HOSPITALITY//HOME



Multi-Media Carts including Large Displays

UNIVERSAL DESIGN
Takes the guess work out of selecting the right mount.

PATENTS PENDING
Seven different patents are applied for in this unique line of flat panel support.

CABLE MANAGEMENT
Think about all the cords! Bretford already did.

SPIKE & RAIL CONCEPT
Form meets function & gives you endless combinations for your unique application.

ADJUSTABLE DESK MOUNTS



FLAT PANEL TECHNOLOGY IN YOUR WORK...BRETTFORD CAN HELP!

HEALTHIER

Adjust your monitor to correct viewing angles for comfort even when changing your sitting or standing position.

CLEANER

Get the monitor off the worksurface easily and efficiently. Opens up your area while allowing you to set the monitor where you need it.

COOLER

The "cool factor" becomes apparent from the first time you effortlessly lift and position your monitor exactly where you want it and it stays there!

PHARMACY

Every little thing organized and in its place, including your monitor.



FPSM-D-ADJ1-AL Adjustable Single Arm Desk Mount for monitors weighing up to 15 lbs
FPSM-D-ADJ1XX-AL Adjustable Single Arm Desk Mount for monitors weighing from 15 to 30 lbs

LCD Size	Lift	Tilt	Pan	P/L Rotation
≤ 22.9 in ≤ 58.3 cm	≤ 14.0 in ≤ 35.5 cm	+/- 45°	180°	360°



Extra extension arm adds 6" of length & flexibility

FPSM-D-ADJ2-AL Adjustable Dual Arm Desk Mount for monitors weighing up to 15 lbs
FPSM-D-ADJ2XX-AL Adjustable Dual Arm Desk Mount for monitors weighing from 15 to 30 lbs

LCD Size	Lift	Tilt	Pan	P/L Rotation
≤ 22.9 in ≤ 58.3 cm	≤ 14.0 in ≤ 35.5 cm	+/- 45°	180°	360°

SMALL LCD MONITORS



CHECK-IN
Moving the monitor is critical for different size users and different shifts



RESEARCH
Monitoring your testing doesn't have to take over your space



THE ADJUSTABLE OFFICE
Adjust your monitor for lighting, for viewing and for organization

VESA COMPLIANT
No need to worry about purchasing a specific display.

REGULAR & HEAVY DUTY "XX"
Choose the right arm for your monitor's weight.

SMART
Easily rotates for portrait or landscape viewing.

TILT ADJUST
For ambient light/neon lights.

HEIGHT ADJUSTABLE
Can be set and reset for different users.

CORD MANAGEMENT
Large enough to hold up to 6 cables - no cumbersome threading!

CLAMP-ON OR BOLT-THRU
Comes with both!

UCS800-GM TEACHER'S STATION
Enhance computer mobility by putting the monitor just where you need it, sit or stand!
(UCS800 found on page 47)

ARTICULATING & ADJUSTABLE WALL MOUNTS



YOU USE FLAT PANEL TECHNOLOGY IN YOUR CLASS...BRETTFORD CAN HELP!

HEALTHIER

Today's classrooms are constantly changing throughout the day & night. Different size users need LCD Monitors in different positions.

ORGANIZED

Space in the carrel or on the table can be maximized with the monitor attached to the wall on a swing-out arm.

CHANGE

Overhead lights and windows are usually static. Reconfiguring classrooms can mean monitors are in the light, requiring tilts and turns.

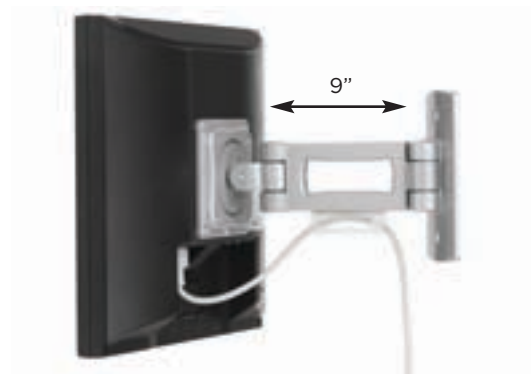
THE ADJUSTABLE TRAINING CENTER

Staying on schedule and staying on task means updates and changes are communicated to everyone, especially the coordinator!



FPSM-W-0-AL Low Profile Wall Mount

LCD Size	LCD Wt	Extension	Tilt	Pan	P/L Rotation
≤ 22.9 in	≤ 25.0 lbs	3.0 in	+/-45°	90°	360°
≤ 58.3 cm	≤ 11.3 kg	7.7 cm			



FPSM-W-1-AL Single Arm Wall Mount

LCD Size	LCD Wt	Extension	Tilt	Pan	P/L Rotation
≤ 22.9 in	≤ 25.0 lbs	9.0 in	+/-45°	120°	360°
≤ 58.3 cm	≤ 11.3 kg	22.8 cm			

SMALL LCD MONITORS



KITCHEN
Great space saver.



OPEN OFFICE
Your monitor stays right where you need it.

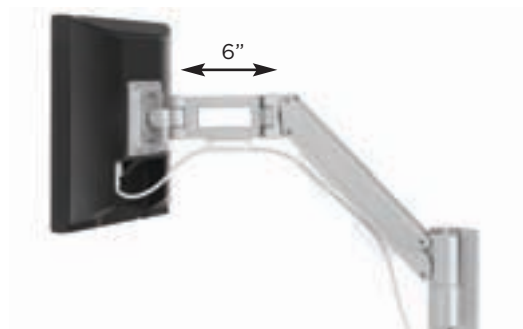


NURSE'S STATION
Organization & sensitive information—tip the monitor.



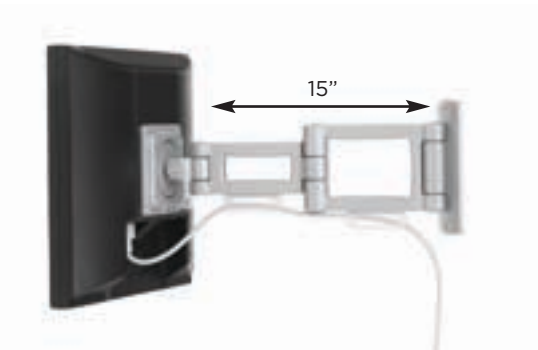
FPSM-W-ADJ1-AL Adjustable Single Arm Wall Mt.
FPSM-W-ADJ1XX-AL Adjustable Single Arm Wall Mt.

LCD Size	Lift	Tilt	Pan	P/L Rotation
≤ 22.9 in ≤ 58.3 cm	≤ 14.0 in ≤ 35.5 cm	+/- 45°	180°	360°



FPSM-W-ADJ2-AL Adjustable Dual Arm Wall Mt.
FPSM-W-ADJ2XX-AL Adjustable Dual Arm Wall Mt.

LCD Size	Lift	Tilt	Pan	P/L Rotation
≤ 22.9 in ≤ 58.3 cm	≤ 14.0 in ≤ 35.5 cm	+/- 45°	180°	360°



FPSM-W-2-AL Dual Arm Wall Mount

LCD Size	LCD Wt	Extension	Tilt	Pan	P/L Rotation
≤ 22.9 in ≤ 58.3 cm	≤ 25.0 lbs ≤ 11.3 kg	≤ 15.0 in 38.1 cm	+/- 45°	180°	360°



DESK & TABLE & WALL MULTIPLE DISPLAY MOUNTS



YOU'RE A TRADER, OR A TECHNICIAN, OR SECURITY GUARD OR SOMEONE WHO NEEDS TO STARE AT MULTIPLE SCREENS...
BRETTFORD CAN HELP!

ORGANIZED

Think of all the cables. Bretford already did when the Multiple Display Mounts were engineered.

HEALTHIER

Each monitor is independently attached to the mount using a knuckle which allows you to set the appropriate angle of view paramount when you're viewing six screens at one time!

STURDY & SAFE

Multiple monitors can get heavy. Bretford has designed these Multiple Display Mounts to safely distribute the weight without appearing bulky. The mount almost disappears, leaving you all those monitors to concentrate on.

THE ADJUSTABLE STOCK EXCHANGE

Watch all the activity up to the minute with multiple monitors.



FP5M-W-DIS2-AL Single Level-Wall - 2 Monitors

LCD Size	LCD Wt	Depth to Wall	Tilt	Pan	P/L Rotation
≤ 22.9 in	≤ 25.0 lbs	11 to 13 in	+/-45°	60°	360°
≤ 58.3 cm	≤ 11.3 kg	28 to 33cm			

FP5M-W-DIS3-AL Single Level-Wall - 3 Monitors

LCD Size	LCD Wt	Depth to Wall	Tilt	Pan	P/L Rotation
≤ 22.9 in	≤ 25.0 lbs	11 to 13 in	+/-45°	60°	360°
≤ 58.3 cm	≤ 11.3 kg	28 to 33 cm			



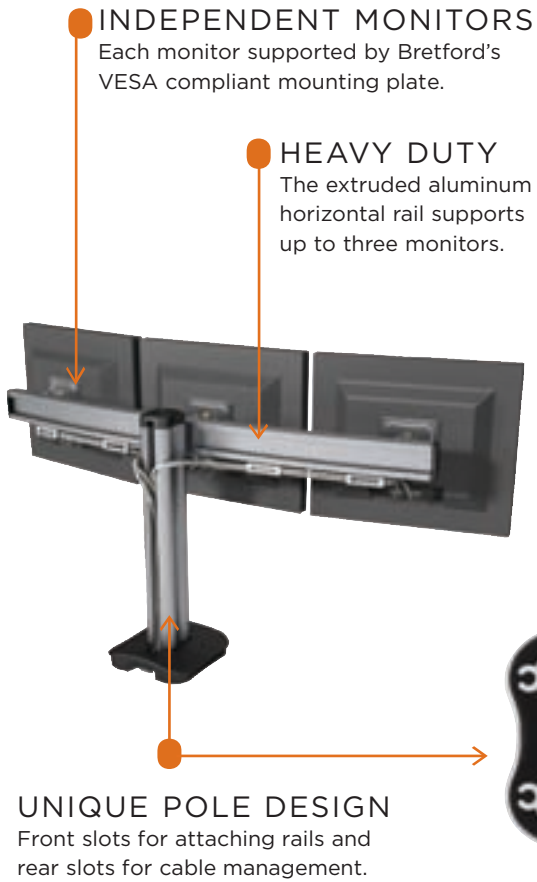
FP5M-W-DIS4-AL Double Level-Wall - 4 Monitors

LCD Size	LCD Wt	Depth to Wall	Tilt	Pan	P/L Rotation
≤ 22.9 in	≤ 25.0 lbs	11 to 13 in	+/-45°	60°	360°
58.3 cm	≤ 11.3 kg	28 to 33 cm			

FP5M-W-DIS6-AL Double Level-Wall - 6 Monitors

LCD Size	LCD Wt	Depth to Wall	Tilt	Pan	P/L Rotation
≤ 22.9 in	≤ 25.0 lbs	11 to 13 in	+/-45°	60°	360°
≤ 58.3 cm	≤ 11.3 kg	28 to 33 cm			

SMALL LCD MONITORS



SECURITY MINDED
Multiple Display Mounts for up to six screens per mount.



FPSM-D-DIS2-AL Single Level-Desk - 2 Monitors

LCD Size	LCD Wt	Ht Adjust off Desk	Tilt	Pan	P/L Rotation
≤ 22.9 in ≤ 58.3 cm	≤ 25.0 lbs ≤ 11.3 kg	3 to 10 in 7.6 to 25 cm	+/-45°	60°	360°



FPSM-D-DIS4-AL Double Level-Desk - 4 Monitors

LCD Size	LCD Wt	Ht Adjust off Desk	Tilt	Pan	P/L Rotation
≤ 22.9 in ≤ 58.3 cm	≤ 25.0 lbs ≤ 11.3 kg	3 to 10 in 7.6 to 25 cm	+/-45°	60°	360°

FPSM-D-DIS3-AL Single Level-Desk - 3 Monitors

LCD Size	LCD Wt	Ht Adjust off Desk	Tilt	Pan	P/L Rotation
≤ 22.9 in ≤ 58.3 cm	≤ 25.0 lbs ≤ 11.3 kg	3 to 10 in 7.6 to 25 cm	+/-45°	60°	360°

FPSM-D-DIS6-AL Double Level-Desk - 6 Monitors

LCD Size	LCD Wt	Ht Adjust off Desk	Tilt	Pan	P/L Rotation
≤ 22.9 in ≤ 58.3 cm	≤ 25.0 lbs ≤ 11.3 kg	3 to 10 in 7.6 to 25 cm	+/-45°	60°	360°

WALL MOUNTS



MULTI-PURPOSE ROOMS REQUIRE MULTI-PURPOSE MONITORS...BRET福德 CAN HELP!

CLEVER

Both of these flat panel wall mounts have a unique tilt locking system with friction knobs.

EASY INSTALL

Attach the bracket to the wall. Attach the mounting arms to the monitor. Lift in place. Finish the install. Monitor is easily installed and removed for access to rear plug-ins or for servicing.

STURDY & SAFE

Integrated locking bar is designed to use your locks and deters theft. Designed for installation to double wood centers, hardware included.

HIGH DESIGN

Low profile positions the monitor 2 7/8" away from the wall. Features forward tilt adjustments of +5° to -15°. Exclusive aluminum castings and extrusions create a unique design that complements your expensive equipment. Even looks good from the back!

THE ADJUSTABLE MULTI-PURPOSE ROOM

Large meetings or small breakout groups, any application can use wall-mounted monitors.



FPLM-FFP Flush Flat Panel Wall Mount for 30" to 46" diagonal monitors up to 120 lbs.

LCD Size	LCD Wt	Tilt	P/L Rotation
30-46 in	≤ 120.0 lbs	≤ 15°	Assemble either
76-117 cm	≤ 54.4 kg		Portrait or Landscape

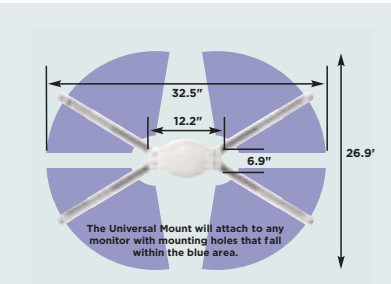
FPLM-FFP2 Flush Flat Panel Wall Mount for 46" to 61" diagonal monitors up to 200 lbs.

LCD Size	LCD Wt	Tilt	P/L Rotation
46-61 in	≤ 200.0 lbs	≤ 15°	Assemble either
117-155 cm	≤ 90.7 kg		Portrait or Landscape



Bracket shown with customer's own lock.

LARGE WALL DISPLAYS



UNIVERSAL

Mounting arms are uniquely “geared” to keep the mounting holes perfectly synchronized during the assembly process. The pitch and rotation mechanism are then perfectly centered on your monitor.

ROTATE & TILT

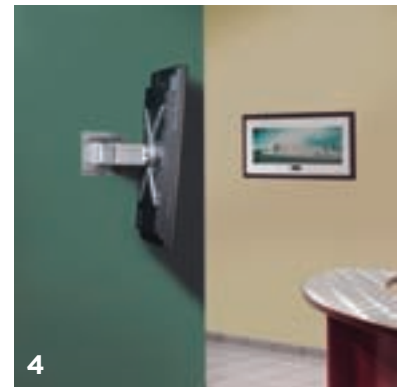
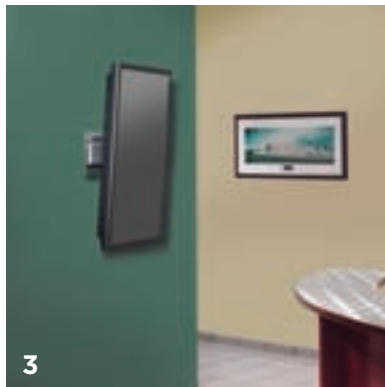
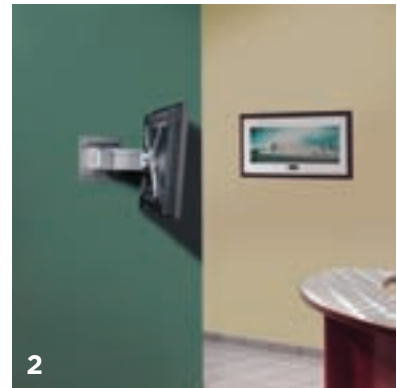
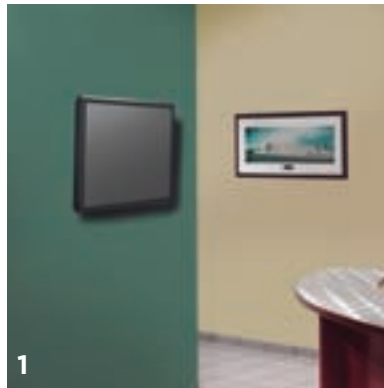
Easily turn and tilt your monitor, then lock it into position.

PERFECT FIT

Aluminum castings and solid steel – rock-solid, yet beautiful. The back of the display only enhances the front.

EASY INSTALLATION

This assembly can minimize your installation frustration. Mount the plate to the wall. Attach the bracket to the monitor, then lift into a pocket which holds the monitor in place while you finish the install.



LOBBY MESSAGE BOARD

The Universal Arm Display can change as quickly as your schedule.

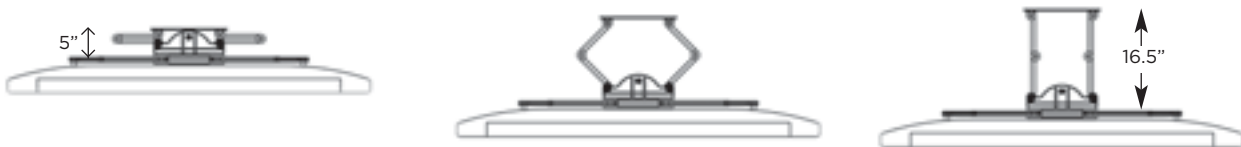
- 1 Landscape Format flush against the wall
- 2 Landscape Format extended out and tilted
- 3 Portrait Format tilted tight against the wall
- 4 Portrait Format extended out and tilted

FPLM-ARM-AL Adjustable Arms Universal Flat Panel Wall Mount for 42” to 61” diagonal monitors up to 175 lbs.

LCD Size	LCD Wt	Tilt	P/L Rotation
42-61 in 107-155cm	≤ 175.0 lbs ≤ 79.4 kg	≤ 15°	360°



Extension Positions of FPLM-ARM-AL



CEILING MOUNTS



LARGE MONITORS NEED TO BE CEILING MOUNTED FOR OPTIMAL VIEWING...
BRETTFORD CAN HELP!

CLEVER

Ceiling mounts fit most monitors up to 61" diagonal and have a unique one-handed tilt feature with a secure lock (patent pending).

EASY INSTALL

Attach the bracket to the ceiling structure. Attach the mount to the monitor. Lift into place. Finish the install.

STURDY & SAFE

Mounts combine with Bretford's proven mounting accessories and hardware for worry-free installations.

HIGH DESIGN

Exclusive aluminum castings and extrusions create a unique design that complements your expensive equipment. Even looks good from the back!

MANUFACTURING COMMUNICATION

Monitor production output, safety messages and quality statistics from the shop floor.



UNIQUE POLE DESIGN

Attach monitors front and back utilizing the Universal Arm Brackets with spikes in the slots.

Ceiling Poles come in 36", 48", 60" & 72" lengths.

Order Poles separately.



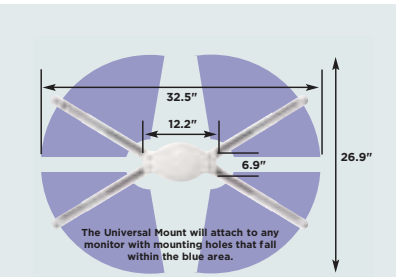
FPCM-2-AL Dual Monitor Universal Flat Panel Ceiling Mount for 61" diagonal monitors up to 85 lbs. each or 170 lbs. total.

LCD Size	LCD Wt	Pole Height	Tilt	P/L Rotation
<61 in	≤ 170.0 lbs	see below	≤ 15°	360°
<152 cm	≤ 77.1 kg			

FPCMPOLE36	36" 91.4 cm
FPCMPOLE48	48" 121.9 cm
FPCMPOLE60	60" 152.4 cm
FPCMPOLE72	72" 182.9 cm

See page 29 for Ceiling Mounting Accessories.

LARGE CEILING DISPLAYS



UNIVERSAL
Mounting arms are uniquely “geared” to keep the mounting holes perfectly synchronized during the assembly process. The pitch and rotation mechanism are then perfectly centered on your monitor.

ROTATE & TILT
Easily turn and tilt your monitor, then lock it into position.

PERFECT FIT
Aluminum castings and solid steel. Rock-solid, yet beautiful. The back of the display only enhances the front.

EASY INSTALLATION
This assembly can minimize your installation frustration. Mount the plate to the wall. Attach the bracket to the monitor, then lift into a pocket which holds the monitor in place while you finish the install.



- The heart of Bretford's Flat Panel Display is a uniquely shaped extruded aluminum pole with slots front & back.
- SPECIAL MOUNTING SPIKES** slide up & down in the front slot, providing solid support for the Universal Mounting Arm and other accessories.
- BACK SLOT** provides cable management.



HIGH CLASSROOM CEILING
Position and angle monitors at just the right height for student viewing.

FPCM-1-AL Single Monitor Universal Flat Panel Ceiling Mount for 42” to 61” diagonal monitors up to 170 lbs.

LCD Size	LCD Wt	Pole Height	Tilt	P/L Rotation
≤ 61 in	≤ 170.0 lbs	see below	≤ 15°	360°
≤ 152 cm	≤ 77.1 kg			

FPCMPOLE36	36” 91.4 cm
FPCMPOLE48	48” 121.9 cm
FPCMPOLE60	60” 152.4 cm
FPCMPOLE72	72” 182.9 cm

See page 29 for Ceiling Mounting Accessories.



MULTI-MEDIA CARTS



THE MODULAR LOBBY

Roll in the Large Display for the big game, then roll it on to the next event.

YOUR LARGE SCREEN MONITORS ARE NEEDED IN MORE THAN ONE LOCATION... BRETTFORD CAN HELP!

COST EFFECTIVE

Now you can share even large monitors between rooms and events. Safely holds and transports most monitors up to 61" diagonal.

MODULAR

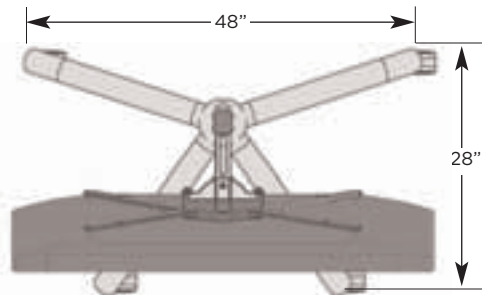
Attach shelves and accessories for your custom application.

STURDY & SAFE

Proven 4-star "K Base" design provides safe and easy transport for large monitors.

HIGH DESIGN

Exclusive aluminum castings and extrusions create a unique design that complements your expensive equipment. Even looks good from the back!



Front View



Back View



Shown with FPPSHS Accessory Shelf



TRAINING ROOM

High Definition, large format, all mobile.

UNIVERSAL
Mounting arms are uniquely "geared" to keep the mounting holes perfectly synchronized during the assembly process. The pitch and rotation mechanism are then perfectly centered on your monitor.

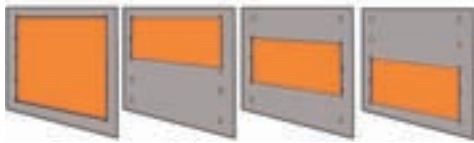
ROTATE & TILT
Easily turn and tilt your monitor, then lock it into position.

PERFECT FIT
Aluminum castings and solid steel – rock-solid, yet beautiful. The back of the display only enhances the front.

EASY INSTALLATION
This assembly can minimize your installation frustration. Mount the plate to the wall. Attach the bracket to the monitor, then lift into a pocket which holds the monitor in place while you finish the install.

The heart of Bretford's Flat Panel Display Cart is a uniquely shaped extruded aluminum pole, with slots front & back.

- SPECIAL MOUNTING SPIKES** slide up & down in the front slot, providing solid support for the Universal Mounting Arm and other accessories.
- BACK SLOT** provides cable management.



200mm VESA Compliant Mounting Plate works on monitors with 200x200mm or 200x100mm VESA Mounting Hole Patterns.

NEW Flat Panel K-Base Cart w/ VESA Compliant Mount

FPP72V200 Flat Panel Display Cart

LCD Size	LCD Wt	Cart Height	Tilt	Ship Wt.	P/L Rotation
32-46"	≤ 100.0 lbs	80.0"	0°	135 lbs.	0°
81-107 cm	≤ 45.3 kg	203.2 cm			

NEW Flat Panel K-Base Cart w/Universal ARM Bracket

FPP72 Flat Panel Display Cart

LCD Size	LCD Wt	Cart Height	Tilt	Ship Wt.	P/L Rotation
42-61"	≤ 170.0 lbs	80.0"	≤15°	140 lbs.	360°
107-152 cm	≤ 77.1 kg	203.2 cm			



ELECTRONIC BULLETIN BOARD
Move your message where the people are.

- ADVANCED** Small Accessory Shelf for Video Conferencing Camera
- MODULAR** Height resettable pole
- ORGANIZED** Cable Bin



Refer to Flat Panel Cart Accessories, page 20-21.

MULTI-MEDIA CABINET CARTS



FLAT PANEL SUPPORT

One model holds a 42" to 61" diagonal flat panel TV with universal Arm Mounting Assembly. Second model holds 32" to 46" diagonal monitors with 200mm VESA hole patterns.

POWER

Integrate cable management through the slots on the pole.

SECURITY

Locking front and rear doors provide total access for wiring and set-up.

MODULAR

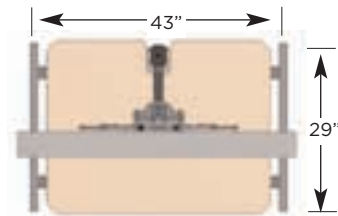
Standard 19" Rack Mount Vertical Rails hold standard shelves and accessories.

COOL

Unique ventilation system for heat dispersal.

YOU CHOOSE

Select the cabinet color and the top finish from Bretford's color palette.



Inside Cabinet Dimensions:
26"W x 26"H x 26"D

Outside Cabinet Dimensions:
42.5"W x 35.5"H x 29"D

MOBILE TRAINING A LA CART

Use your Large Display in the Conference Room for the Breakfast Club, in the Training Room for lunch, and the Board Room after dinner.

- UP TO 61" DIAGONAL FPPC72** with universal ARM bracket holds from 42" to 61" diagonal monitor, total weight capacity 170 lbs.
- UP TO 46" DIAGONAL FPPC72V200** with 200mm VESA plate holds up to 46" diagonal monitor with 200mm VESA mounting pattern, total weight capacity 90 lbs.
- CLEAN FRONT & BACK** Won't get caught on the door jam - even the pole is recessed into the cabinet.
- EASY ACCESS** Locking front doors and back doors provide access to cables and connectors. Pole's unique slots are used for simple cable management.

The Universal Mount will attach to any monitor with mounting holes that fall within the blue area.

UNIVERSAL
Mounting arms are uniquely "geared" to keep the mounting holes perfectly synchronized during the assembly process. The pitch and rotation mechanism are then perfectly centered on your monitor.

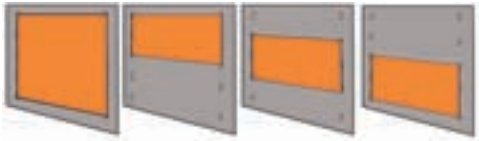
ROTATE & TILT
Easily turn and tilt your monitor, then lock it into position.

PERFECT FIT
Aluminum castings and solid steel — rock-solid, yet beautiful. The back of the display only enhances the front.

EASY INSTALLATION
This assembly can minimize your installation frustration. Mount the plate to the wall. Attach the bracket to the monitor, then lift into a pocket which holds the monitor in place while you finish the install.

The heart of Bretford's Flat Panel Display Cart is a uniquely shaped extruded aluminum pole, with slots front & back.

- SPECIAL MOUNTING SPIKES** slide up & down in the front slot, providing solid support for the Universal Mounting Arm and other accessories.
- BACK SLOT** provides cable management.



200mm VESA compliant mounting plate works on monitors with 200x200mm or 200x100mm VESA Mounting Hole Patterns.

NEW Flat Panel Display Cabinet Cart w/ VESA Compliant Mount

- FPPC72V200**-Select paint/laminate from color palette
- FPPC72V200W**-Select paint/veneer from color palette
- FPPC72V200-AL-469-8**-Aluminum paint finish, Wrought Iron laminate, and Knife edge.
- FPP72V200-AL-HM-8**-Aluminum paint finish, Natural Maple laminate, and Knife edge.

LCD Size	LCD Wt	Cart Height	Tilt	Ship Wt.	P/L Rotation
32-46"	≤ 100.0 lbs	80.0"	0°	135 lbs.	0°
81-117 cm	≤ 45.3 kg	203.2 cm			

NEW Flat Panel Display Cabinet Cart w/Universal ARM Bracket

- FPPC72**-Select paint/laminate from color palette
- FPPC72W**-Select paint/veneer from color palette
- FPPC72-AL-469-8**-Aluminum paint finish, Wrought Iron laminate, and Knife edge.
- FPPC72-AL-HM-8**-Aluminum paint finish, Natural Maple laminate, and Knife edge.

LCD Size	LCD Wt	Cart Height	Tilt	Ship Wt.	P/L Rotation
42-61"	≤ 170.0 lbs	80.0"	15°	140 lbs.	360°
107-155 cm	≤ 77.1 kg	203.2 cm			

LAMINATE FINISH OPTION



See page 20-21 for Flat Panel Cart Accessories.

- ROTATING FORMAT**
FPPC72 display easily rotates from landscape to portrait and tilts forward up to 15°. **FPPC72V200** does not rotate or tilt.
- COOL**
Convection venting design takes heat up and out of the cabinet, cooling equipment without fans.
- SECURITY**
Keyed locks on both front and back doors keep equipment safe.
- 19" RACK MOUNT**
Standard 19" Rack System inside the cabinet for equipment and accessory shelves and other gear.

BUILD YOUR OWN CART

A LA CART

YOUR CART YOUR WAY

Bretford's Flat Panel Carts and Cabinet Carts feature a unique pole for attaching shelves, monitors, and accessories.

GETTING STARTED

The Flat Panel Carts and Cabinet Carts are described on pages 16-19. From there, decide the configuration for your unique application.

BOTTOM UP

You are loading the pole from the base up. Accessories used towards the bottom of the cart are positioned on the cart first.

COLOR CHOICES

Choose from a variety of custom laminates for your accessory shelves or select the standard Wrought Iron laminate that is in stock and ships immediately.

LIMITATIONS

Items should not exceed a total of 170 lbs. of accessories and gear and should not be attached above the top of the pole. Remember, the K-Base pole is 72" tall. Consider the height of each component you wish to attach.



FPP72V200 K-Base Cart with 32" wide multiple display beam, keyboard shelf, CPU holder and cable bin.

K-Base Cart comes with either a Universal ARM Bracket for 42" to 61" monitors, or a V200 Bracket for 32" to 46" monitors-you choose!

Includes a push handle for safe and easy mobility without handling of the monitor.

Accessories on the bottom of the pole, such as the CPU holder are added to the pole first. The rest of the cart is built from the bottom up with your choice of accessories.

Includes 4" twin-wheel casters each with a lock to secure in place.



Accessories are attached to the pole using unique "spikes" which allow you to reset the height of your accessory, while providing a secure lock stop on the pole.

Cutaway of unique extruded aluminum pole, with front and back slots. Spikes ride in one slot allowing cord management in the opposite slot.

Base is self-leveling when all four wheels are on the floor.

MULTI-MEDIA CART ACCESSORIES



Shown in Natural Maple Veneer

ACCESSORY SHELVES

FPPSHLAP 19" x 18", 12 lbs.

FPPSHS 20" x 16", 12 lbs.

FPSHX 24" x 17", 13 lbs.

FPPSHLAP- Add finish code to model

FPPSHLAP-469 with Wrought Iron laminate

FPPSHS- Add finish code to model

FPPSHS-469 with Wrought Iron laminate

FPSHX- Add finish code to model

FPSHX-469 with Wrought Iron laminate



Shown in Natural Maple Veneer

KEYBOARD SHELVES

FPPKB1 with a 6" extension arm

FPPKB2 with a 12" articulating arm

DIMENSIONS: 25" x 10"

SHIPPING WT. 10 lbs.

FPPKB1- Add finish code to model

FPPKB1-469 with Wrought Iron laminate

FPPKB2- Add finish code to model

FPPKB2-469 with Wrought Iron laminate

SHELF LAMINATE FINISH OPTION



Wrought Iron (469)



SPEAKER BARS

FPPSP31 31" Wide Bar with two speaker mounting plates.
SHIPPING WT. 5 lbs.

FPPSP42 42" Wide Bar with two speaker mounting plates.
SHIPPING WT. 5 lbs.



ARTICULATING MOUNTS

Holds monitors with 75/100mm VESA patterns up to 25 lbs. Swivel and tilt right on the pole for best viewing angles.

FPP1M0 Low Profile Mount
3" from pole.

SHIPPING WT. 6 lbs.

FPP1M1 Single 6" Arm Mount
9" from pole.

SHIPPING WT. 9 lbs.

FPP1M2 Double 12" Arm Mount
15" from pole.

SHIPPING WT. 11 lbs.



MULTIPLE DISPLAY BEAMS

FPPSP31 31" Wide Beam
Comes with two 75/100mm VESA multiple display assemblies.
SHIPPING WT. 5 lbs.

FPP3M 42" Wide Beam
Comes with three 75/100mm VESA multiple display assemblies.
SHIPPING WT. 8 lbs.



FPPCPU CPU HOLDER

Provides solid support for CPU, even during transport. Attaches to the pole with unique "spikes." Can be set to various heights on the pole.
SHIPPING WT. 5 lbs.



FPPCB CABLE BIN

Provides a place for cords and cables to be wound and stored. Attaches securely to the pole. Includes 6-outlet electrical unit with 12-foot grounded cord.
SHIPPING WT. 5 lbs.



ADJUSTABLE HEIGHT ARMS

FPPADJ1 with a regular cylinder, holds monitors up to 15 lbs.
SHIPPING WT. 8 lbs.

FPPADJ1XX with a heavy-duty cylinder, holds monitors up to 30 lbs.
SHIPPING WT. 8 lbs.