

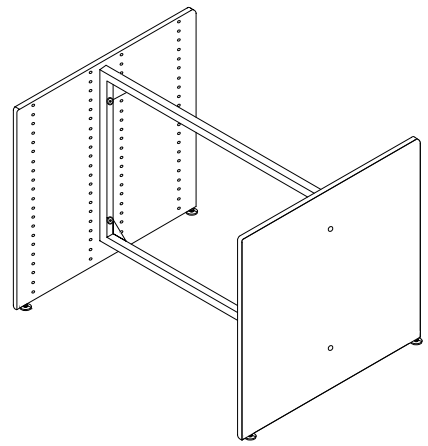


# BRETFORD

## LEGACY COLLECTION Assembly Instructions

# BOOKSHELF ADD-ON

### 29", 36", 42" & 48" High



#### PARTS LIST

Qty	Description
1	Middle Panel
1	Metal Frame
1	Mounting Bracket

#### HARDWARE LIST

Qty	Description
2	Glides (3 for Double Face Models)
4	1/4-20 x 1 7/16" Joint Bolt
1	1/4-20 x 2-1/2" LC Hex Head Lag Screw

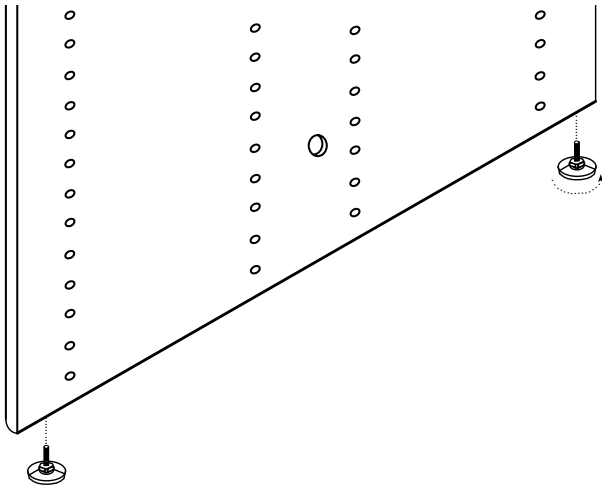
#### WARNING:

All single face shelving units should be affixed to the wall. Use the wall/floor mounting bracket (WFMK-PB) provided.

#### NOTE:

The Bookshelf described in this sheet should be assembled before any other part of the Legacy Collection.

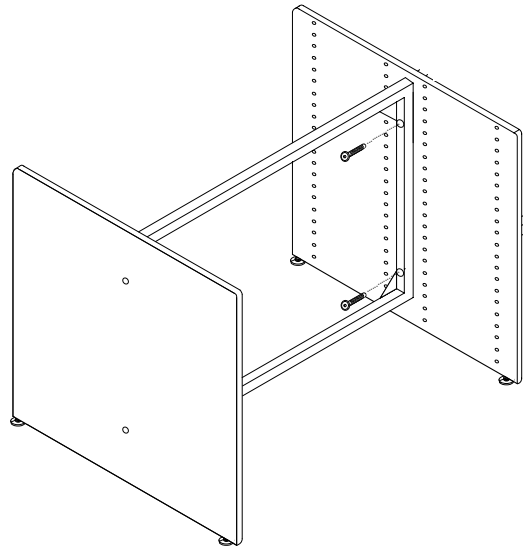
### STEP 1



Fully install glides on the bottom of the end panel.

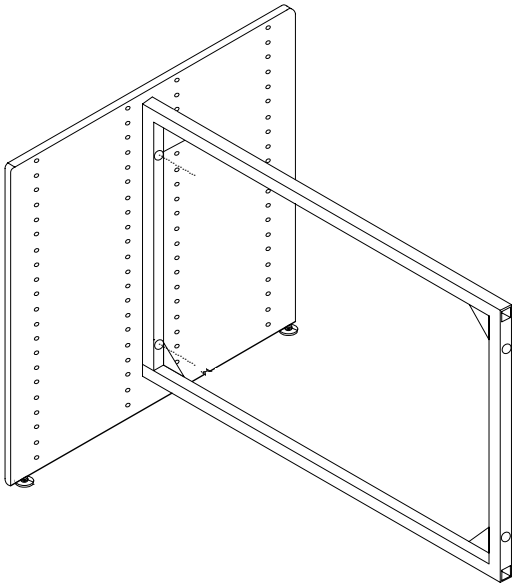
NOTE: Double faces models use 2 Glides.

### STEP 2



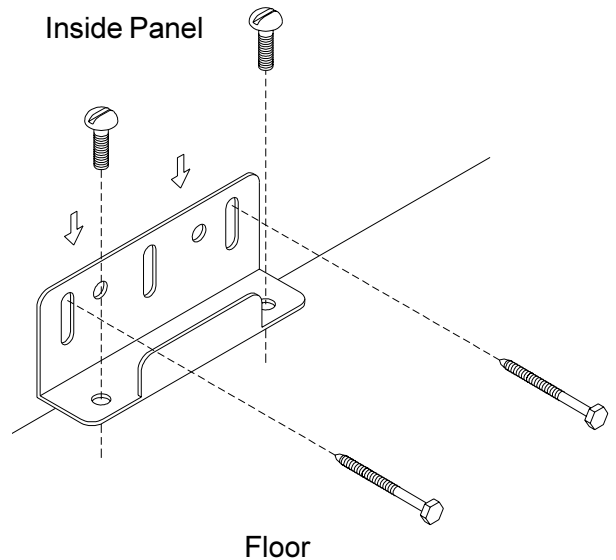
If necessary, remove starter end panel and any shelves from your unit. **LOOSELY** attach middle panel to frame with 1/4"-20 x 1 7/16" Joint bolts provided as shown.

### STEP 3



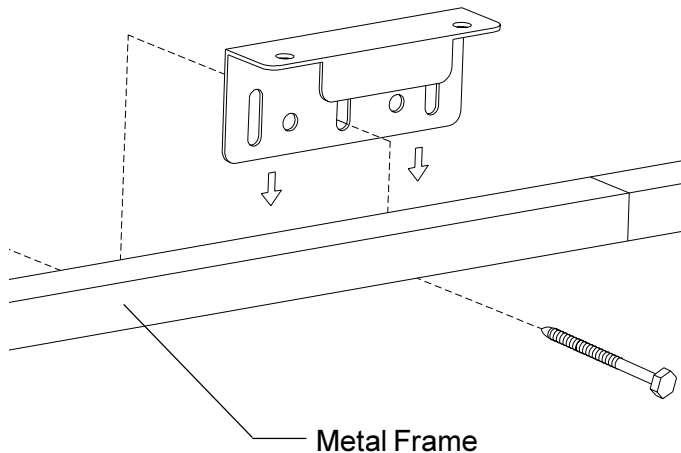
Install frame to the other side of the middle panel through the bolts already installed in the previous step. **TIGHTEN** bolts. If this is your last section, reattach the starter panel taken off in step 2.

### STEP 4 (For Single & Double Sided Units)



Position bracket on inside of panel along the floor. Center the bracket on the panel and secure to floor. Attach bracket to unit through slots using two wood screws.

Wall



### STEP 5 (For Single Sided Units)

Slide bracket over center of frame. Attach to wall through center slot of bracket using 1/4-20 x 2-1/2" Hex Head Lag Screw.. (If securing to dry wall, place a thin wood blocker between wall and bracket.)

**NOTE:** For installing multiple add-on units keep repeating these steps. When finished reinstall starter panel that was originally removed.

**Bretford**  
11000 Seymour Avenue  
Franklin Park, IL 60131  
TEL: 847.678.2545  
800.521.9614  
FAX: 847.678.0852  
800.343.1779

**Bretford Ltd.**  
Technology House  
2 Etongate, 110 Windsor Road  
Slough, Berkshire SL1 2JA England  
TEL: 01753 53 99 55  
FAX: 01753 53 94 78

[www.bretford.com](http://www.bretford.com)

PART #AI 1005  
Rev. 07.22.05 CH