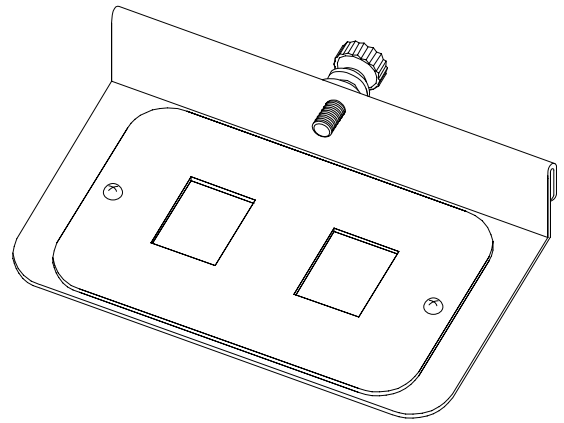


35PBDCLP POWERBAR® DATA CLIP

Assembly Instructions



Parts List

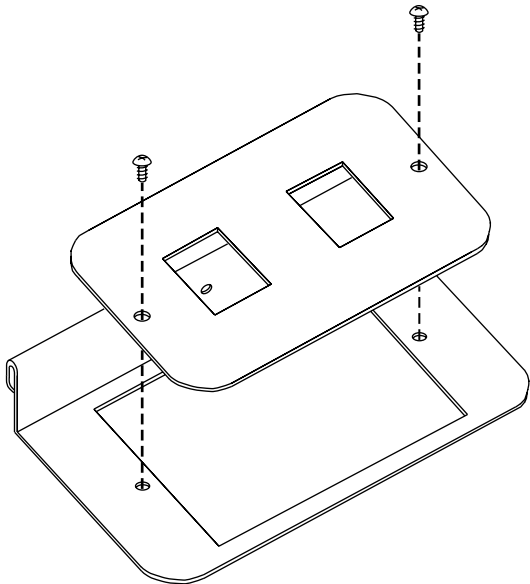
Qty.	Part No.	Description
2	010-2940	Data Clip
2	010-2919	Face Plate, Data Clip (with knockouts)

Hardware List

Qty.	Ref	Part No.	Description
4	AA	02115	#6-32 x 1/4" Type "B" Phillips Head Screw
2	BB	030-0433	#10-32 x 1/2" Finger Screw
2	CC	030-0465	Washer, Nylon

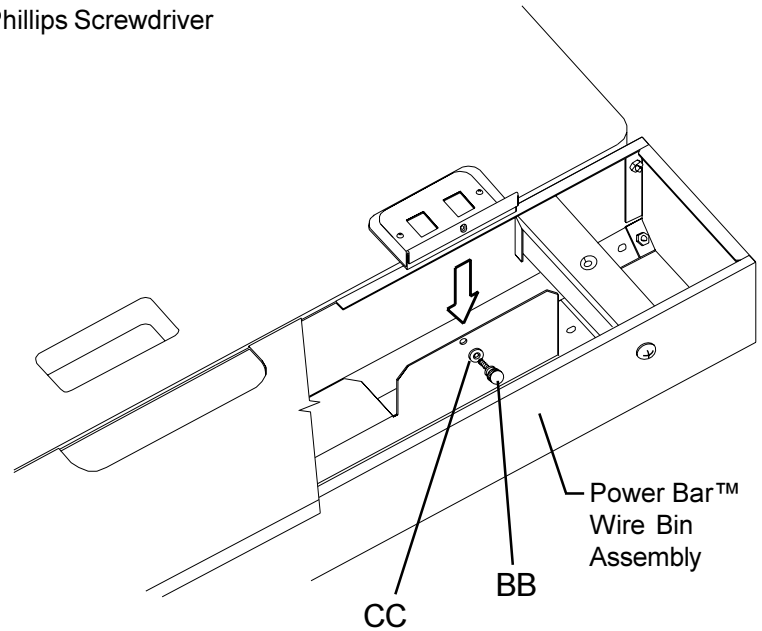
Tools Required

Phillips Screwdriver



Step 1

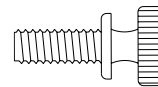
Place the face plate onto data clip as shown and install #6-32 self tapping screws (AA).



(Partial View)

Step 2

Align the data clip mounting hole with the Power Bar™ wire bin divider bracket mounting hole as shown. Insert #10-32 finger screw (BB) and nylon washer (CC) and tighten.



Bretford
11000 Seymour Avenue
Franklin Park, IL 60131
TEL: 847.678.2545
800.521.9614
FAX: 847.678.0852
800.343.1779

Bretford Ltd.
Technology House
7 Lake End Court, Taplow
Bucks SL6 0JQ England
TEL: 01628 603558
FAX: 01628 604923