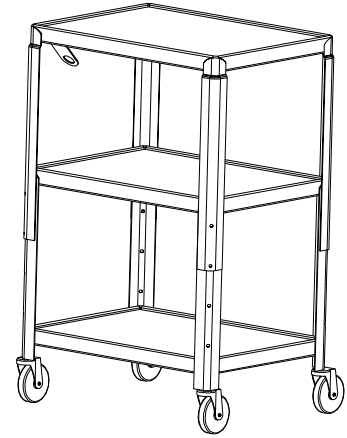




BRETFORD

A26TG42E-GM ADJUSTABLE CART Assembly Instructions



PARTS LIST

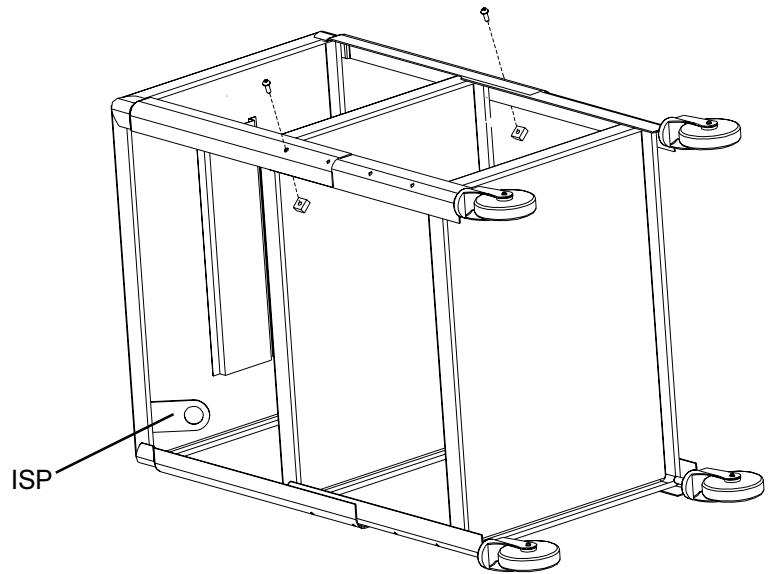
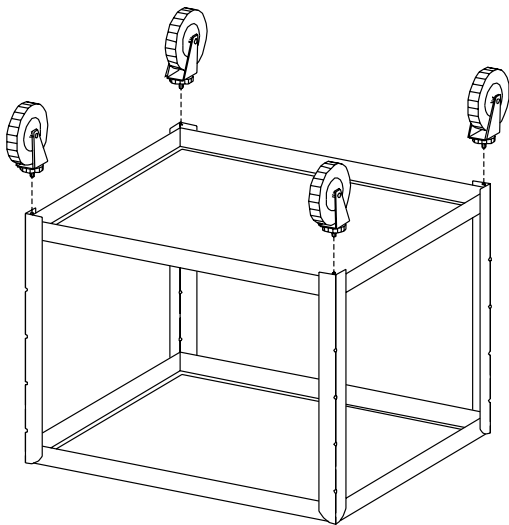
Qty	Part#	Description
1	022-2159	Top Section w/ ISP
1	022-1099	Bottom Section
2	015-0002	4" Casters w/o Lock
2	015-0003	4" Casters w/ Lock
1	TG6	6' Cable System

HARDWARE LIST

Ref	Qty	Part#	Description
AA	4	030-0253	1/4-20 x 3/4" Combo Screws
BB	4	030-0120	1/4-20 Square Nuts

TOOLS REQUIRED

Phillips Screwdriver
Rubber Mallet

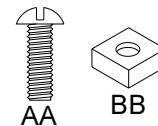


STEP 1

Turn bottom base over and push each caster into the corner sockets. If casters do not insert easily, a rubber mallet may be used to tap casters into place. **MAKE SURE CASTERS ARE SECURELY IN PLACE.**

Lay both top and bottom assemblies on their sides. Slide the top assembly over the bottom. Attach together using screws **(AA)** and nuts **(BB)** as shown. **NOTE:** Adjustments of the cart range from 26" to 42" at 4" increments.

NOTE: SEE INSTRUCTION SHEET TGSCA FOR SECURITY CABLE SYSTEM INSTALLATION.



Bretford
11000 Seymour Avenue
Franklin Park, IL 60131
TEL: 847.678.2545
800.521.9614
FAX: 847.678.0852
800.343.1779

Bretford Ltd.
Technology House
7 Lake End Court, Taplow
Bucks SL6 0JQ England
TEL: 01628 603558
FAX: 01628 604923

www.bretford.com

Part#031-4815
11.30.01 IM