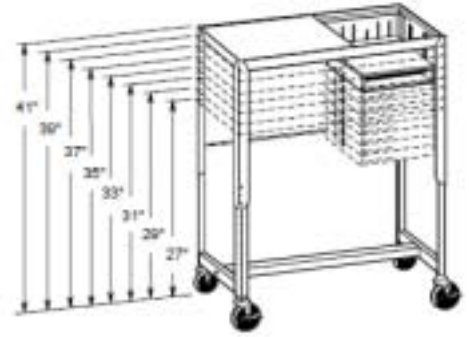


## AOH2741 Adjustable Overhead Projector Table Assembly Instructions

Please read these Instructions thoroughly before assembling your new Bretford product.



### STEP 1

Secure the two Leg Assemblies (**B**) together with the Connection Bar (**F**) by using (2) Hex Head Screws (**EE**) and (2) Lock Nuts (**CC**). This makes the H-Frame bottom section.

Lay the table on a clean flat surface with the top section (**A**) flat and the H-Frame bottom section facing up. (See figure 1) The table is height-adjustable from 27" to 41" (with casters installed). To assemble, pull the lower section of the table up to the desired height, insert a 3/4" round head screw (**AA**) into the height-adjustment hole from the outside and fasten with a square nut (**BB**). Install remaining screws and nuts to all other legs of the table. Tighten securely.

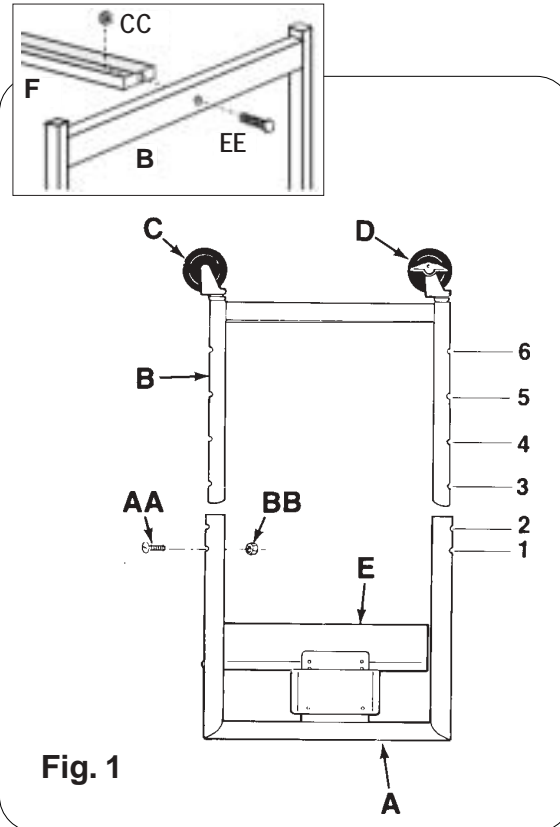


Fig. 1

### STEP 2

Insert the casters (**C,D**) into the sockets at the base of each leg.

### STEP 3

The projector shelf has been pre-assembled at the factory but can be adjusted to the desired height once the table is assembled. To adjust the projector shelf (**E**), determine the desired height, remove the screws (**DD**) holding the shelf in place, slide the shelf into position, and replace the screws. (See figure 2) Tighten all screws securely before placing your overhead projector in position. Attach the optional electrical unit assembly to the table using the screws and wing nuts provided.

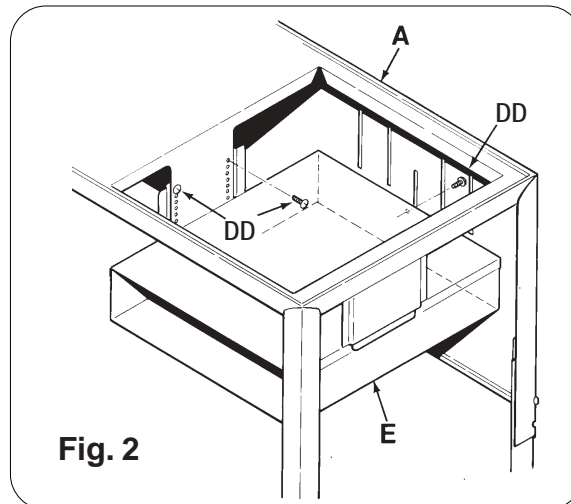


Fig. 2

### PARTS LIST

QTY	PART NUMBER	DESCRIPTION
A (1)	022-1695	Top Section Assembly
B (2)	022-1694	Side Leg Assemblies
C (2)	015-0002	4" Swivel Caster
D (2)	015-0003	4" Swivel Caster with brake
E (1)	022-1638	Projector Shelf Assembly
F (1)	010-2336	Leg Assembly Connecting Bar

### HARDWARE

QTY	PART NUMBER	DESCRIPTION
AA (8)	030-0253	3/4" Combo. Round Head Screw
BB (8)	030-0120	1/4-20 Square Nut
CC (2)	030-0421	5/16-18 Hex Lock Nut
DD (5)*	030-0325	1/2" Combo Truss Head Screw
EE (2)	030-0307	5/16-18 x 5/8" Hex Head MS

\*installed in projector shelf at factory

Bretford  
11000 Seymour Avenue  
Franklin Park, IL 60131  
TEL: 847.678.2545  
800.521.9614  
FAX: 847.678.0852  
800.343.1779

Bretford Ltd.  
Technology House  
7 Lake End Court, Taplow  
Bucks SL6 0JQ England  
TEL: 01628 603558  
FAX: 01628 604923