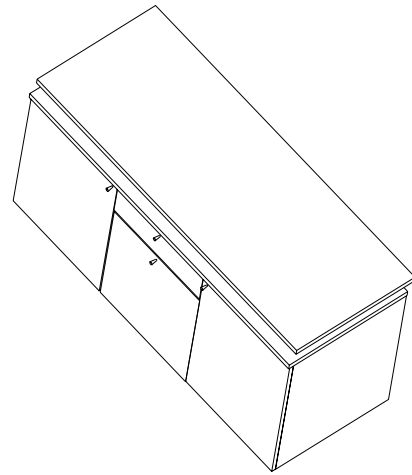




## CREDENZA

### Models:

TCRA37XSU TCRA32FSU  
TCRA66WSU TCRA56FSU  
TCRA99WSU TCRH25XSU  
TCRH27FSU TCRH47WSU  
TCRH43FSU TCRH76WSU

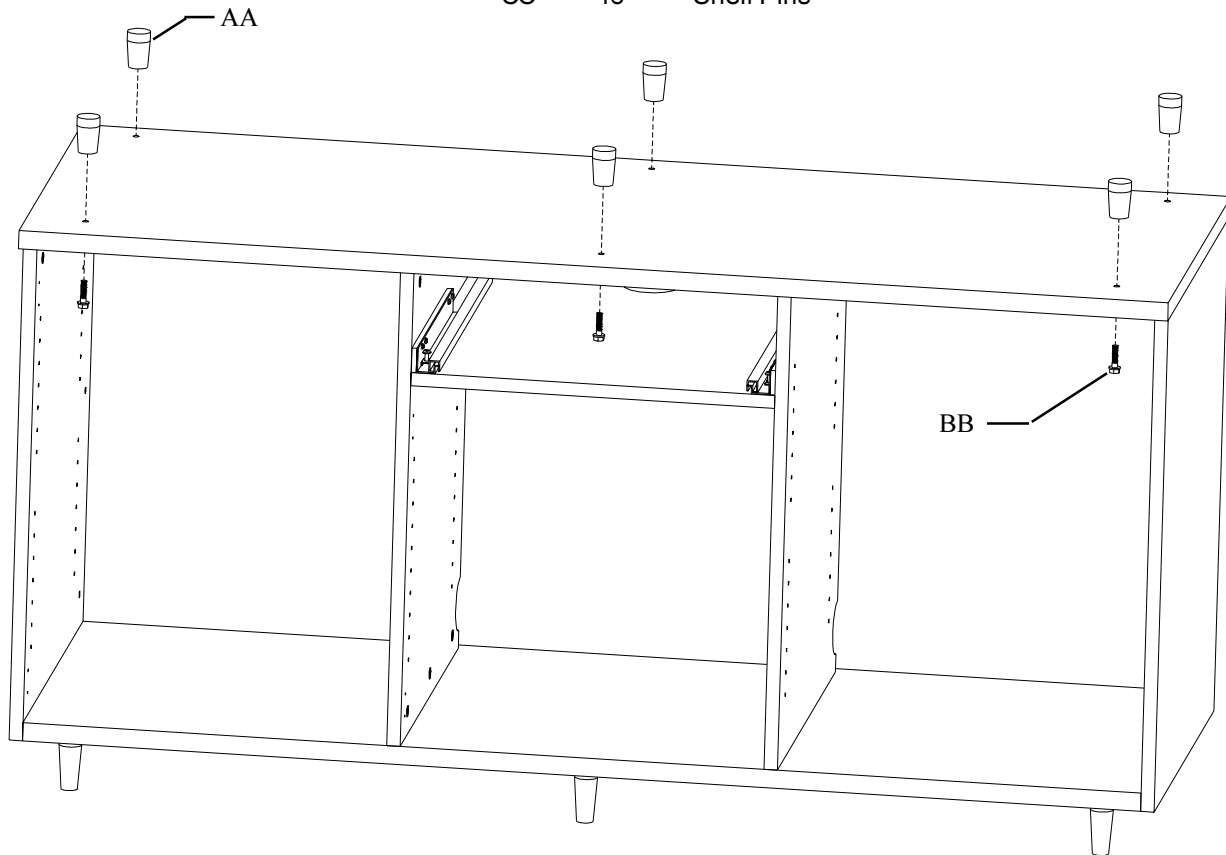


### PARTS LIST

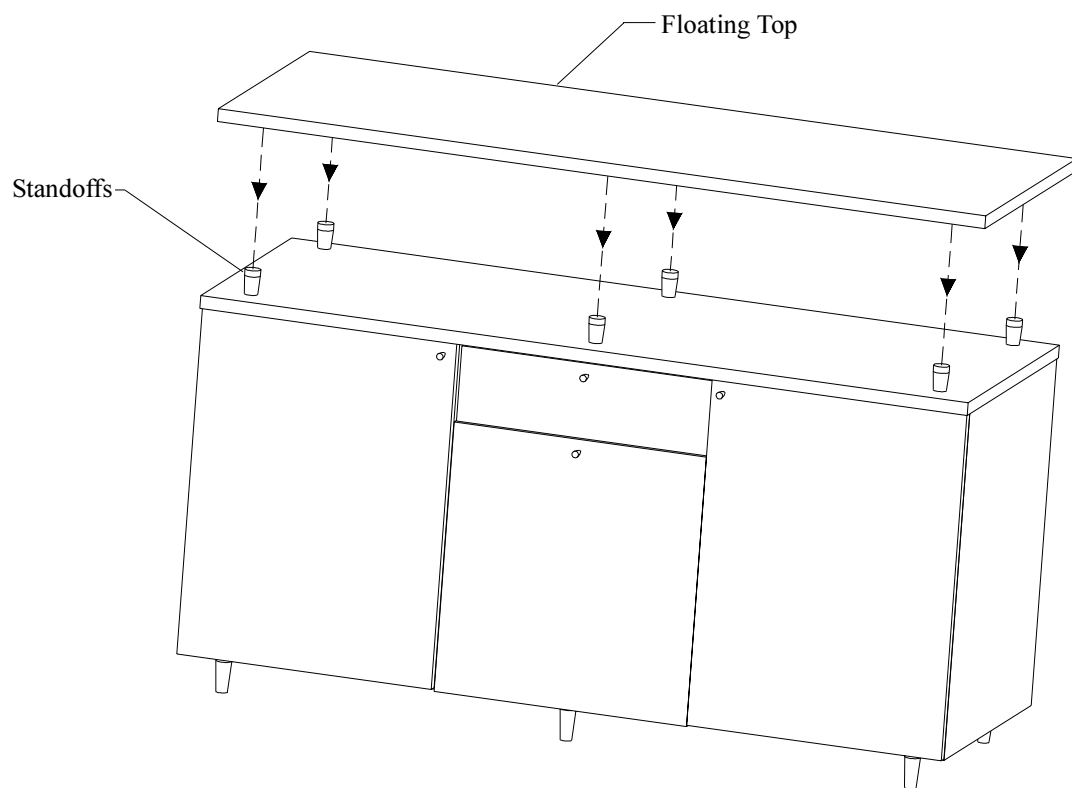
Qty	Description
1	Credenza
1	Floating Top

### HARDWARE LIST

AA	6	Standoffs
BB	6	5/16-18 x 1" Hex Head Machine Screw
CC	16	Shelf Pins

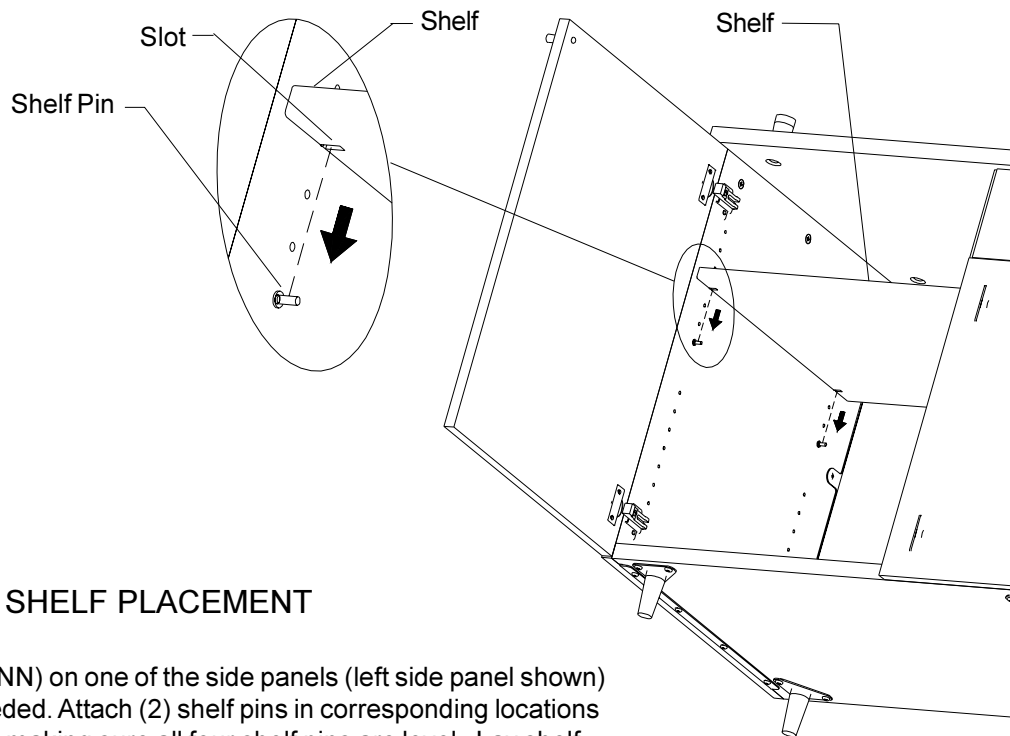
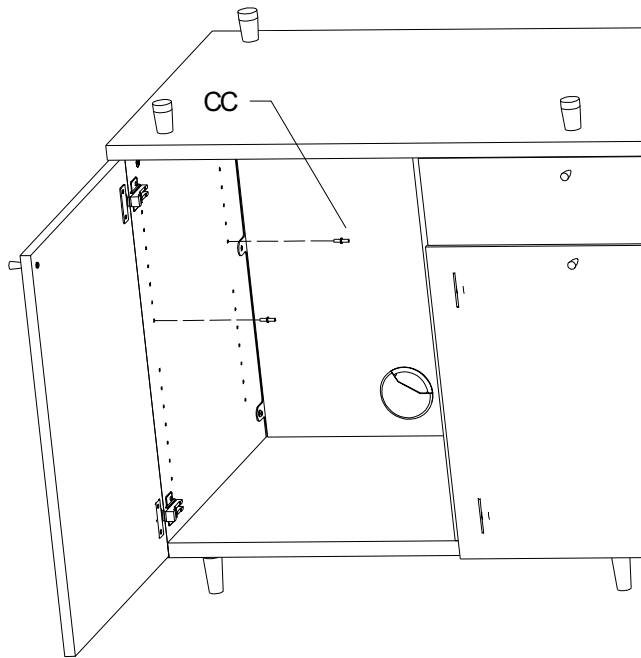


**STEP 1 (Used on models with "FSU" & "WSU" Suffix)**  
Attach Standoffs (AA) to top panel with Bolts (BB) as shown.



**STEP 2 (Used on models with “FSU” & “WSU” Suffix)**

Lay the Floating Top down while aligning the (6) holes in the Floating Top with the (6) Standoffs.



## SHELF PLACEMENT

Attach (2) shelf pins (NN) on one of the side panels (left side panel shown) where the shelf is needed. Attach (2) shelf pins in corresponding locations on the opposite panel making sure all four shelf pins are level. Lay shelf down so that the shelf slots rest on shelf pins. Follow the same steps to install shelves in other locations.

**Bretford**  
 11000 Seymour Avenue  
 Franklin Park, IL 60131  
 TEL: 847.678.2545  
 800.521.9614  
 FAX: 847.678.0852  
 800.343.1779

**Bretford Ltd.**  
 Technology House  
 2 Etongate, 110 Windsor Road  
 Slough, Berkshire SL1 2JA England  
 TEL: 01753 53 99 55  
 FAX: 01753 53 94 78

[www.bretford.com](http://www.bretford.com)

Part#031-6266  
 Rev. 10.07.05 CZ