

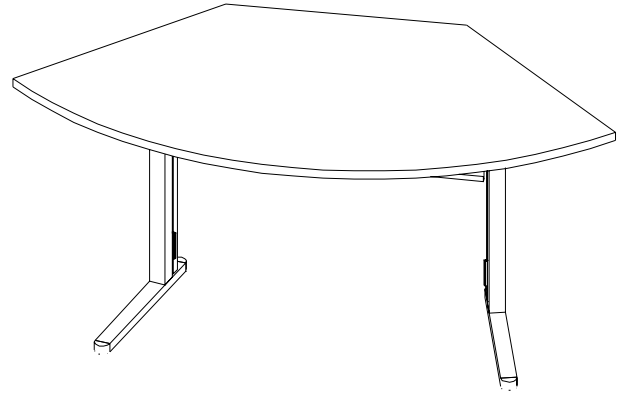


BRETFORD

CR8506

FOLDING QUARTER ROUND TABLE

Assembly Instructions

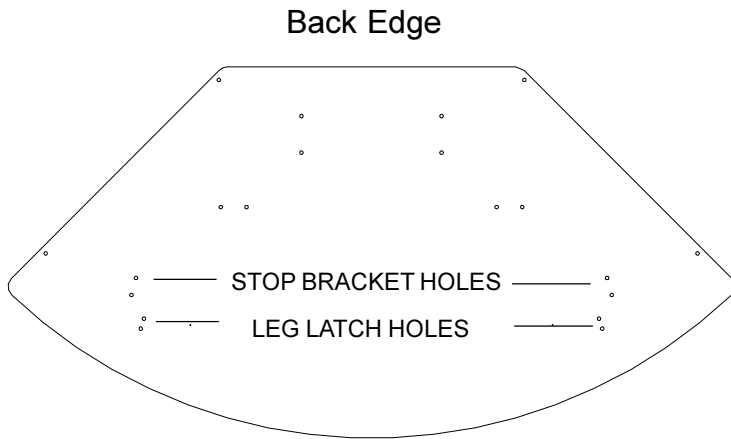


PARTS LIST

Qty	Part#	Description
1	SA1886	Wood Top - Grey
	SA1886WC	Wood Top - Wild Cherry
1	022-1603	Frame Assembly
1	022-1625	Handle

HARDWARE LIST

Ref	Qty	Part#	Description
AA	2	010-2148	Leg Latches
BB	2	010-2151	Stop Brackets
CC	16	030-0402	#10-32x5/8" Screws
DD	2	010-2365	Connector Brackets
EE	2	030-0444	Black Knobs



Front Edge

FIGURE 1

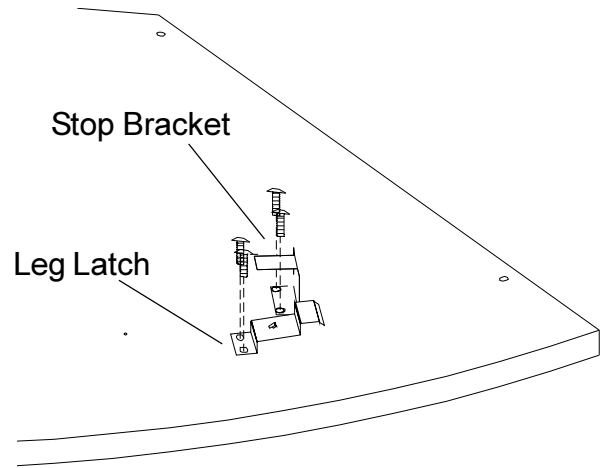
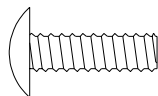
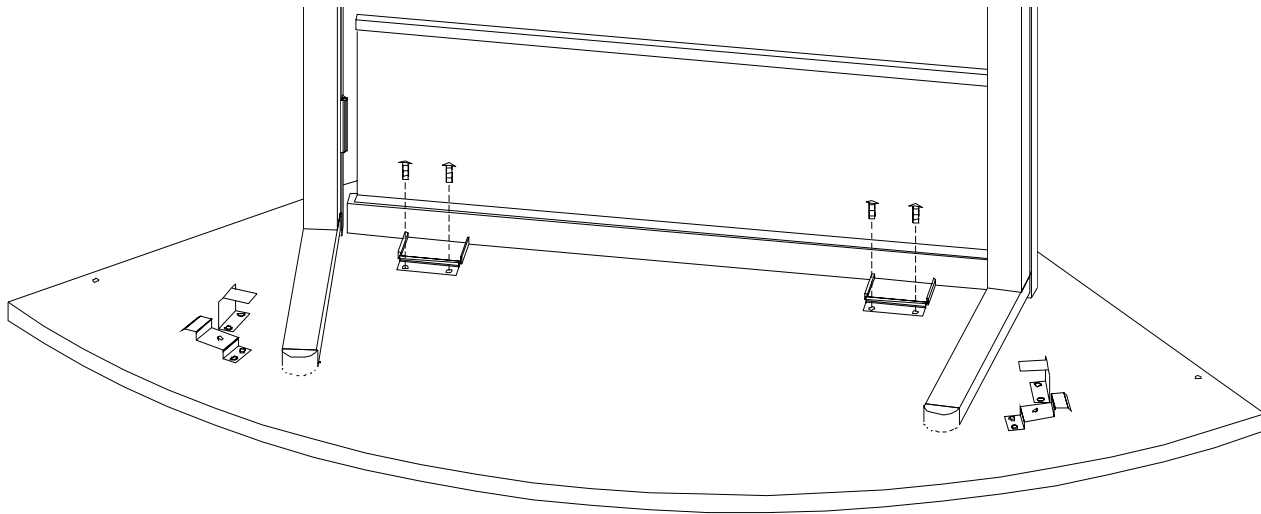


FIGURE 2

STEP 1

Lay the wood top on a clean flat surface with holes facing upward and orientated as shown in Figure 1. Loosely attach the leg latches (AA) and stop brackets (BB) to each side of the top with screws (CC) as shown in Figure 2. **DO NOT FULLY TIGHTEN SCREWS.**





STEP 2

Align frame assembly with legs turned in slightly on wood top as shown. Loosely attach to top with screws (CC).

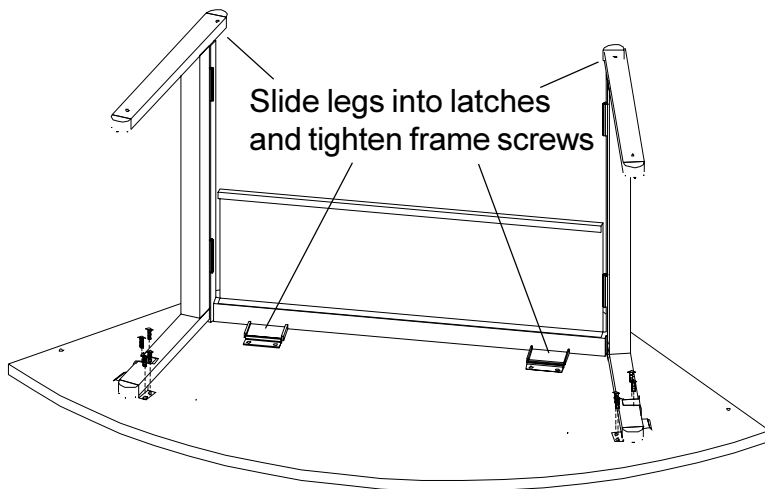


FIGURE 3

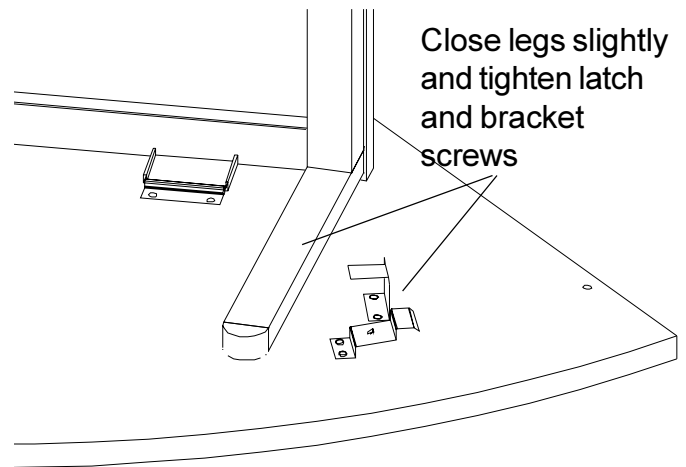
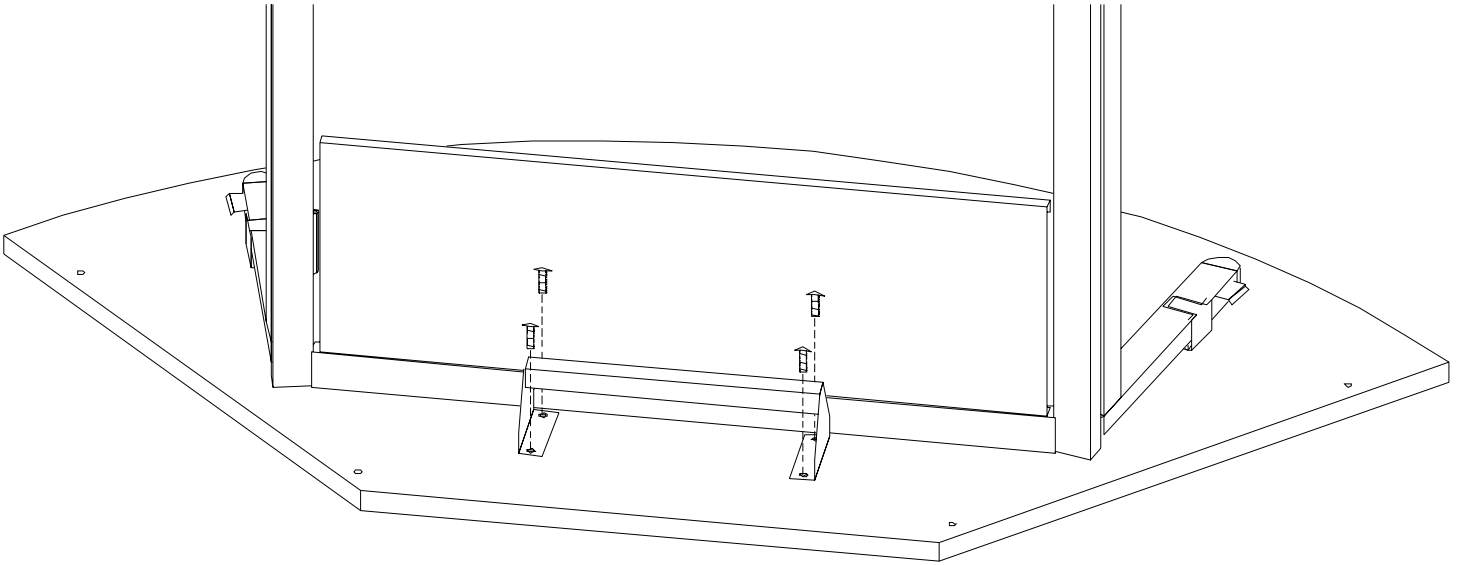


FIGURE 4

STEP 3

Slide legs into leg latches. **FULLY TIGHTEN FRAME SCREWS ONLY. (Figure 3)**
 Then hold down latches and close legs slightly. **FULLY TIGHTEN LATCH AND BRACKET SCREWS. (Figure 4)**

CAUTION: To avoid pinching hand or fingers in hinge, open legs by pulling on the front arm.

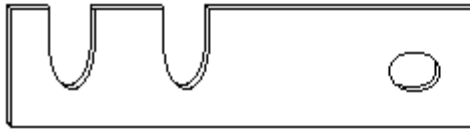


STEP 4

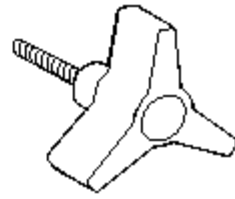
Attach handle to the back edge of wood top with screws (CC) as shown.

CAUTION: When storing or setting up table, always turn it over onto the top before releasing and folding legs.

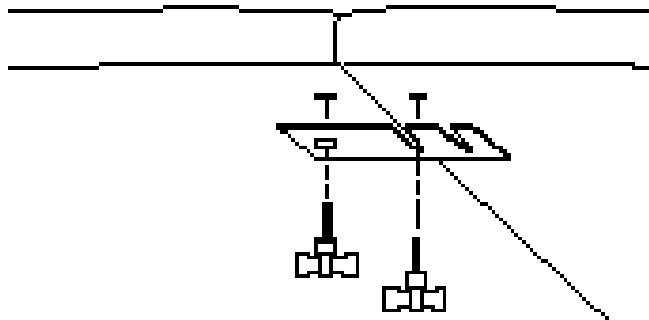
CONNECTOR BRACKET ASSEMBLY



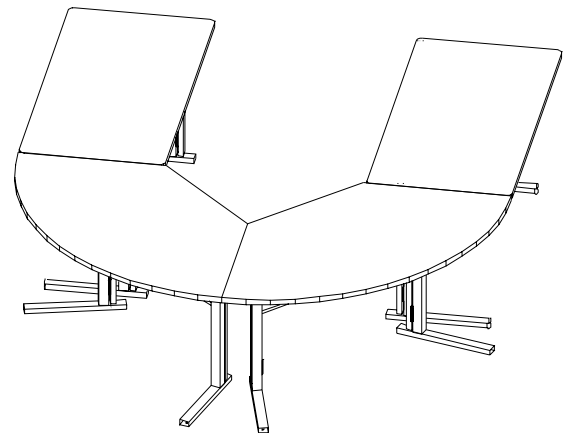
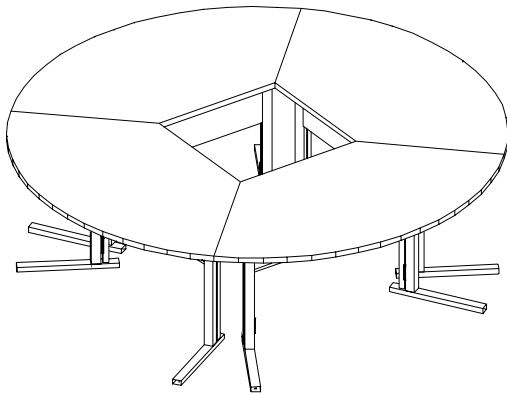
DD



EE



Insert one knob through the bracket hole and one knob through the first notch. The position of the bracket can be as shown or flipped around, but still use the first notch.



Bretford
11000 Seymour Avenue
Franklin Park, IL 60131
TEL: 847.678.2545
800.521.9614
FAX: 847.678.0852
800.343.1779

Bretford Ltd.
Technology House
2 Etongate, 110 Windsor Road
Slough, Berkshire SL1 2JA England
TEL: 01753 53 99 55
FAX: 01753 53 94 78