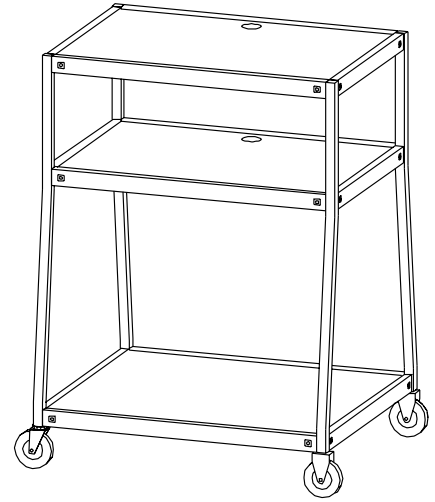


## BBUL44 UL-LISTED MONITOR STAND Assembly Instructions



**CAUTION:** The top shelf is intended to support up to and including TV viewing monitors having a diagonal screen size of 27" and whose overall dimensions allow it to sit evenly on the shelf with the front face of the monitor not extending beyond the front of the shelf. Use of any other size monitors may result in instability causing possible injury.

### PARTS LIST

Qty	Part#	Description
2	010-1891	Top & Middle Shelves
1	010-1892	Bottom Shelf
1	022-1528	Left Rear Leg Assembly
1	022-1529	Left Front Leg Assembly
1	022-1553	Right Front Leg Assembly
1	022-1554	Right Rear Leg Assembly
2	015-0002	4" casters w/o Lock
2	015-0079	Casters Wheel
1	SB	Safety Belt

### HARDWARE LIST

Ref	Qty	Part#	Description
AA	24	030-0300	5/8" Square Head Bolts
BB	24	030-0002	5/16-18 Serrated Nuts
CC	2	030-0388	5/16-24 x 1.732" Bolts
DD	2	030-0389	5/16-24 Lock Nuts
	1	010-1106	Hex Wrench

### TOOLS REQUIRED

Hex Wrench (provided)  
Adjustable Wrench  
Rubber Mallet

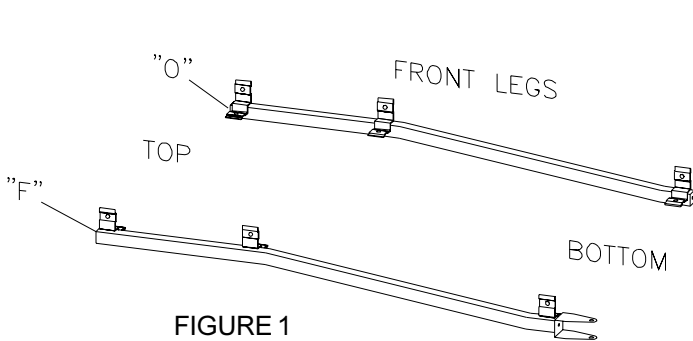


FIGURE 1

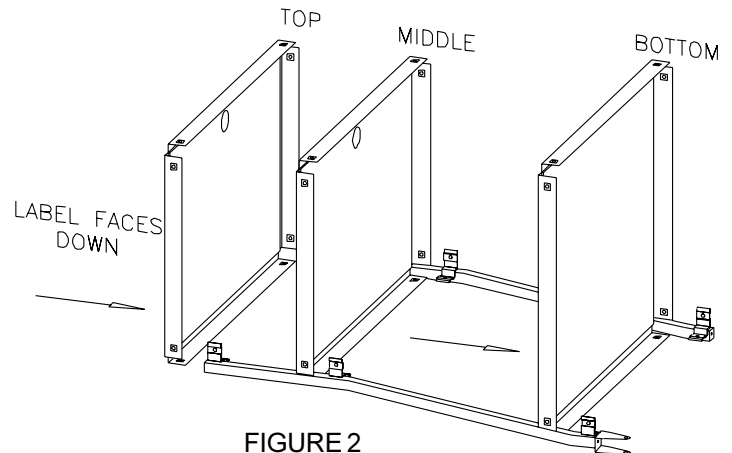
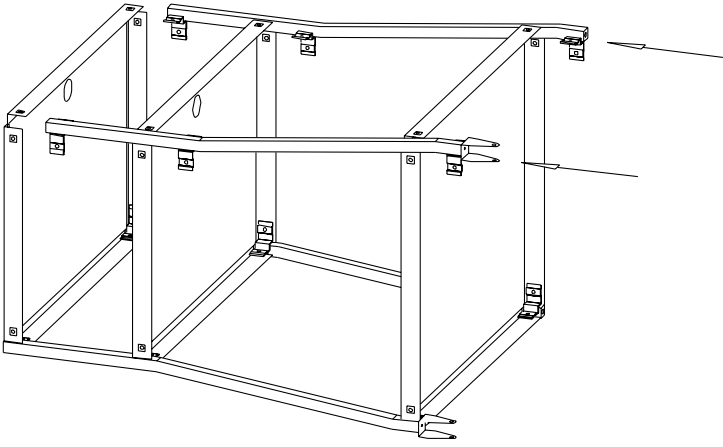


FIGURE 2

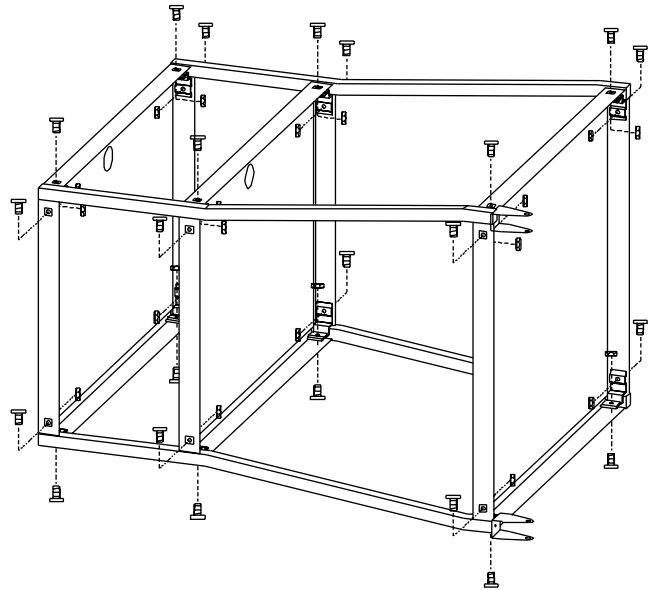
### STEP 1

Position the front legs (stamped "O" and "F") with the brackets facing up and in as shown in **FIGURE 1**. Slide each shelf onto the legs making sure the brackets are inside of the shelves as shown in **FIGURE 2**. **NOTE:** The grommet holes should face up.



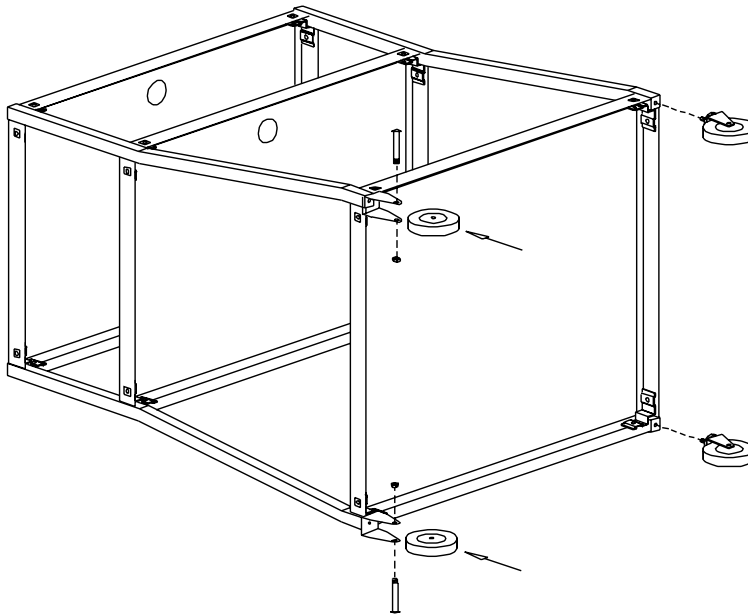
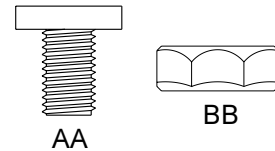
## STEP 2

Slide the 2 remaining legs onto the shelves as shown. Make sure the brackets are inside the shelves.



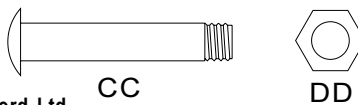
## STEP 3

Secure each corner of the shelves with bolts (AA) and nuts (BB) as shown.



## STEP 4

Attach each caster wheel to the right front and rear legs with bolts (CC) and nuts (DD) as shown. Push each caster into the socket in the left front and rear legs. To ensure casters are secure in sockets, a rubber mallet may be used to tap the casters in place. Once both casters are securely in place, stand unit upright.



**Bretford**  
11000 Seymour Avenue  
Franklin Park, IL 60131  
TEL: 847.678.2545  
800.521.9614  
FAX: 847.678.0852  
800.343.1779

**Bretford Ltd.**  
Technology House  
7 Lake End Court, Taplow  
Bucks SL6 0JQ England  
TEL: 01628 603558  
FAX: 01628 604923

[www.bretford.com](http://www.bretford.com)

Part #031-1366  
Rev. 10.23.96 CH