



# BP26 BP34 BP42 BPDUO

## PLASTIC UTILITY CARTS

### Assembly Instructions

#### Model #BP34

Qty	Part#	Description
4	012-0372	18.5" Bottom Leg
4	012-0369	6.5" Top Leg
1	012-0366	Top Shelf
1	012-0367	Middle Shelf
1	012-0368	Bottom Shelf
2	015-0002	4" Swivel Casters
2	015-0003	4" Swivel casters w/Brake

#### Model #BP26

Qty	Part#	Description
4	012-0372	18.5" Bottom Leg
1	012-0366	Top Shelf
1	012-0368	Bottom Shelf
2	015-0002	4" Swivel Casters
2	015-0003	4" Swivel Casters w/Brake

#### Model #BP42

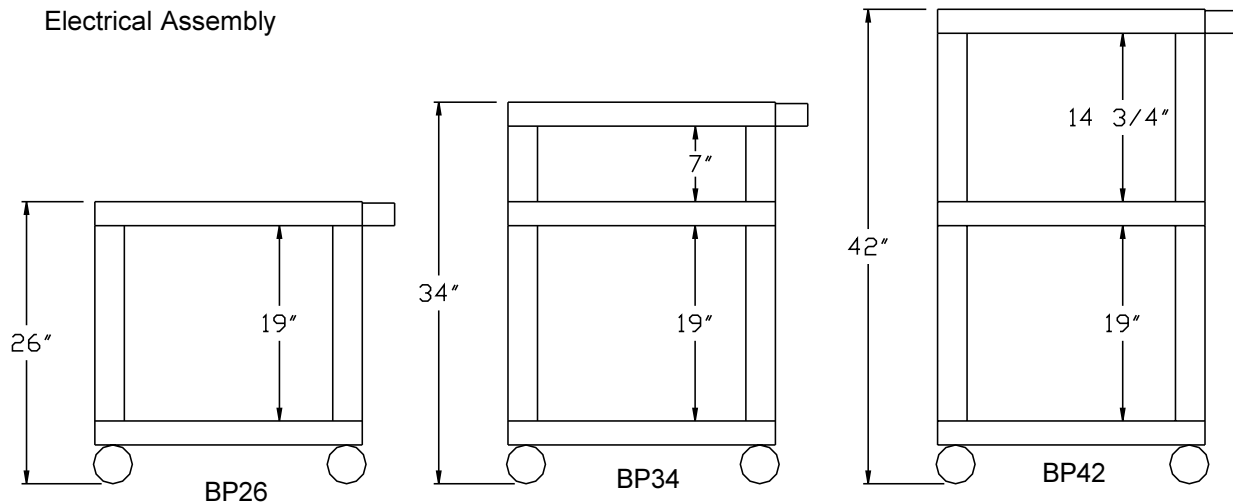
Qty	Part#	Description
4	012-0372	18.5" Bottom Leg
4	012-0371	14.5" Top Leg
1	012-0366	Top Shelf
1	012-0367	Middle Shelf
1	012-0368	Bottom Shelf
2	015-0002	4" Swivel casters
2	015-0003	4" Swivel Casters w/Brake

#### Model #BPDUO

Qty	Part#	Description
4	012-0372	18.5" Bottom Leg
4	012-0369	6.5" Top Leg
4	012-0371	14.5" Top Leg
1	012-0366	Top Shelf
1	012-0367	Middle Shelf
1	012-0368	Bottom Shelf
2	015-0002	4" Swivel Casters
2	015-0003	4" Swivel casters w/Brake

#### Model #BPE

Electrical Assembly



Your Bretford Plastic Utility Table may have (2) or (3) shelves, depending on the model. The BPDUO contains enough parts to assemble a BP26, a BP34 or a BP42. An optional electrical unit, the BPE, is also available. (May be included on some models) The illustration shows a complete diagram for assembling a (3) shelf utility table, and the BPE electrical unit. The assembly for a 2-shelf table (not shown), is essentially the same. Assemble this product on a flat firm surface.

## STEP 1

Remove the shelves, extruded tubes, casters and electrical unit (if included) from the shipping carton. Lay the top shelf (with molded handle) flat with the ribbed side facing up as shown. To install the electrical unit, place it in the formed cavity, with the cord facing the handle, and fasten with the screws provided (the handle serves as a cord winder).

## STEP 2

Refer to picture on opposite page to find which leg tubes are used for upper and lower sections of the table. After sorting the tubes, take one top tube, place it over the formed leg cylinder at the corner of the top shelf and use a rubber mallet (or hammer and block of wood) to pound the tube into place. Make sure the tube is **COMPLETELY SEATED** on the leg cylinder. Repeat procedure to install the remaining tubes.

## STEP 3

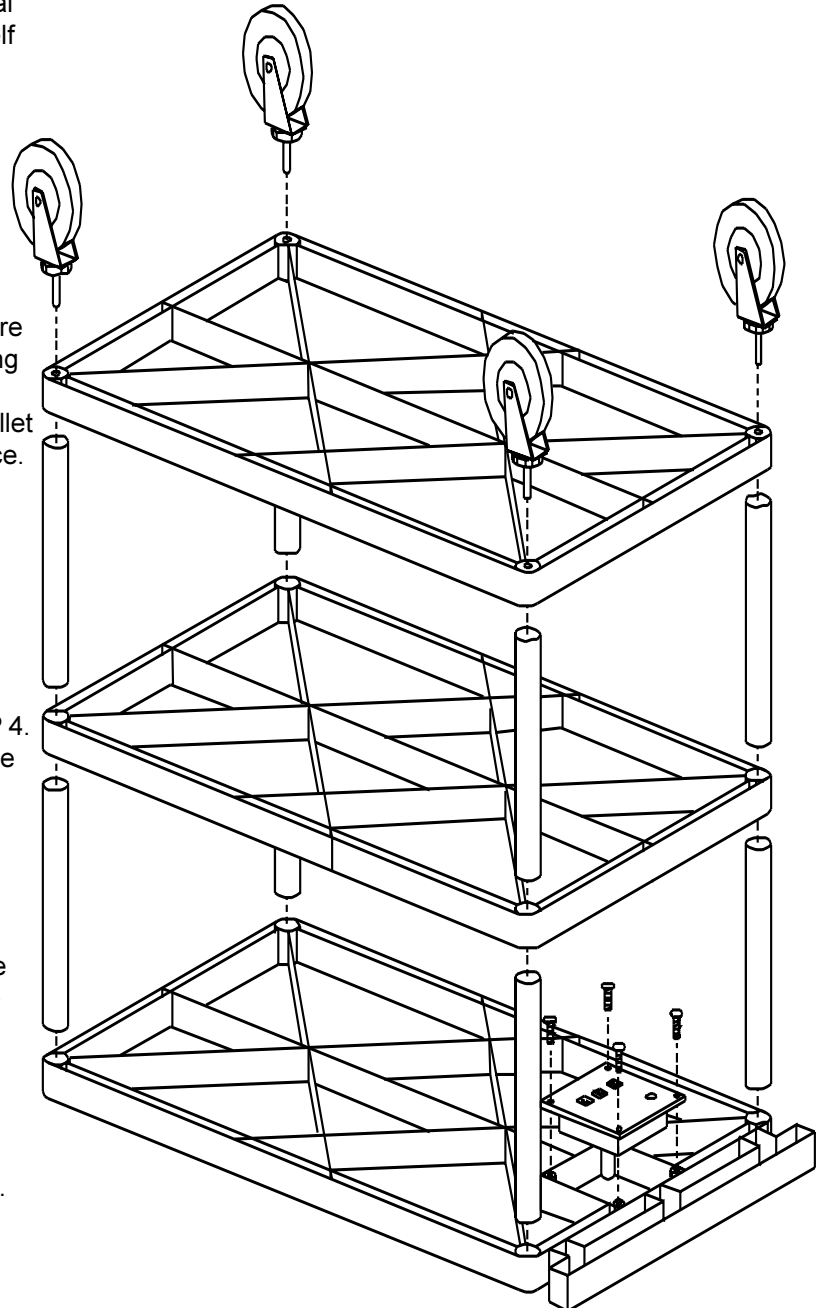
If you have a 2-shelf model, disregard this and go to STEP 4. Place the middle shelf onto the leg cylinders and pound the shelf into place as described in STEP 1.

## STEP 4

Place the remaining leg tubes over the leg cylinders on the middle shelf and pound into place. Repeat STEP 3 for the bottom shelf.

## STEP 5

Insert casters into the formed sockets on the bottom shelf. Tap with a mallet until the casters are fully seated.



*Carefully turn the table over and place it in a upright position. When assembling or disassembling, do not pound on top or bottom of handle.*

**Bretford**  
11000 Seymour Avenue  
Franklin Park, IL 60131  
TEL: 847.678.2545  
800.521.9614  
FAX: 847.678.0852  
800.343.1779

**Bretford Ltd.**  
Technology House  
2 Etongate, 110 Windsor Road  
Slough, Berkshire SL1 2JA England  
TEL: 01753 53 99 55  
FAX: 01753 53 94 78

[www.bretford.com](http://www.bretford.com)

Part#031-1407  
Rev. 06.18.04 CH