



BRETFORD

2642NSKIT

2642NS RETRO FIT SHELF KIT

Assembly Instructions



Parts List

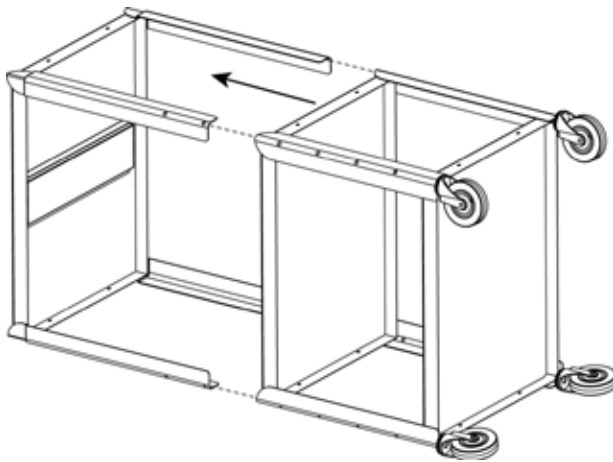
Qty	Part#	Description
1	022-2814	Cart Top Section
1	010-5053	Notebook Shelf
1	030-1191	14" Full Extension Slide

Hardware List

Ref	Qty	Part#	Description
AA	8	030-0312	#6-32 x 1/4" Phillips Truss Screws
BB	8	030-0024	#6-32 Hex Nuts

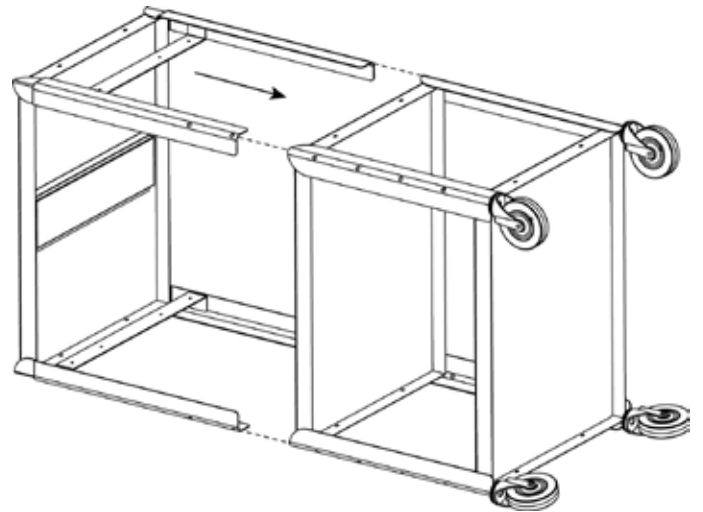
TOOLS REQUIRED

Phillips Screwdriver



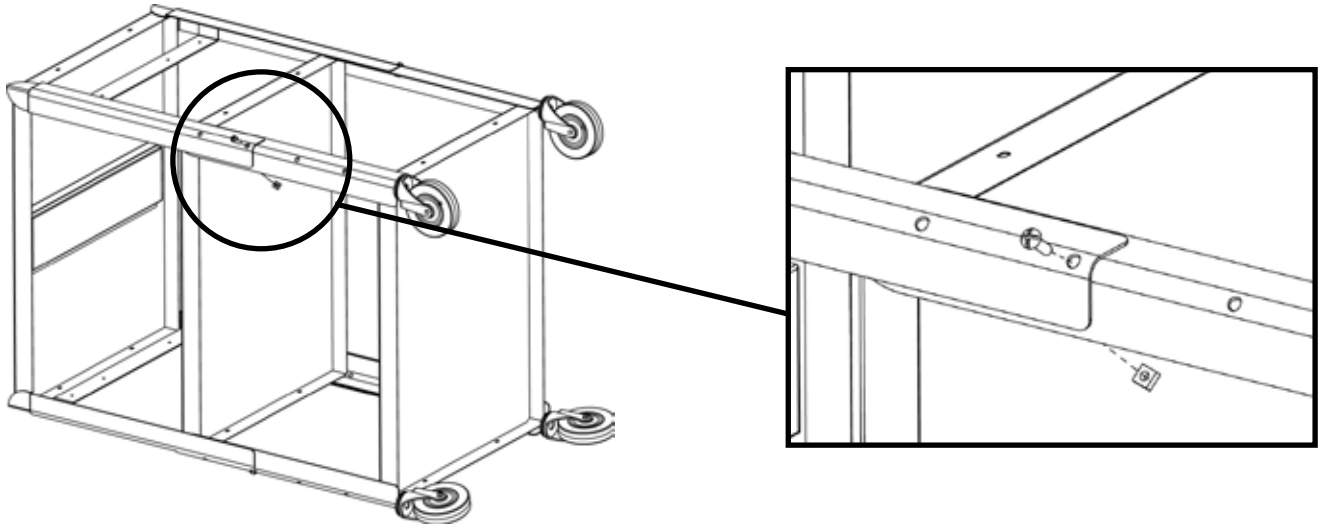
STEP 1

Remove upper section from your existing cart. **DO NOT THROW AWAY HARDWARE. YOU WILL BE REUSING IT.**



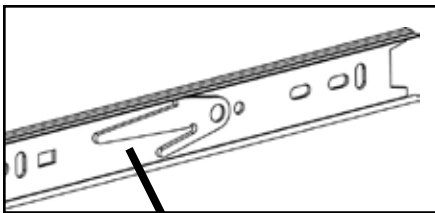
STEP 2

Slide retro fit top section over the bottom as shown.

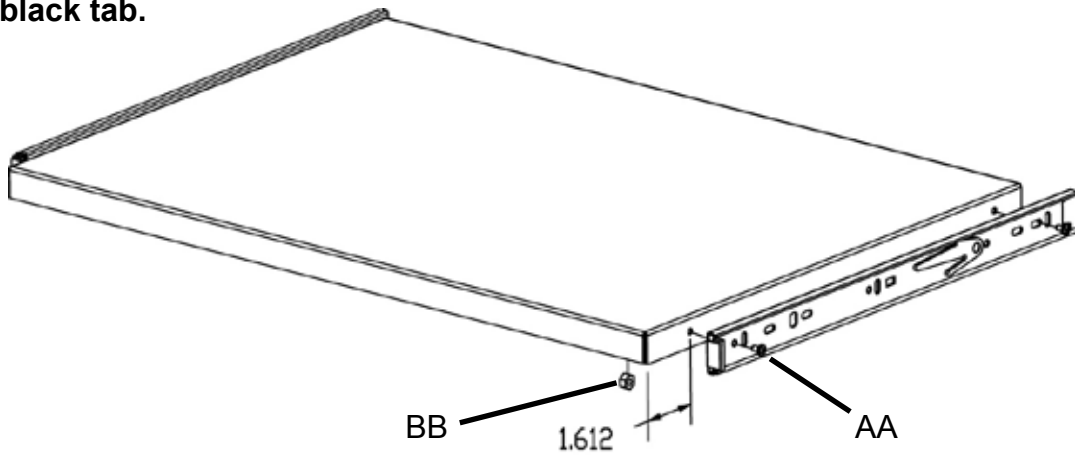


STEP 3

Attach legs together using screws and nuts from existing cart.

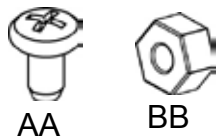


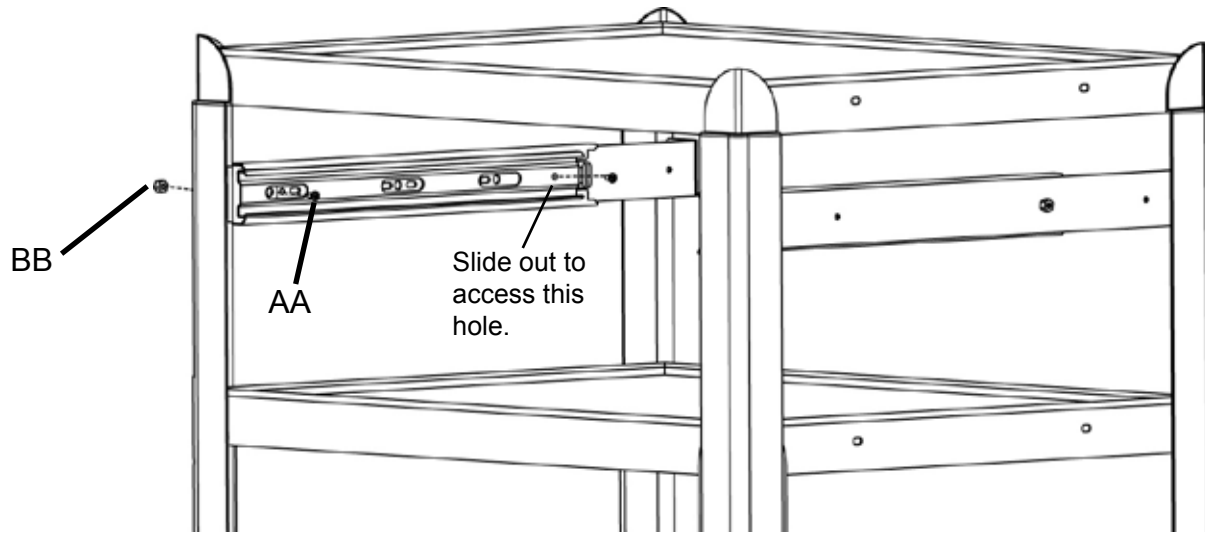
NOTE: Separate slides by pulling on black tab.



STEP 4

Separate each side of the slide. Attach the inner piece to the notebook shelf with screws (AA) and nuts (BB) as shown. **NOTE:** Attaching the slide using the reference dimension will insure your shelf is flush with the front of your cart.





STEP 5

Attach the outer slide piece to the top section bracket with screws (AA) and nuts (BB) as shown. **NOTE:** Make sure the bumper faces inside the cart as shown.



STEP 5

Slide shelf into cart.

Bretford
 11000 Seymour Avenue
 Franklin Park, IL 60131
 TEL: 847.678.2545
 800.521.9614
 FAX: 847.678.0852
 800.343.1779

Bretford Ltd.
 2 Etongate
 110 Windsor Road, Slough
 Berkshire SL1 2JA England
 TEL: 011 44 17 5353 9955
 FAX: 011 44 17 5353 9478

www.bretford.com

Part # 031-7768
 02.25.08 CZ