



CD3569 CD3521 CD3504 CD3515 CD3561 CD3524
 CD3565 CD3525 CD3508 CD3516 CD3562 CD3563
 CD3566 CD3576 CD3584 CD3586

Y Leg Classroom Desk with Glides Assembly Instructions

PARTS LIST

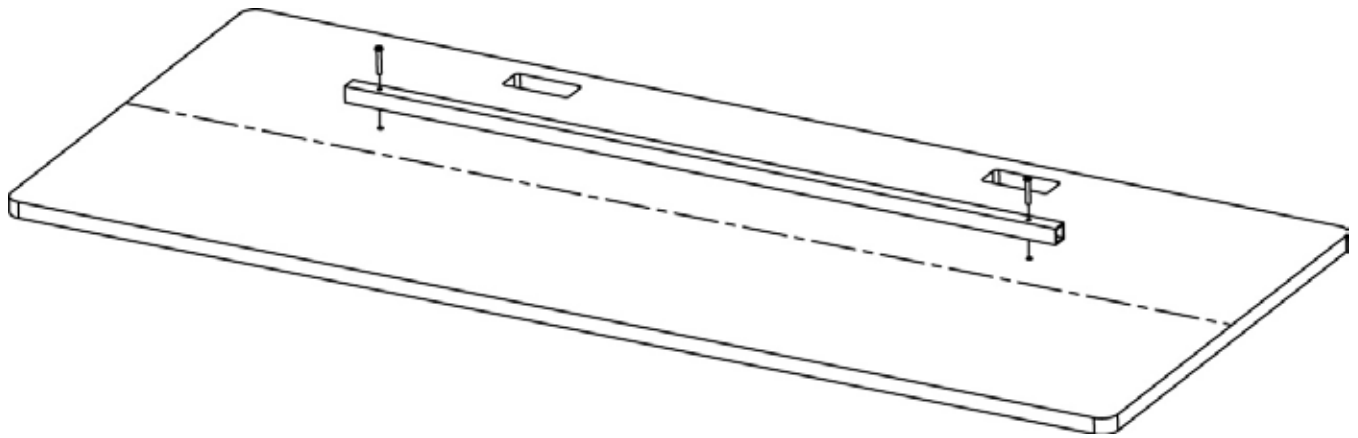
Qty	Part#	Description	Ref.	Qty
1	SA4253	30 x 20 Wood Top - CD3586	AA	12
	SA4265	30 x 24 Wood Top - CD3584	BB	12
	SA4266	30 x 30 Wood Top - CD3576	CC	4
	SA4254	36 x 20 Wood Top - CD3563	DD	4
	SA4228	36 x 24 Wood Top - CD3569	EE	6
	SA4232	36 x 30 Wood Top - CD3521	FF	4
	SA4255	42 x 20 Wood Top - CD3508	GG	2
	SA4229	42 x 24 Wood Top - CD3504		
	SA4233	42 x 30 Wood Top - CD3515		1
	SA4256	48 x 20 Wood Top - CD3562		
	SA4257	54 x 20 Wood Top - CD3566		
	SA4258	60 x 20 Wood Top - CD3516		
	SA4230	60 x 24 Wood Top - CD3561		
	SA4234	60 x 30 Wood Top - CD3524		
	SA4231	72 x 24 Wood Top - CD3565		
	SA4235	72 x 30 Wood Top - CD3525		
2	022-1593	Lower Leg Assembly - For CD3521, 3515, 3524, 3525 & 3576		
	022-1849	Lower Leg Assembly - For CD3569, 3504, 3561, 3565 & 3584		
	022-2600	Lower Leg Assembly - For CD3508, 3516, 3562, 3563, 3566 & 3586		
1	022-2571	Right Upper Leg Assembly - For CD3504, 3515, 3521, 3524, 3525, 3561, 3565, 3569, 3576 & 3584		
	022-2604	Right Upper Leg Assembly - For CD3508, 3516, CD3562, CD3563, CD3566 & CD3586		
1	022-2572	Left Upper Leg Assembly - For CD3504, CD3515, CD3521, CD3524, CD3525, CD3561, CD3565, CD3569, CD3576 & CD3584		
	022-2605	Left Upper Leg Assembly - For CD3508, 3516, CD3562, CD3563, CD3566 & CD3586		
1	010-2321	Modesty Panel - CD3521, 3563 & 3569		
	010-3080	Modesty Panel - CD3504, 3508 & 3515		
	010-2327	Modesty Panel - CD3516, 3561 & 3524		
	010-2706	Modesty Panel - CD3565 & 3525		
	010-2324	Modesty Panel - CD3562		
	010-4621	Modesty Panel - CD3566		
	010-3471	Modesty Panel - CD3576, 3584 & 3586		
1	017-0519	Support Tube - CD3561, CD3524, CD3565 & CD3525		
1	010-4569	Stiffener for Model CD3516 ONLY (Installed to top at factory)		

HARDWARE LIST

Part#	Description
030-0402	10-32 x 5/8" Combo Screws
030-0240	1/4" External Lockwashers
030-0396	3/8-16 x 1/2" Set Screws
030-0325	1/4-20 1/2" Combo Truss Screws
030-0168	#8 x 1/2" Wood Screws
015-0045	Glides
030-0354	10-32 x 1 1/2" Button Screws (60 & 72" Models ONLY)
030-0397	Allen Wrench

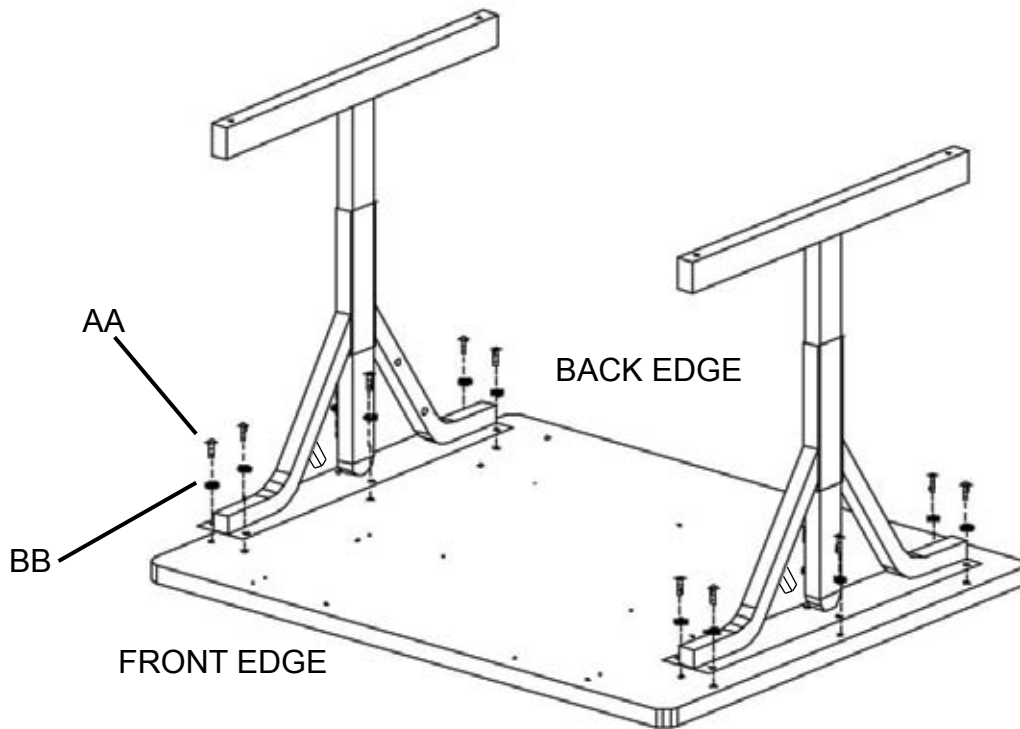
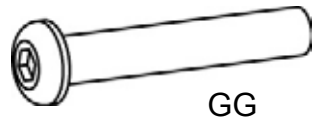
TOOLS REQUIRED

- Phillips Screwdriver
- Rubber Mallet
- Allen Wrench (provided)



STEP 1 - FOR 60" & 72" MODELS ONLY (EXCEPT MODEL CD3516)

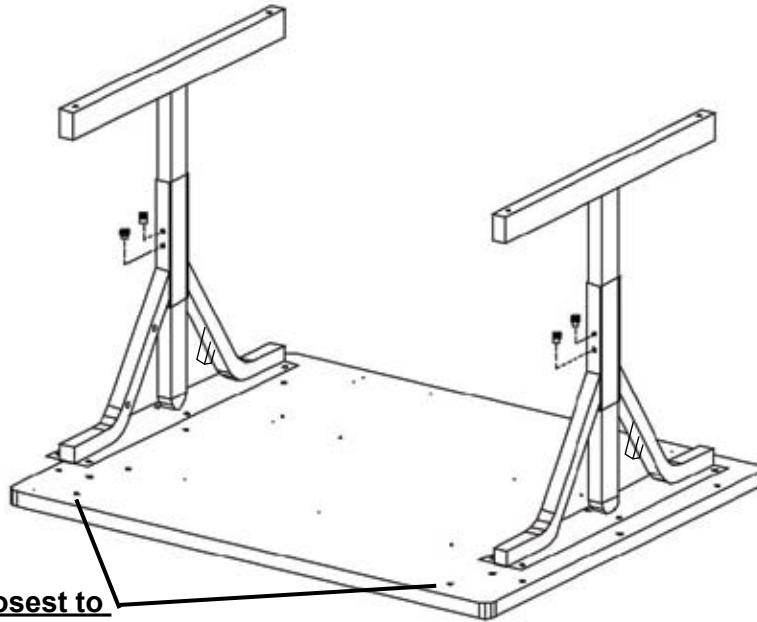
Lay wood top on a carpeted surface with holes facing upward. Attach support tube with screws (GG) as shown. **NOTE:** Mounting holes are about 3 3/16" off the center of the table.



STEP 2

Lay wood top on a carpeted surface with holes facing upward. Position the legs onto wood top with holes facing in and toward back as shown. LOOSELY attach with screws (AA) and washers (BB).





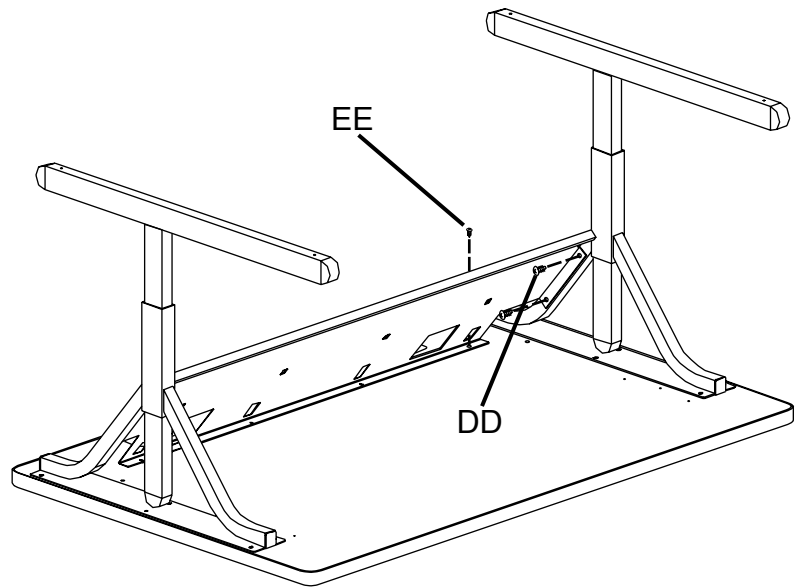
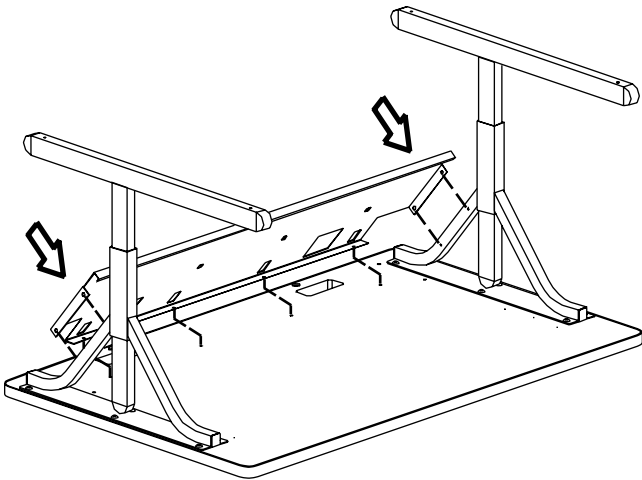
The edge closest to these holes with inserts is the back edge.

STEP 3

Set desired height and insert screws (CC) into legs and tighten with Allen wrench (provided).



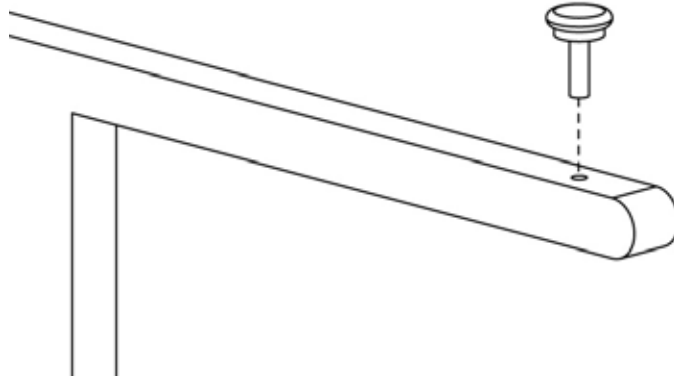
NOTE: If you will be attaching storage boxes, refer to those instructions now. It is easier to attach them prior to the modesty panel.



STEP 4

Slide in modesty panel. Tightly secure modesty panel to legs with screws (DD). Attach to wood top using screws (EE). **TIGHTEN ALL HARDWARE AT THIS TIME.** **NOTE:** Any "C" frames for shelves must be assembled prior to attaching the modesty panel.





STEP 5

Screw glides (FF) into the bottom of the legs.
Turn unit over, position and adjust glides to floor.

Bretford
11000 Seymour Avenue
Franklin Park, IL 60131
TEL: 847.678.2545
800.521.9614
FAX: 847.678.0852
800.343.1779

Bretford Ltd.
2 Etongate
110 Windsor Road, Slough
Berkshire SL1 2JA England
TEL: 011 44 17 5353 9955
FAX: 011 44 17 5353 9478