



BRETFORD

**FPBBUL32KIT FPBBUL37KIT FPBBUL42KIT
FLAT PANEL RETRO FIT KIT**

INTENDED USE:

FPBBUL32KIT is for use with the following **UL listed carts ONLY**;

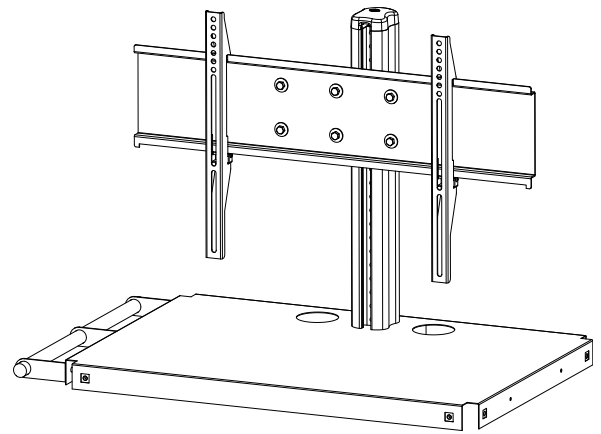
BBUL44, BBULC48

FPBBUL37KIT is for use with the following **UL listed carts ONLY**;

BBUL4435-P5, BBUL4435-M5

FPBBUL42KIT is for use with the following **UL listed carts ONLY**;

BBUL4440-P5, BBUL4440-M5

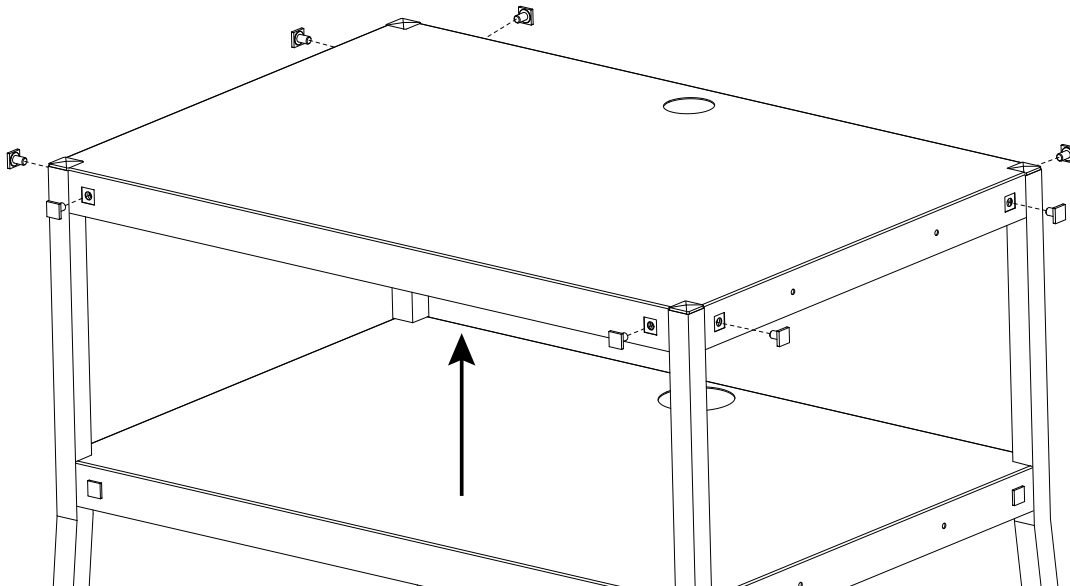


PARTS LIST

Qty	Part#	Description	Ref	Qty
1	022-2811	Top Shelf for FPBBUL32KIT	AA	2
	022-2812	Top Shelf for FPBBUL37KIT	BB	8
	022-2810	Top Shelf for FPBBUL42KIT	CC	2
1	022-2825	Handle Assembly for FPBBUL32KIT	DD	2
	022-2826	Handle Assembly for FPBBUL37KIT	EE	1
	022-2827	Handle Assembly for FPBBUL42KIT	FF	1
1	010-5117	22" Pole w/ (2) Locking Tabs 010-5048	GG HH	4 4
1	010-5653	Nugget	II	10
1	010-4958	Box Swivel	JJ	10
1	010-4959	Swivel Bracket	KK	4
1	010-4954	Main Support Bar	LL	2
2	010-4953	Hook Bars	MM	2
2	010-4956	Stop Brackets	NN	4
1	012-0753	Pole Top Cap	OO	2
			PP	1

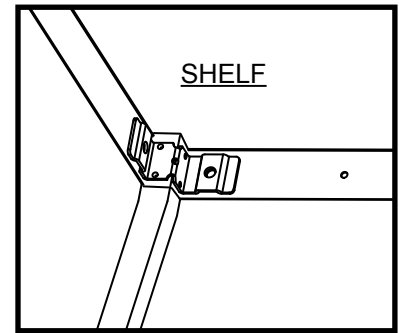
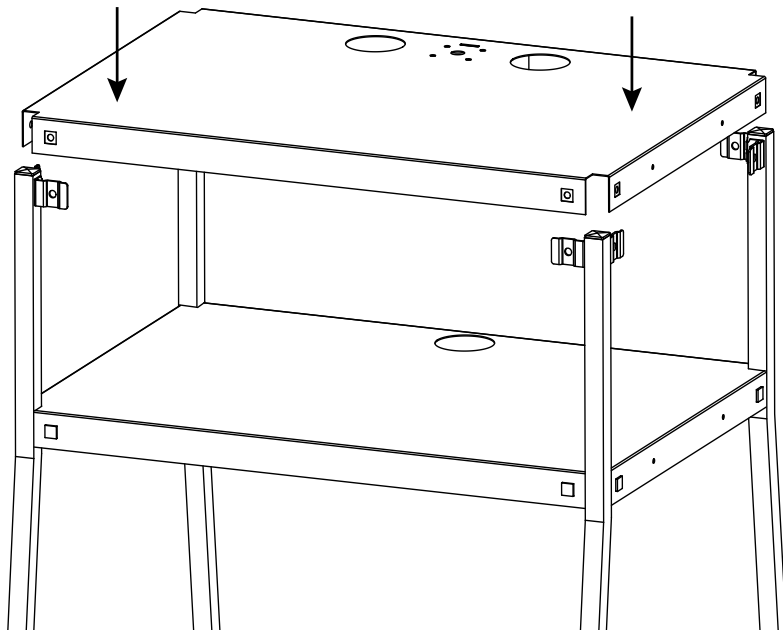
HARDWARE LIST

Part#	Description
030-1349	5/16-18 x 3/4" Hex Hd Screws
030-0306	1" x 21/64" x 1/16" Washers
030-0402	10-32 x 5/8" Combo Screws
030-0357	10-32 Serrated Flange Nuts
030-1129	5/8-11 UNC x 1 3/4" Socket Screw
030-1217	1 3/4" Diameter Washer
030-0200	1/4-20 X 1" Hex Hd Machine Screws
030-0240	1/4" External Lockwashers
030-0307	5/16-18 x 5/8" Hex Hd Screws
030-0411	5/16-18 Serrated Nuts
030-0713	3/8-16 x 5/8" Button Cap Screws
030-1340	1/4-20 x 2" Hex Hd Bolts
030-0043	#10-1/4" Washers
030-0865	#6 x 1/2" Button Pin-In Hd Screws
030-0354	10-32 x 1 1/2" Button Sockets Screws
012-0761	Plastic Clips
030-1237	1/2" Allen Wrench
030-1352	1/8" Security Pinn-In Driver Bit
044-2124	Courtesy Monitor Hardware Pack



STEP 1

Remove the top shelf from you cart. **DO NOT THROW THE HARDWARE AWAY.**
You will reuse it to attach the new shelf.



BRACKET TO THE INSIDE

FIGURE 1

A handle will be installed on the side with the swivel casters so omit hardware from that side of the cart.

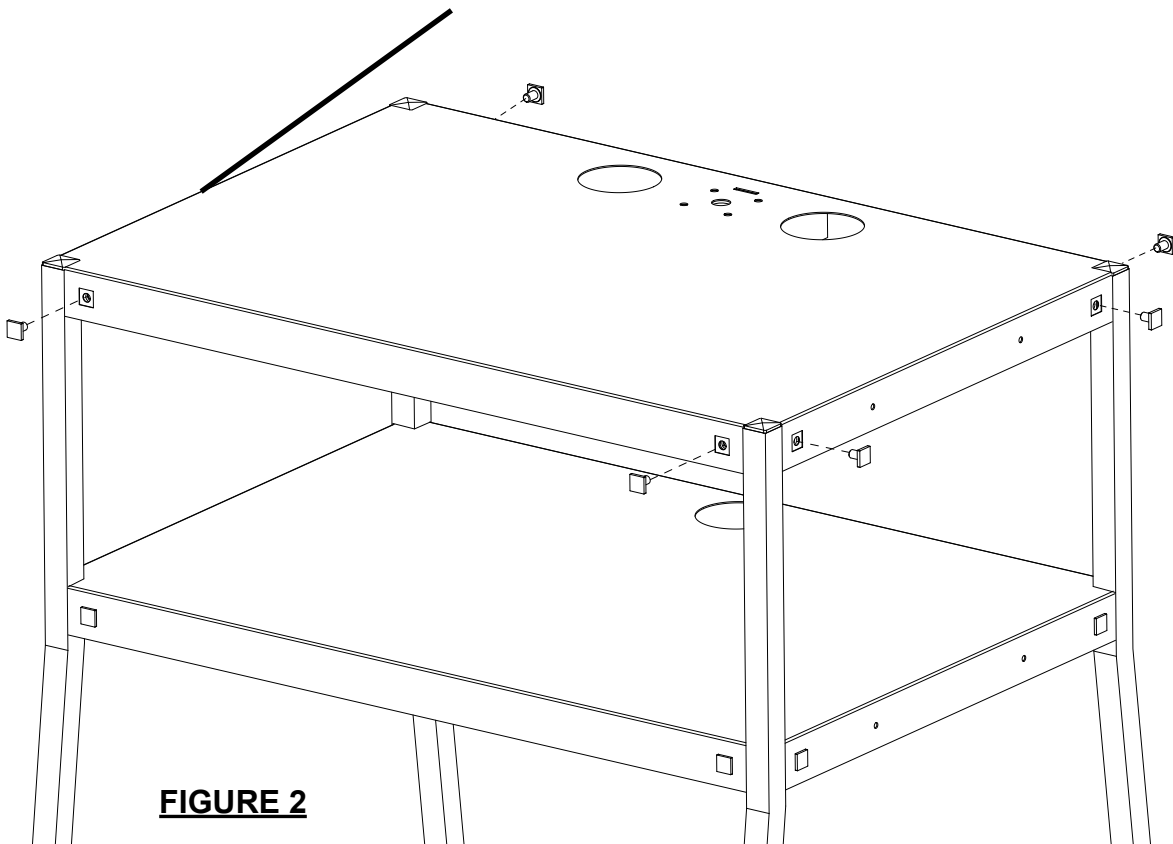


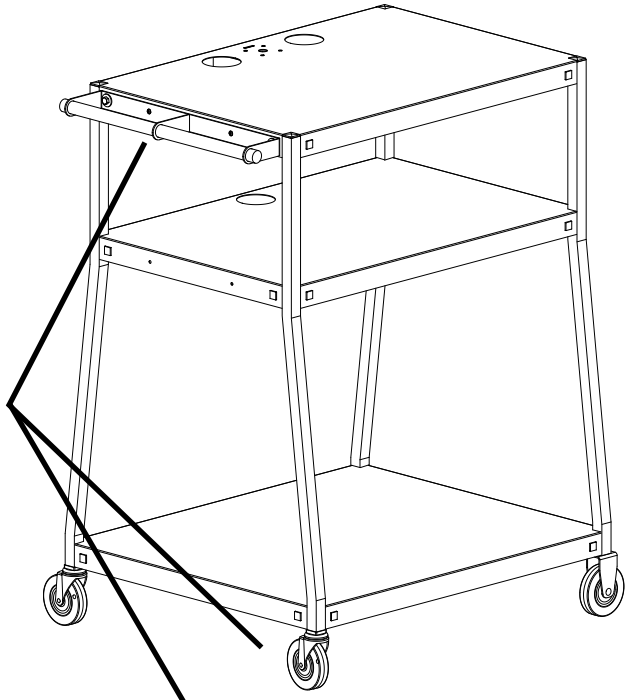
FIGURE 2

STEP 2

Slide the new top shelf onto your cart as shown in **FIGURE 1**. Using the hardware you removed in STEP1, secure the new shelf to the legs as shown in **FIGURE 2**. Omit bolts from either the right or left side of the cart; depending on which side you would like to install the handle.

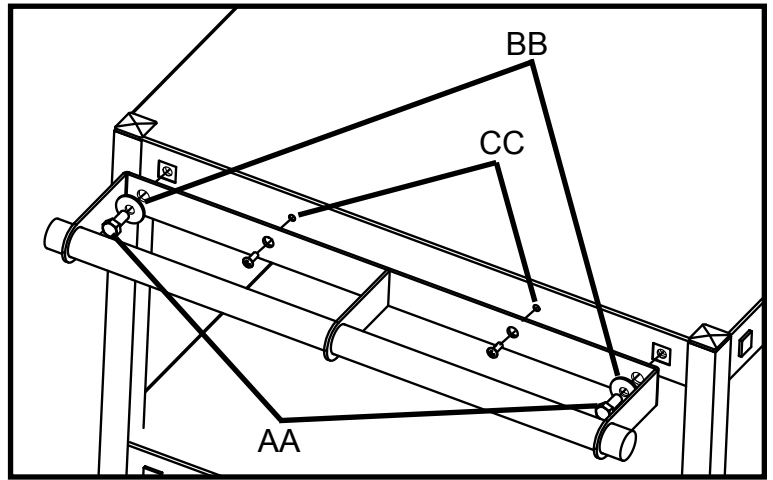


(Removed Hardware)



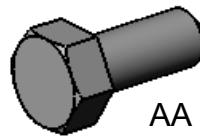
ATTACH HANDLE ON SIDE OF SWIVEL CASTERS

FIGURE 3

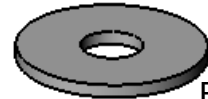


VIEW FROM ABOVE

FIGURE 4



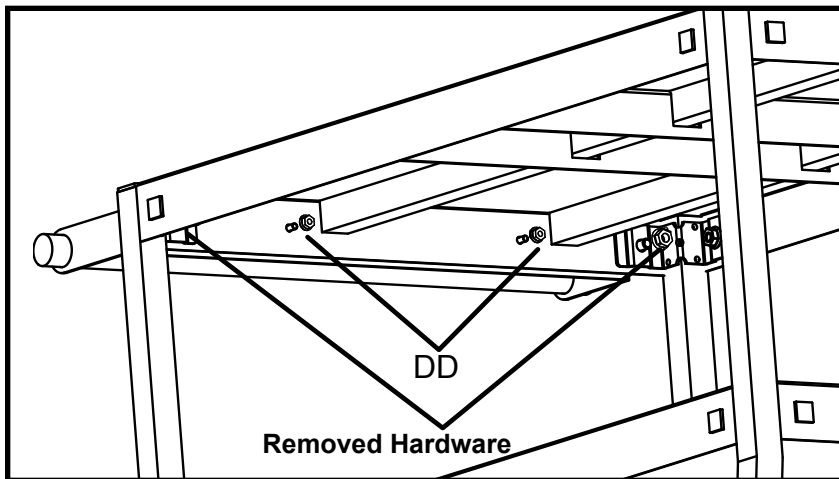
AA



BB



CC



VIEW FROM UNDERNEATH

FIGURE 5



DD

Removed Hardware

STEP 3

Attach handle assembly to the top shelf as shown in **FIGURE 3**. Secure in place with screws (AA) & (CC), washers (BB) and nuts (DD) & the removed hardware as indicated in **FIGURES 4 & 5**.

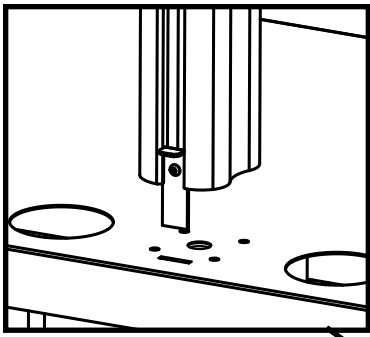


FIGURE 6

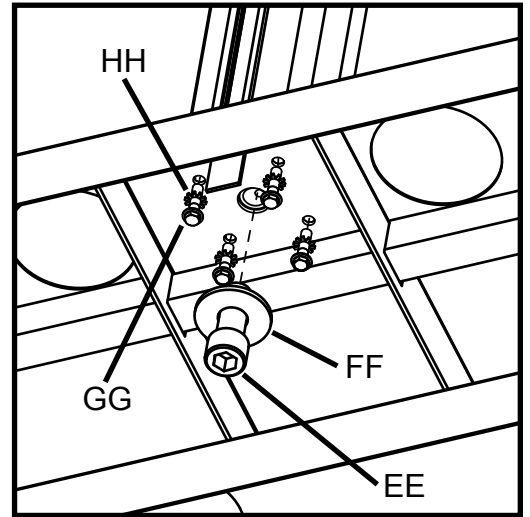
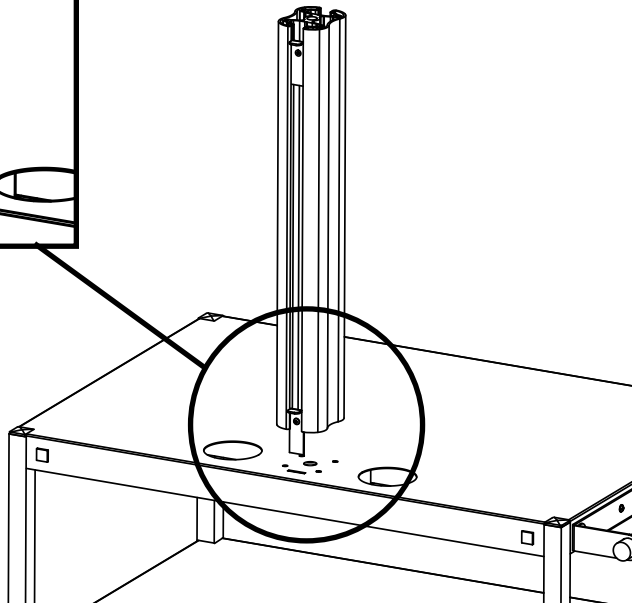
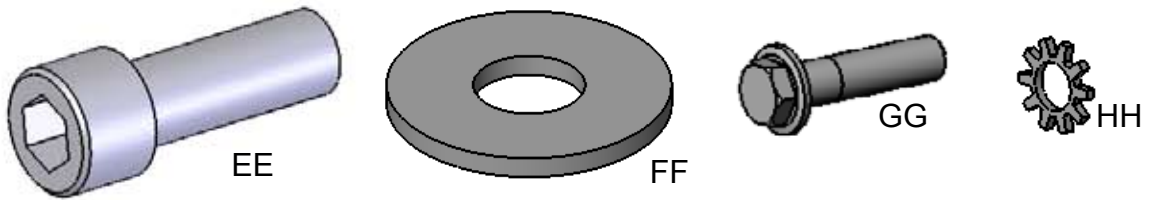


FIGURE 7

STEP 4

Attach pole to top shelf. Align pole over holes in top shelf as shown in **FIGURE 6**. Secure from **UNDERNEATH** with screw (EE), washer (FF), screws (GG) and washers (HH) as shown in **FIGURE 7**.

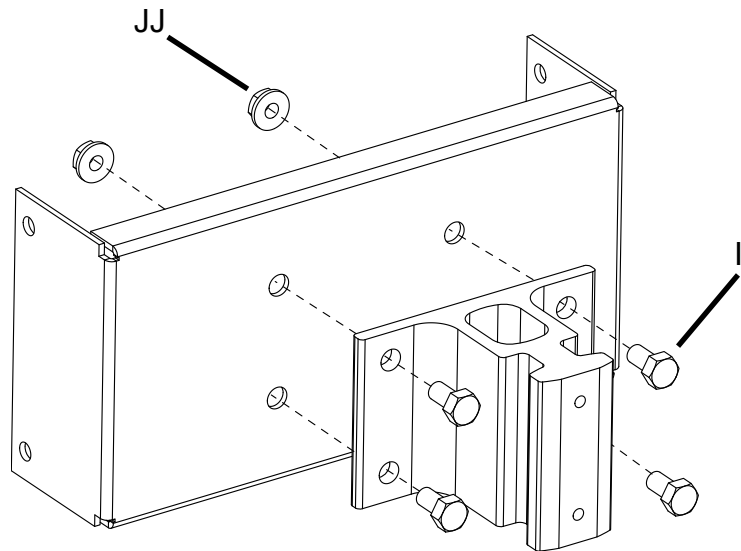


EE

FF

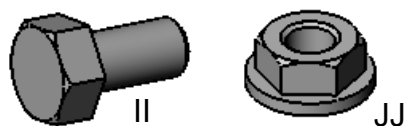
GG

HH



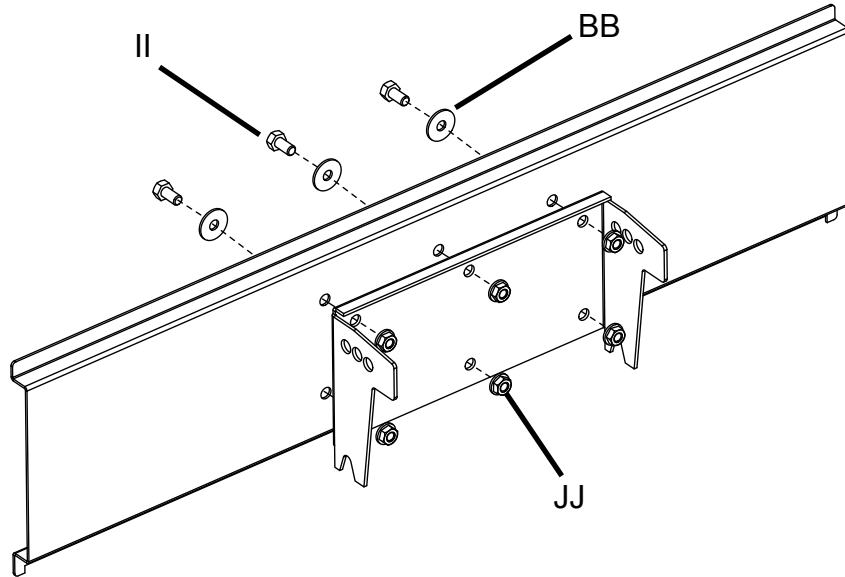
STEP 5

Attach the box swivel to the nugget with screws (II) and nuts (JJ) as shown.



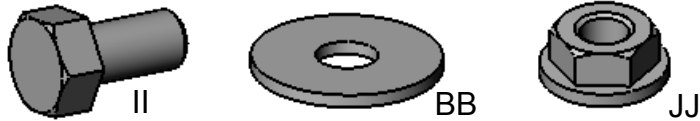
II

JJ



STEP 6

Attach main support to swivel bracket with screws (II), washers (BB) and nuts (JJ) as shown.



TILT ADJUSTMENTS

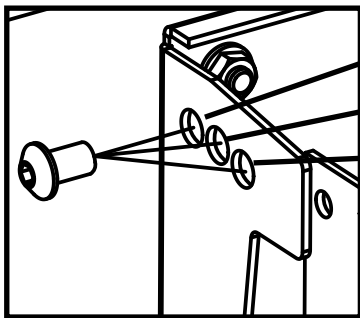
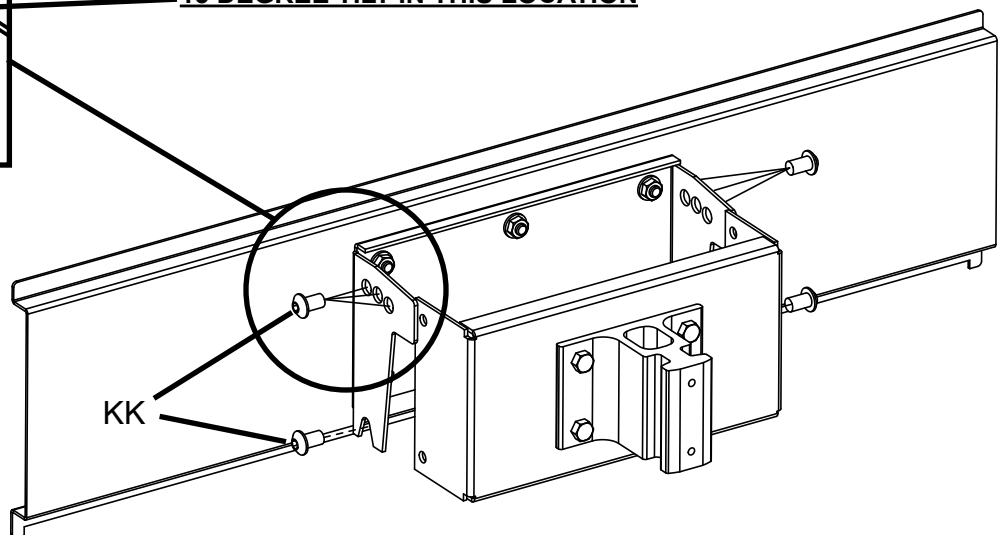


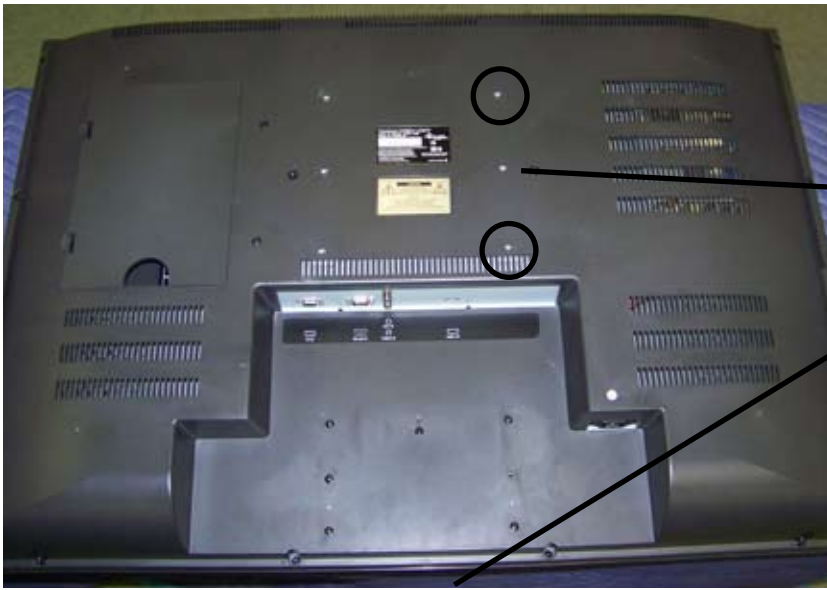
FIGURE 8



STEP 7

Loosely insert the lower spike/box assembly screws (KK) then fit the spike/box assembly notch over the screws and insert the tilt adjustment screws (KK) at the angle desired and tighten all screws. This assembly can be installed with or without a tilt. Reference **FIGURE 8** for tilt adjustments.





Measure the distance from the center of mount holes to the bottom of the monitor.

FIGURE 9

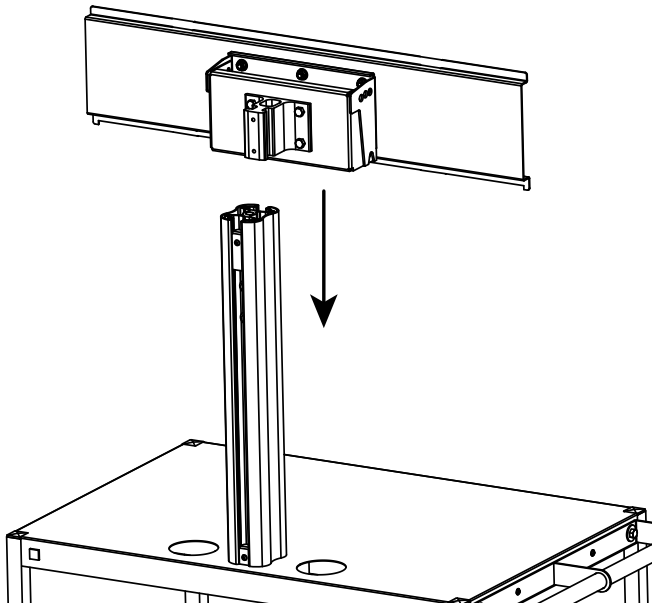


FIGURE 10

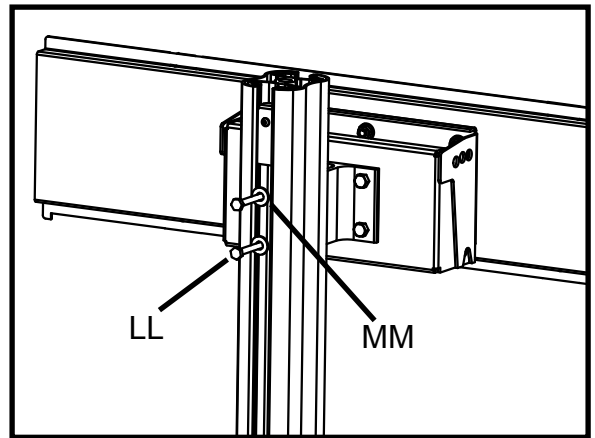
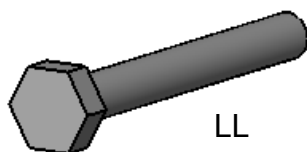


FIGURE 11

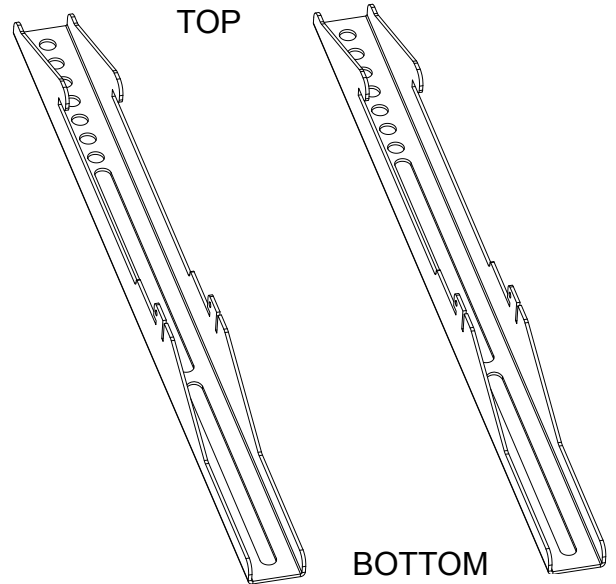
STEP 8

Roughly measure the distance from the center of monitor mounting holes to the bottom of the monitor (**FIGURE 9**). Round to the highest inch and from the top shelf, use that measurement as a guide to the location for the bottom nugget screw on the pole. Slide the nugget assembly onto the pole as shown in **FIGURE 10**. Hand tightening, attach nugget to pole with bolts (LL) and washers (MM) as shown in **FIGURE 11**. **NOTE:** You may need to adjust the mounting assembly up or down once the monitor is hung in place. **DO NOT OVER TIGHTEN THE BOLTS.**



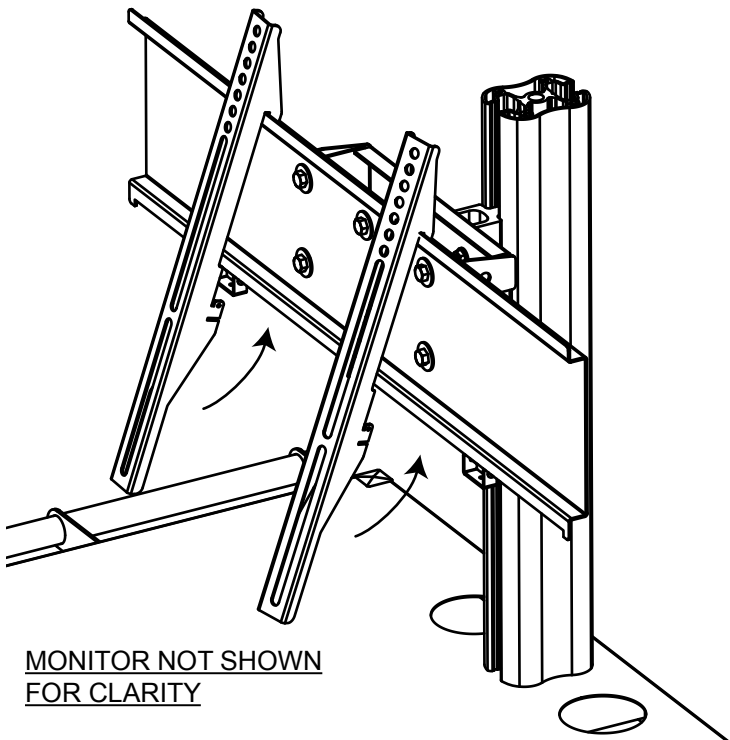
LL

MM



STEP 9

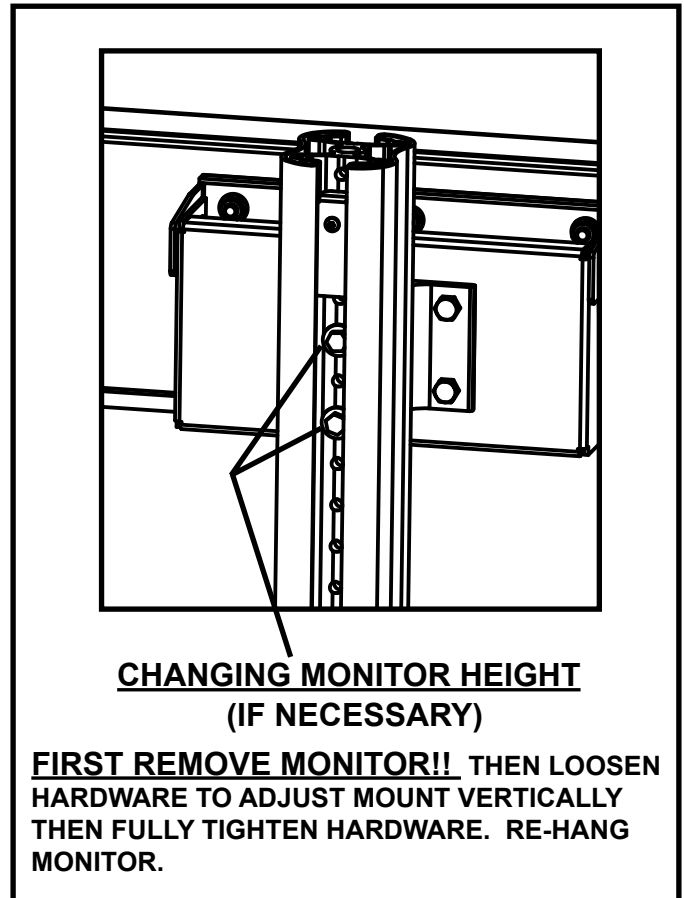
Attach both hook bars onto the back of your monitor using the mounting holes built into the case. A courtesy hardware pack has been provided with several metric screw sizes. You may need to purchase additional metric screws from your local hardware store for odd shaped monitors.



MONITOR NOT SHOWN FOR CLARITY

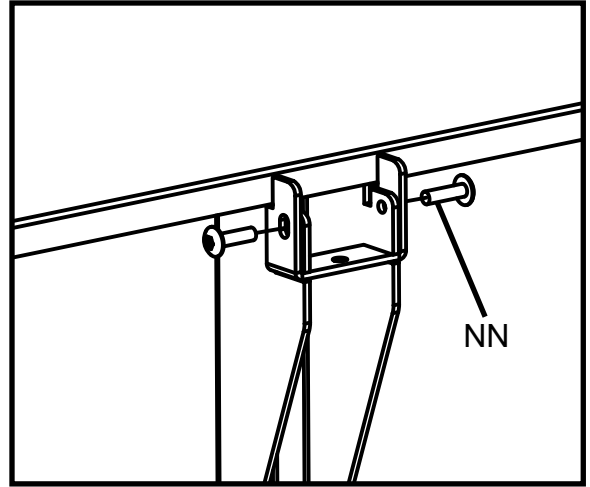
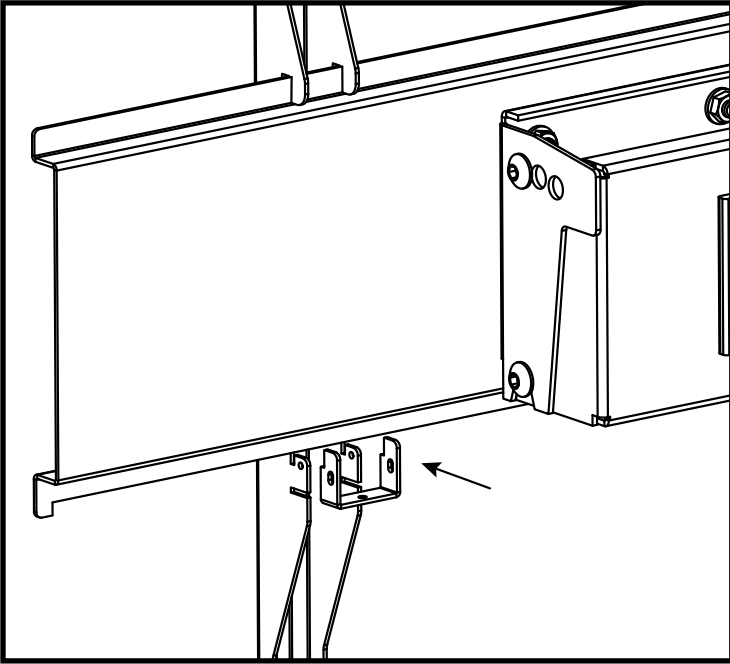
STEP 10

Hook monitor onto main support bar as shown. Monitor removed from picture for clarity.



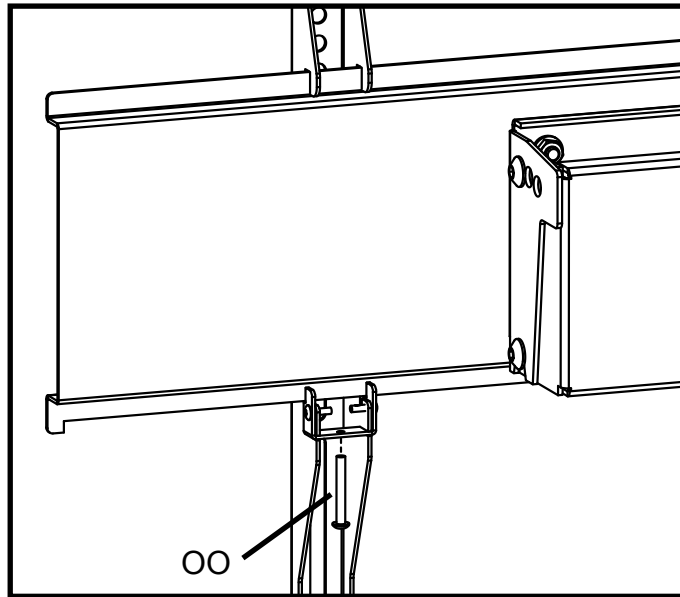
CHANGING MONITOR HEIGHT (IF NECESSARY)

FIRST REMOVE MONITOR!! THEN LOOSEN HARDWARE TO ADJUST MOUNT VERTICALLY THEN FULLY TIGHTEN HARDWARE. RE-HANG MONITOR.



STEP 11

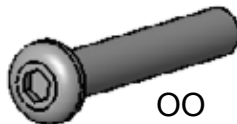
Attach the stop brackets to the hook bars as shown with security screws (NN) using the driver bit provided.

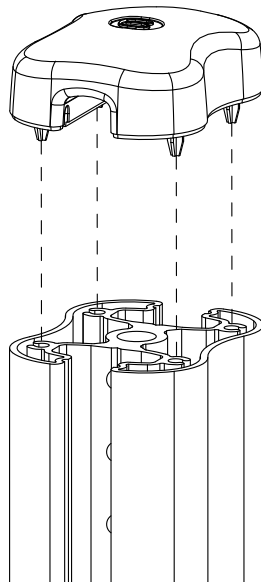


CENTER MONITOR HORIZONTALLY THEN SECURE

STEP 12

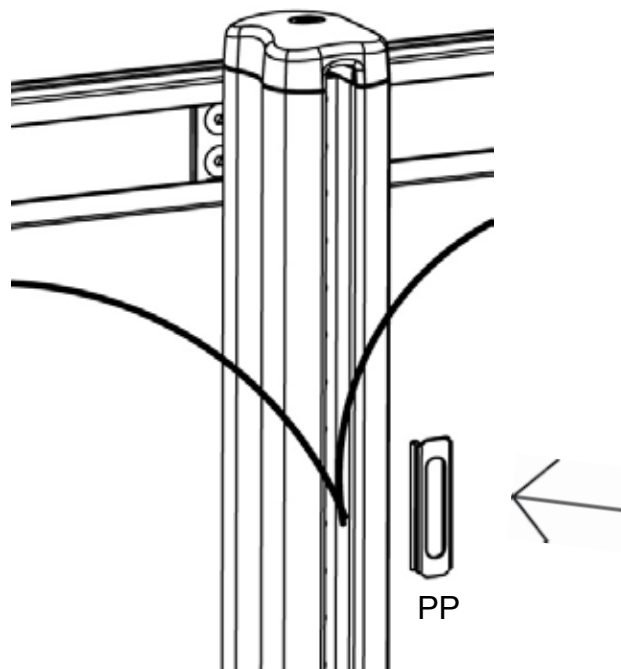
Center your monitor horizontally and then tighten in place with screws (OO).





STEP 13

Snap pole cap onto the top of the pole as shown.



STEP 14

Feed your power cord into pole channel then snap the plastic clip (PP) inside pole to trap and contain power cord. Cords may be fed into the front or rear pole channel.

Bretford
11000 Seymour Avenue
Franklin Park, IL 60131
TEL: 847.678.2545
800.521.9614
FAX: 847.678.0852
800.343.1779

Bretford Ltd.
2 Etongate
110 Windsor Road, Slough
Berkshire SL1 2JA England
TEL: 011 44 17 5353 9955
FAX: 011 44 17 5353 9478

www.bretford.com