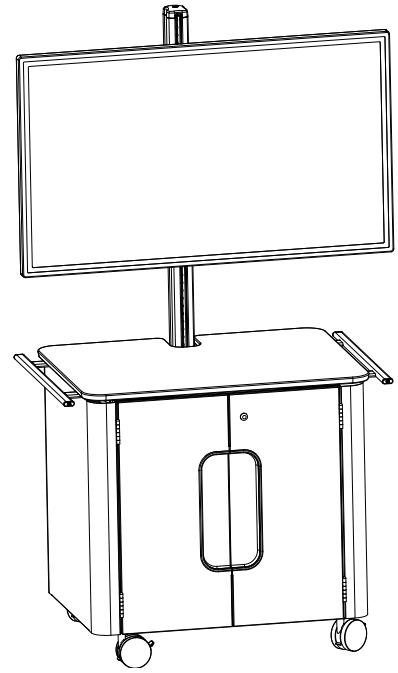


FPPC72V200
72" FREE STANDING
DISPLAY CART
Assembly Instructions



Hardware List

| Ref. | Qty. | Part No. | Description |
|------|------|----------|-------------------------------------|
| AA | 2 | SC1048B | 1/4-20 45mm Joint Connector Bolts |
| BB | 1 | 030-1217 | 1 3/4" Diameter Washer |
| CC | 1 | 030-1129 | 5/8-11 UNC 1 3/4" Socket Hd Screw |
| DD | 2 | 012-0761 | Cable Clips |
| EE | 8 | 030-0402 | #10-32 x 5/8" Combo Screws |
| FF | 10 | 030-0307 | 5/16-18 x 5/8" Hex Hd Screws |
| GG | 10 | 030-0411 | 5/16-18 Serrated Nuts |
| HH | 6 | 030-0306 | 1" x 21/64" x 1/16" Washers |
| II | 2 | 030-1340 | 1/4-20 x 2" Hex Hd Bolts |
| JJ | 2 | 030-0043 | #10-1/4" Washers |
| KK | 4 | 030-0713 | 3/8-16 x 5/8" Button Cap Screws |
| LL | 4 | 030-0865 | #6 x 1/2" Button Pin-In Hd Screws |
| MM | 2 | 030-0354 | 10-32 x 1 1/2" Button Socket Screws |
| | 1 | 030-0353 | 1/8" T-Handle Allen Wrench |
| | 1 | 030-0397 | 3/16" Allen Wrench |
| | 1 | HK1020 | 5/32" Allen Wrench |
| | 1 | 030-1237 | 1/2" Allen Wrench |
| | 1 | 030-1352 | 1/8" Security Pin-In Driver Bit |
| | 1 | 044-2124 | Courtesy Monitor Hardware Pack |

CAUTION: This mount is intended to support a flat monitor having a diagonal screen size of 32-50", a weight of 170 lbs and having a monitor mounting hole pattern no larger than 700mm wide by 400mm high. For added safety and ease of installation, use a qualified professional to properly install the correct mounting hardware. Bretford will not be liable for the improper use or installation of its products.

****MOUNTING YOUR MONITOR**

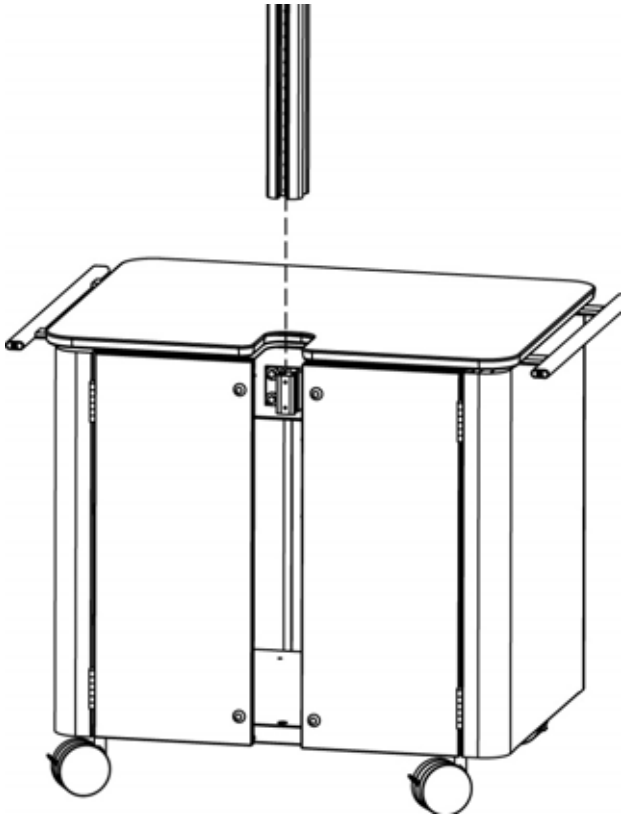
Bretford has tried to provide courtesy M4, M5 and M6 metric hardware to accommodate as many styles of large monitors as possible. New monitor designs are constantly entering the market and your monitor may require a metric hardware size not included with this model. Your local small hardware store is usually the most effective place to source additional metric screws. If you are unsure of the hardware size, please consult your monitor manufacturer for the appropriate wall mounting hardware size for your monitor. **NOTE:** The minimum thread engagement required is the same as the diameter of the screw, for instance, if the screw diameter is 8mm, the minimum thread engagement is also 8mm.

WARNING

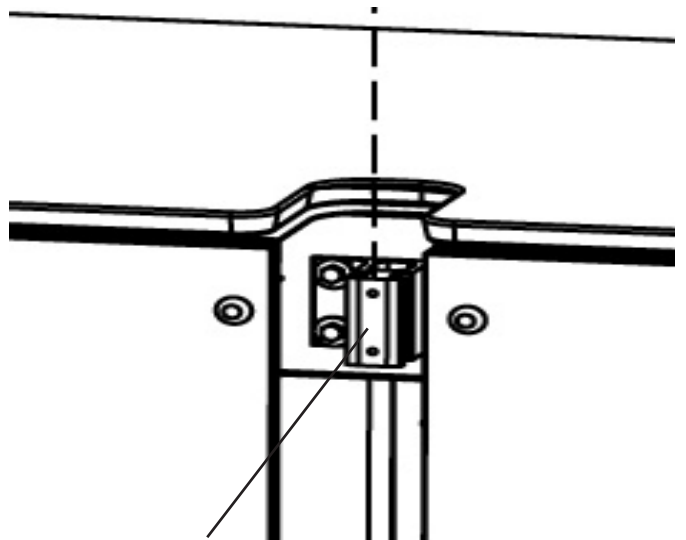
The monitor bracket screws must be fully seated in the back of the monitor in order to create a stable installation. If the monitor bracket screws are not fully seated, your installation will not be stable and personal injury or damage to your monitor may result.

When mounting monitor brackets, do not use screws that exceed the depth of the monitor mounting holes. Using screws that are too long may cause damage to your monitor. Never tighten fasteners past the first sign of resistance. Over tightening may cause serious damage to your monitor. Any doubt, the installer should consult monitor manufacturer for mounting hole depth guidelines.

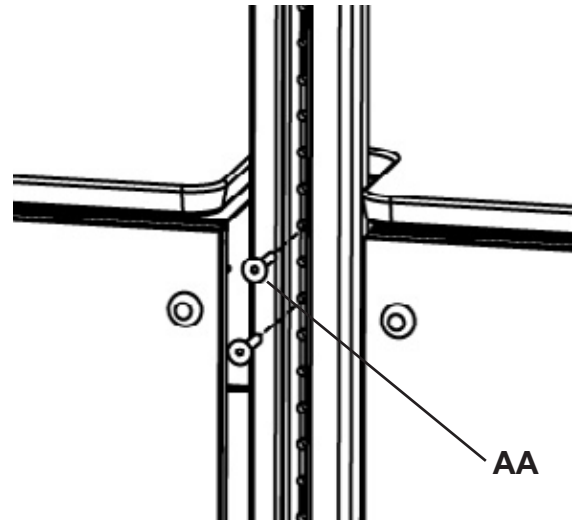
STEP 1



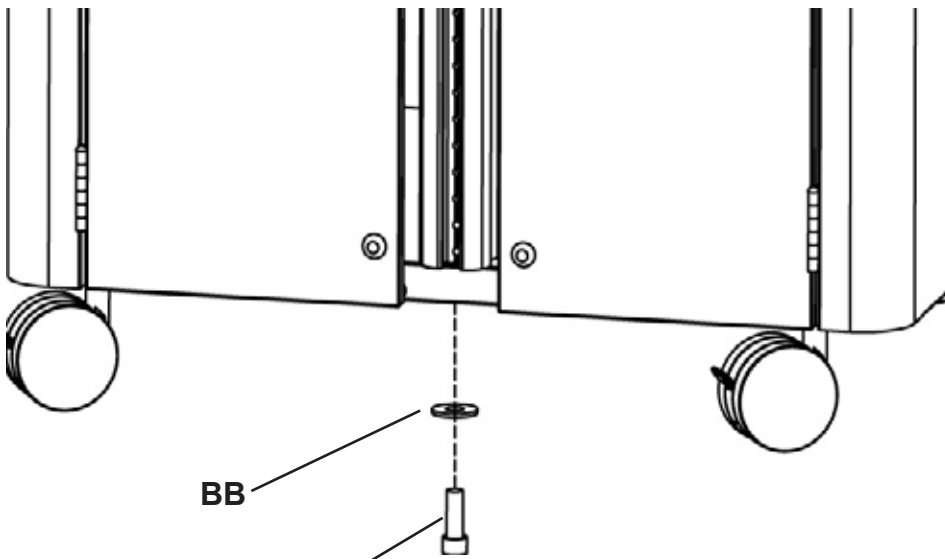
Slide pole onto cart as shown.
NOTE: Make sure pole sits completely on bottom shelf.



If necessary, loosen bolts and slide bracket up or down to align with the pole.

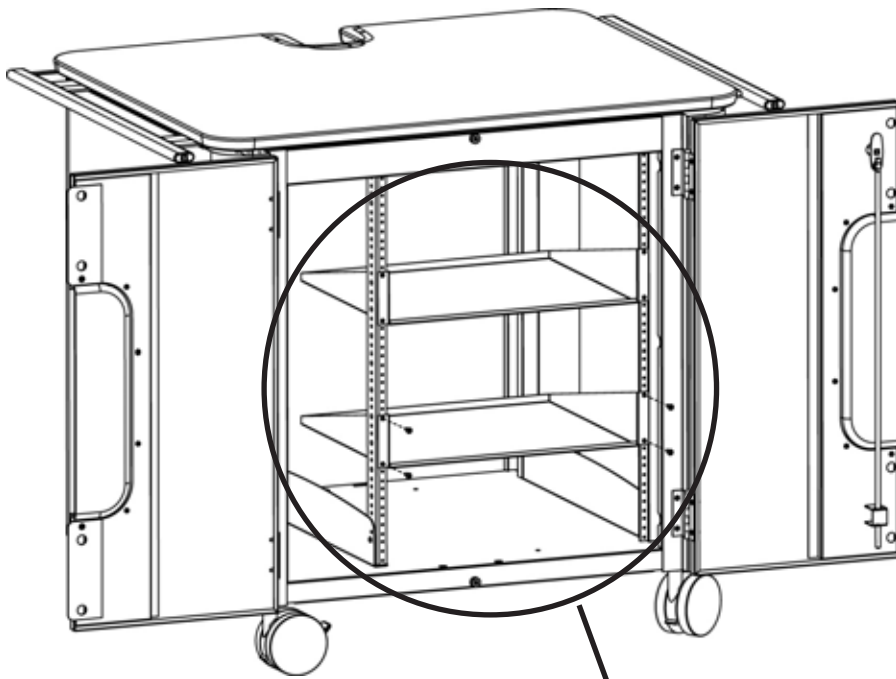


Secure pole to cart bracket with screws (AA) as shown.
(Use 5/32" Allen wrench provided)



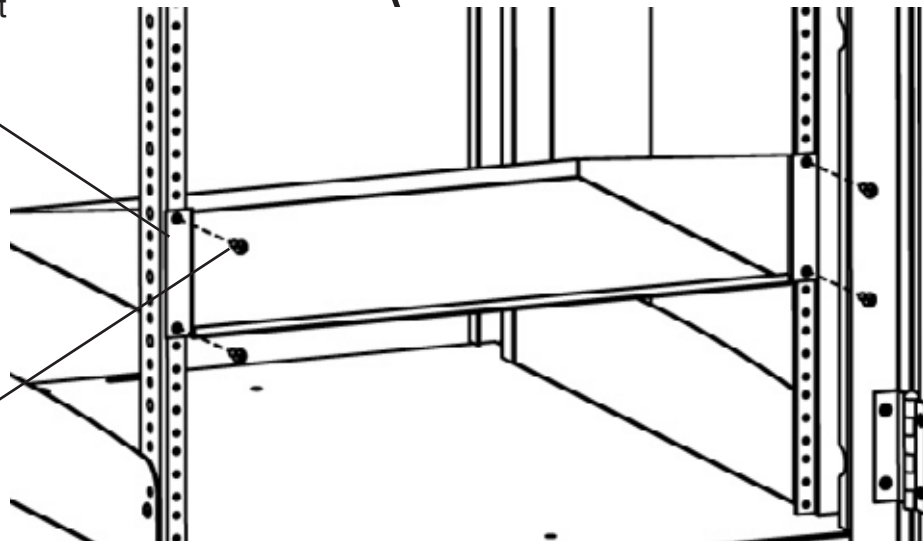
BB
CC
(Use 1/2" Allen wrench provided)

Secure pole to bottom of cart with washer (BB) and bolt (CC) as shown.



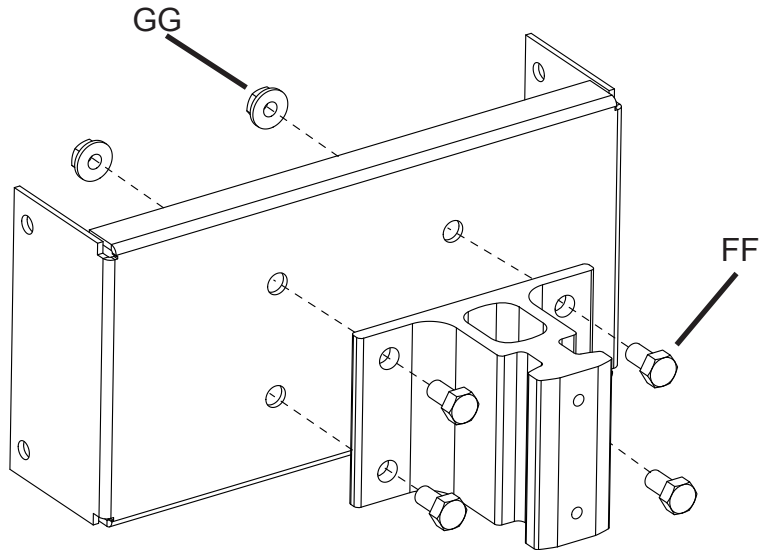
Flange in front
of rack rail

EE



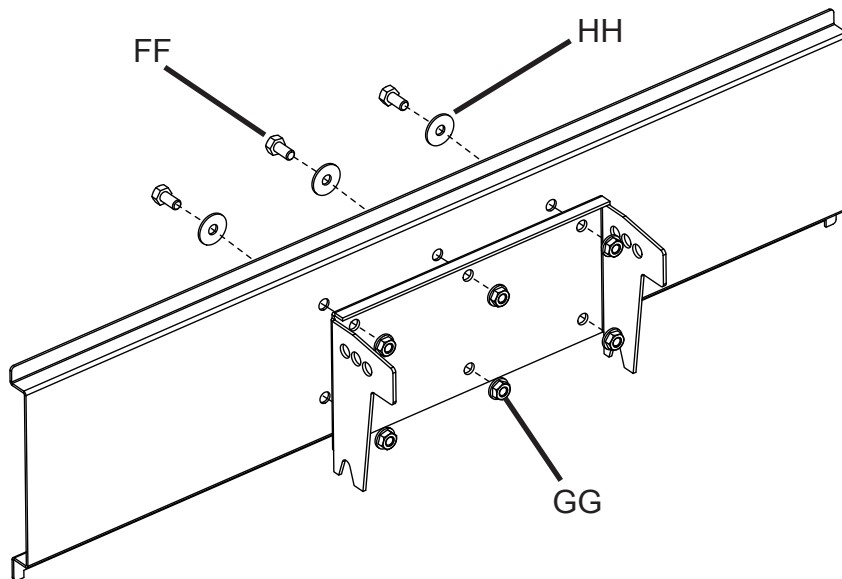
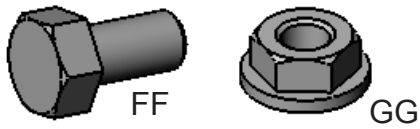
STEP 2

Install each utility shelf to rack rail as shown using screws (EE). Make sure shelf flange is in front of rack rail. Shelves may be install at your own desired locations within the rails.



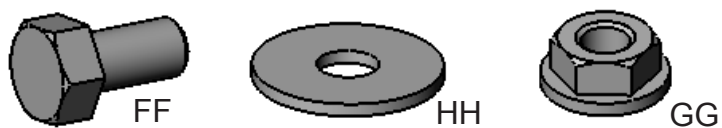
STEP 3

Attach the box swivel to the nugget with screws (FF) and nuts (GG) as shown.



STEP 4

Attach main support to swivel bracket with screws (FF), washers (HH) and nuts (GG) as shown.



TILT ADJUSTMENTS

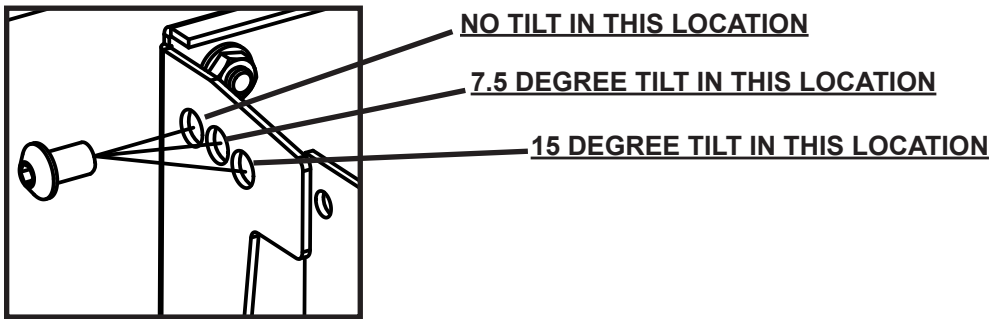
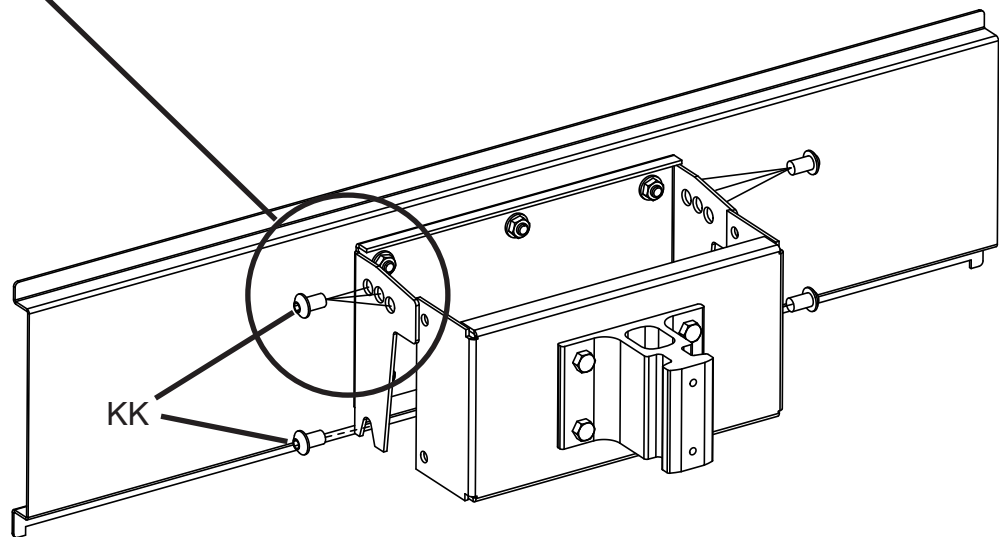


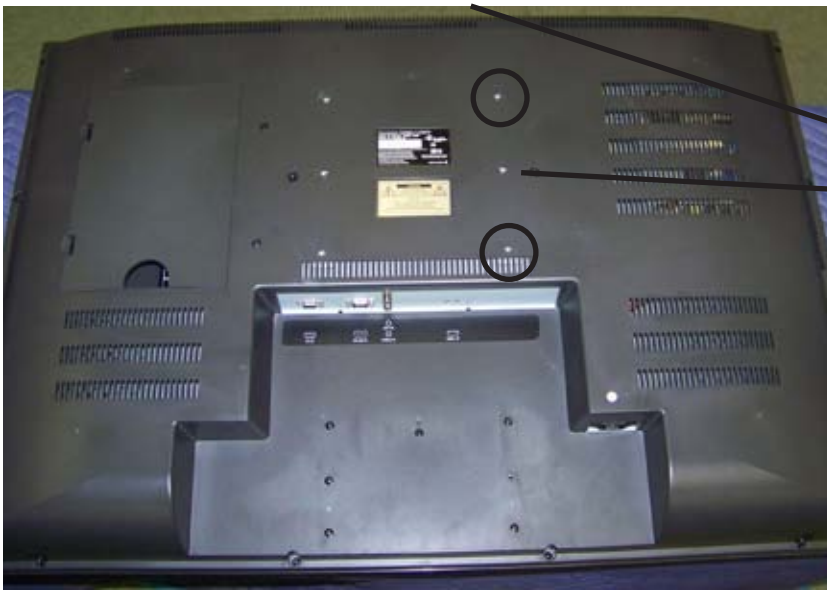
FIGURE 3



STEP 5

Loosely insert the lower spike/box assembly screws (KK) then fit the spike/box assembly notch over the screws and insert the tilt adjustment screws (KK) at the angle desired and tighten all screws. This assembly can be installed with or without a tilt. Reference **FIGURE 3** for tilt adjustments.





Measure the distance from the center of mount holes to the top of the monitor.

FIGURE 4

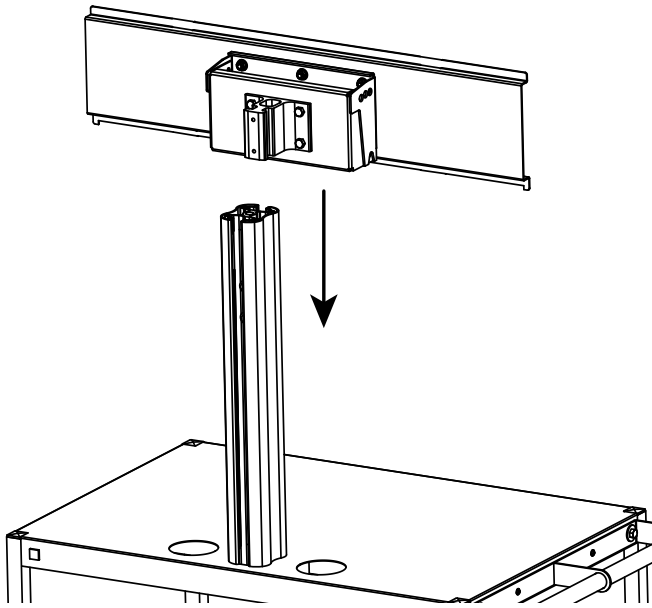


FIGURE 5

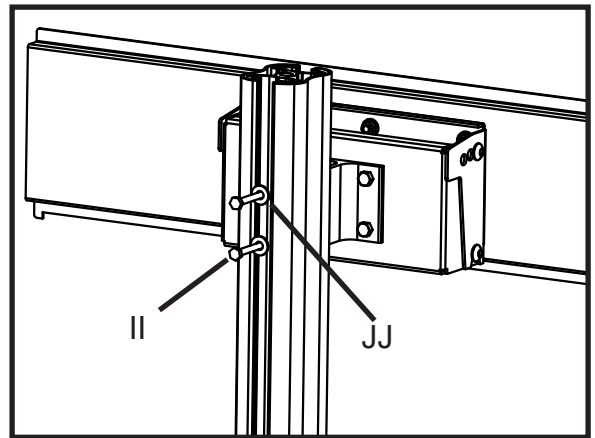
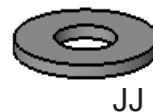
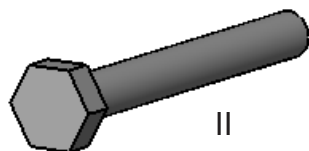
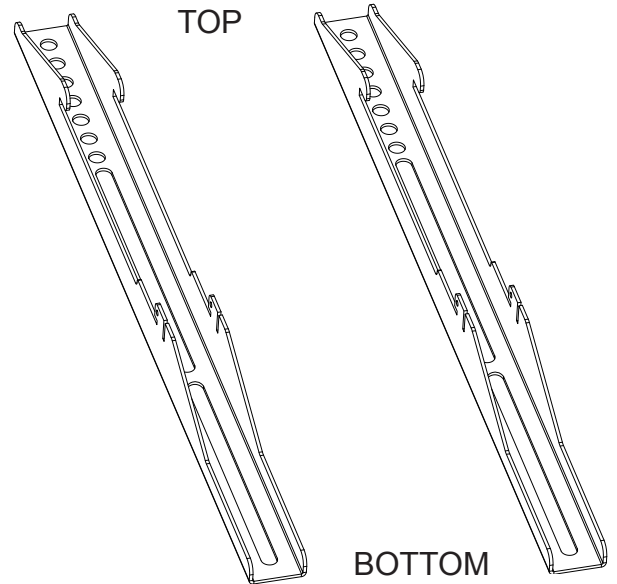


FIGURE 6

STEP 6

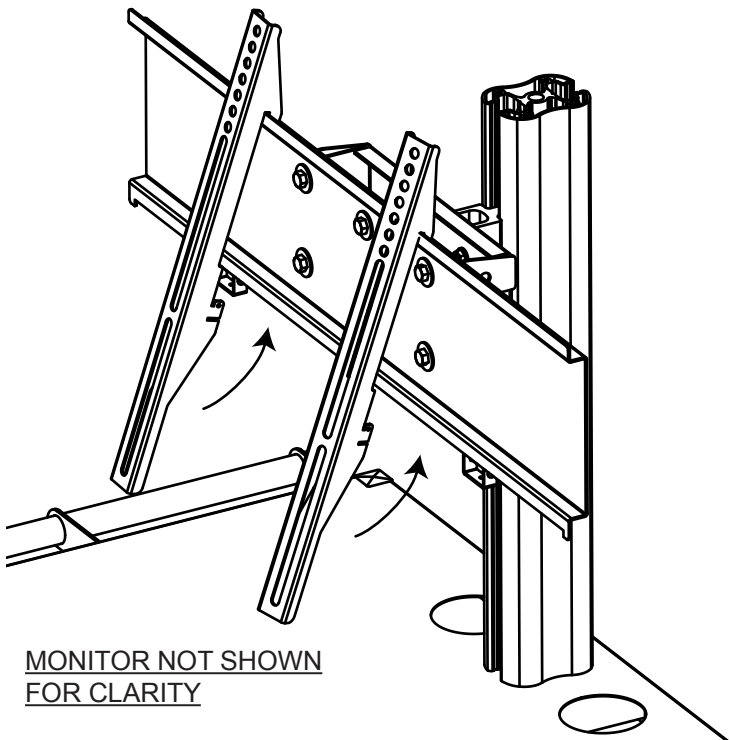
Roughly measure the distance from the center of monitor mounting holes to the top of the monitor (**FIGURE 4**). Round to the highest inch and from the top of the pole, use that measurement as a guide to the location for the top nugget screw on the pole. Slide the nugget assembly onto the pole as shown in **FIGURE 5**. Hand tightening, attach nugget to pole with bolts (II) and washers (JJ) as shown in **FIGURE 6**. **NOTE:** You may need to adjust the mounting assembly up or down once the monitor is hung in place. **DO NOT OVER TIGHTEN THE BOLTS.**





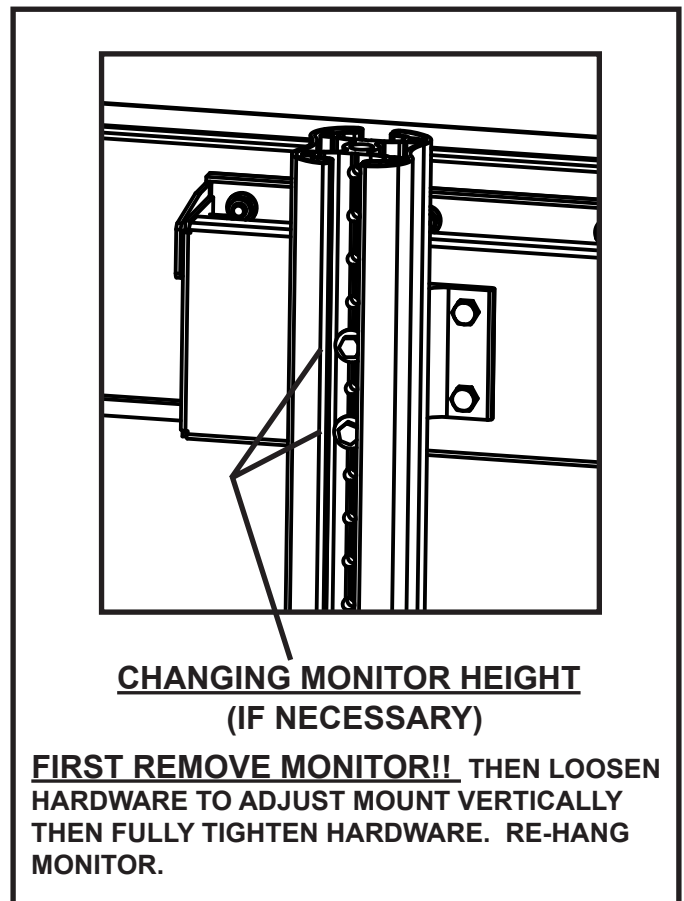
STEP 7

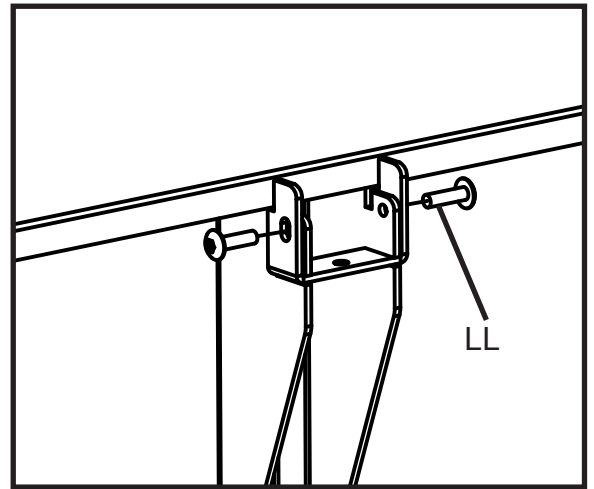
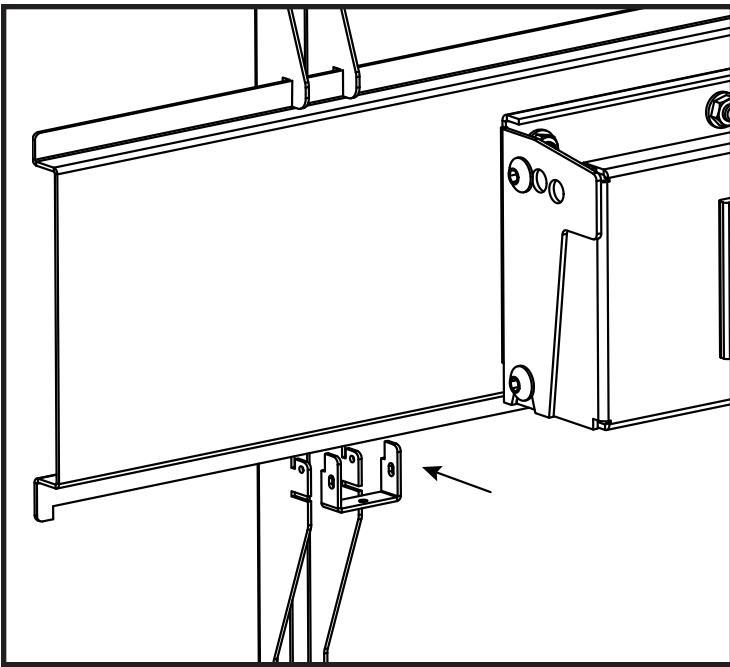
Attach both hook bars onto the back of your monitor using the mounting holes built into the case. A courtesy hardware pack has been provided with several metric screw sizes. You may need to purchase additional metric screws from your local hardware store for odd shaped monitors.



STEP 8

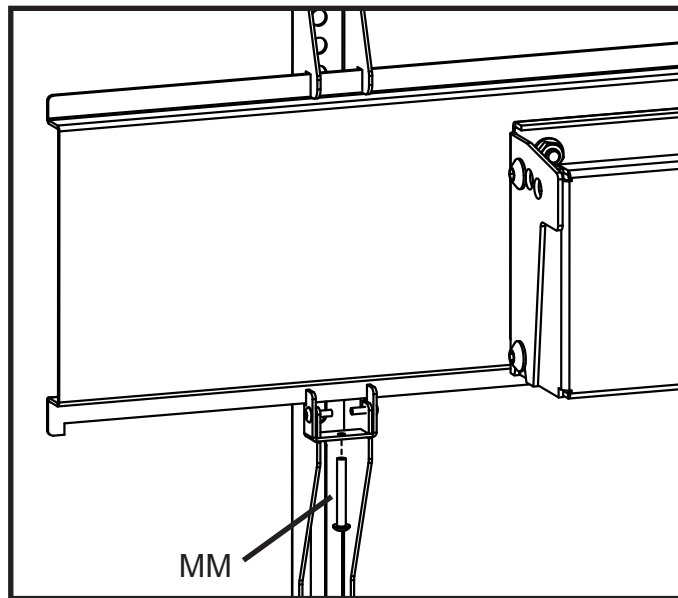
Hook monitor onto main support bar as shown. Monitor removed from picture for clarity.





STEP 9

Attach the stop brackets to the hook bars as shown with security screws (LL) using the driver bit provided.

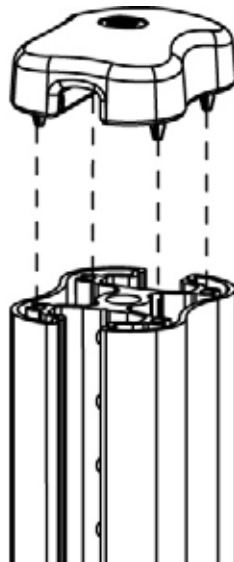


CENTER MONITOR HORIZONTALLY THEN SECURE

STEP 10

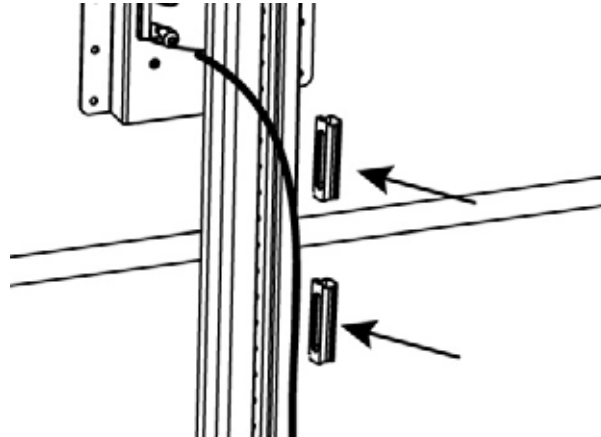
Center your monitor horizontally and then tighten in place with screws (MM).





STEP 11

Snap pole cap onto the top of the pole as shown.



STEP 12

Feed your power cord into beam then snap each plastic clip inside beam to trap and contain power cord.

Bretford
11000 Seymour Avenue
Franklin Park, IL 60131
TEL: 847.678.2545
800.521.9614
FAX: 847.678.0852
800.343.1779

Bretford Ltd.
2 Etongate
110 Windsor Road, Slough
Berkshire SL1 2JA England
TEL: 011 44 17 5353 9955
FAX: 011 44 17 5353 9478

www.bretford.com

Part # 031-7558
Rev. 11.05.07 CZ