

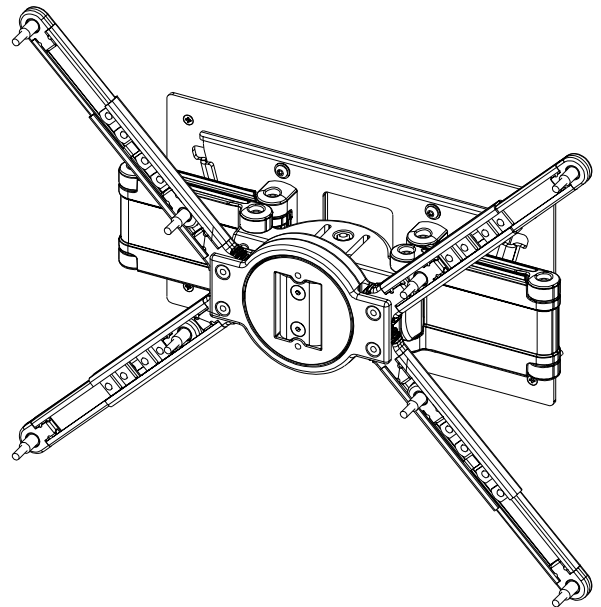


BRETFORD™

FPLM-ARM-AL

**ADJUSTABLE ARMS UNIVERSAL
FLAT PANEL WALL MOUNT**

Assembly Instructions



Hardware List

Ref.	Qty.	Part No.	Description
AA	4	030-1177	#12 x 2 1/2" Flat Head Wood Screws
BB	2	030-1112	5/16-18 UNC 1/2" Button Hd Screws
CC	2	030-1111	5/16-18 UNC .050 Thick Washers
DD	2	012-0760	Cable Clips
	1	044-1981	Courtesy Hardware Pack for Mounting Monitor
	1	030-0353	1/8" T-Handle Allen Wrench
	1	030-0397	3/16" Allen Wrench
	1	HK1020	5/32" Allen Wrench

CAUTION: This mount is intended to support a LCD monitor having a diagonal screen size of 60" and a maximum weight of 170 lbs. Use of any larger size monitors may result in instability causing possible injury. The wall mounting hardware included in your hardware pack is **INTENDED** for **WOOD STUD INSTALLATION ONLY**. For added safety and ease of installation, use a qualified professional to properly install the correct mounting hardware. Bretford will not be liable for the improper use or installation of its products.

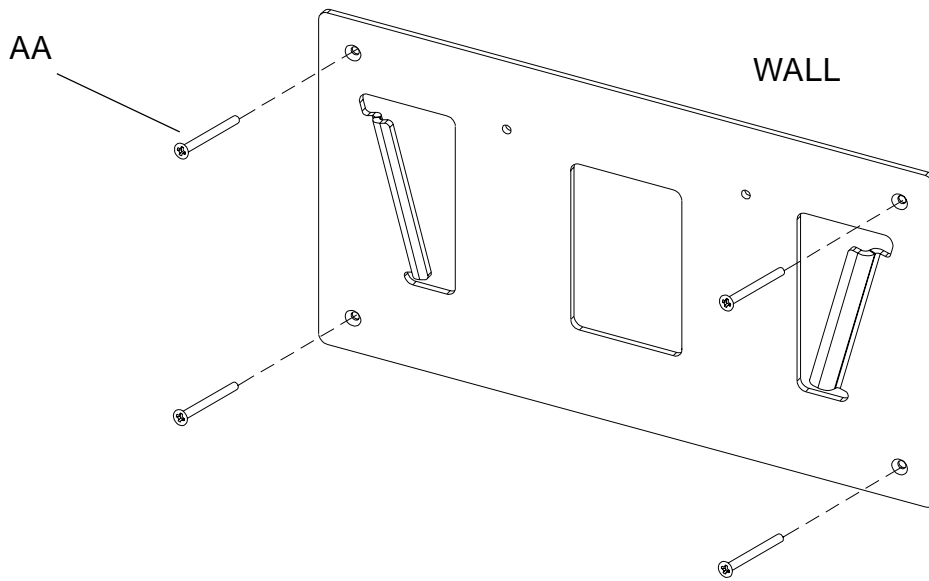
****MOUNTING YOUR MONITOR**

While Bretford has tried to provide hardware to accommodate as many styles of large monitors as possible, since new monitor designs are constantly entering the market, your monitor may require special hardware not included with this model. If you feel your monitor requires different hardware that was not provided and you need assistance determining the correct hardware, consult Bretford's customer service department, the monitor manufacturer or a dependable hardware supplier. **NOTE:** The minimum thread engagement required is the same as the diameter of the screw, for instance, if the screw diameter is 8mm, the minimum thread engagement is also 8mm.

WARNING

The monitor bracket screws must be fully seated in the back of the monitor in order to create a stable installation. If the monitor bracket screws are not fully seated, your installation will not be stable and personal injury or damage to your monitor may result.

When mounting monitor brackets, do not use screws that exceed the depth of the monitor mounting holes. Using screws that are too long may cause damage to your monitor. Never tighten fasteners past the first sign of resistance. Over tightening may cause serious damage to your monitor. Any doubt, the installer should consult monitor manufacturer for mounting hole depth guidelines.

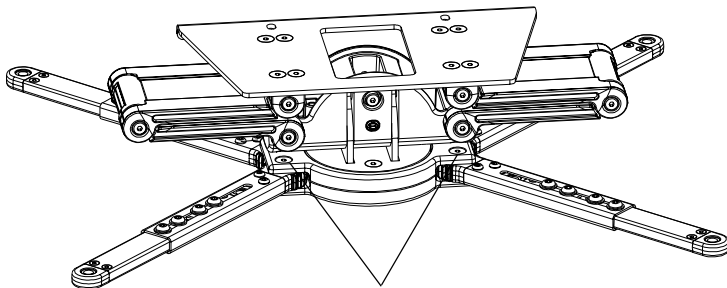


STEP 1

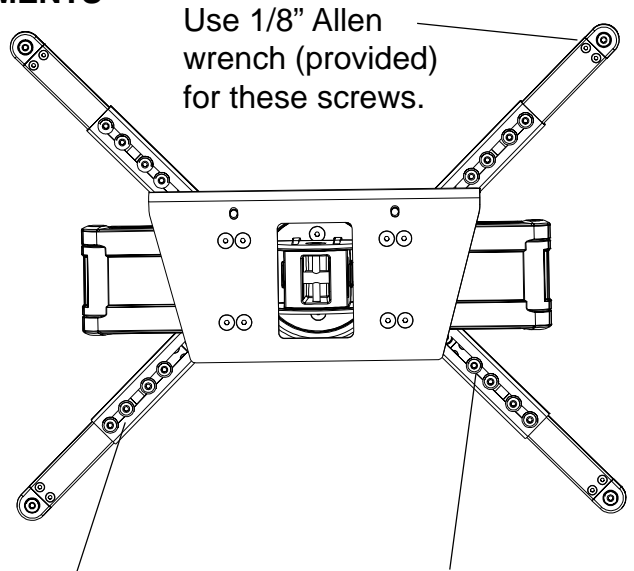
Attach the wall plate to the wall through a wood stud using hardware (AA) as shown.

****MOUNT YOUR MONITOR NOW USING COMPONENTS PROVIDED IN THE COURTESY HARDWARE PACK**

ARM ADJUSTMENTS



Loosen these corner screws to open and close the arms. Once location of arms is achieved, tighten screws. Use 3/16" Allen wrench provided.



Use 1/8" Allen wrench (provided) for these screws.

These screws adjust the length of the arm extension. Use 3/16" Allen wrench provided.

These screws hold a smaller arm extension. If a shorter arm is needed take arm extensions apart and just use the shorter one. Use 3/16" Allen wrench provided.

MONITOR NOT SHOWN FOR CLARITY

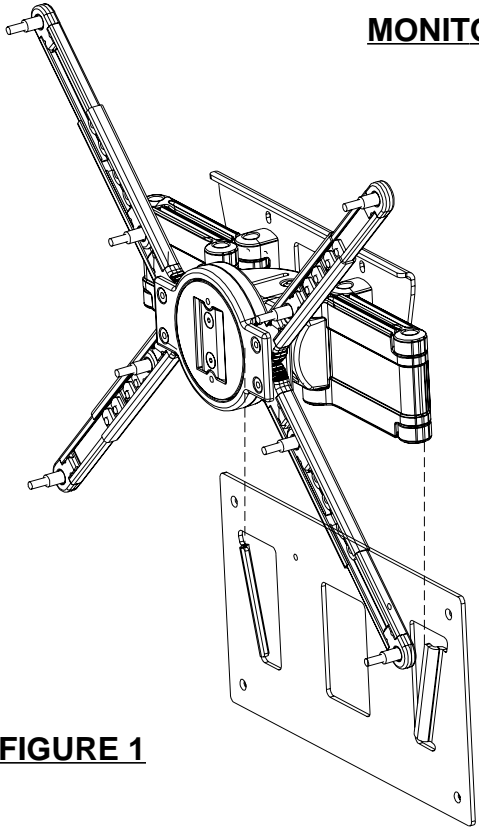


FIGURE 1

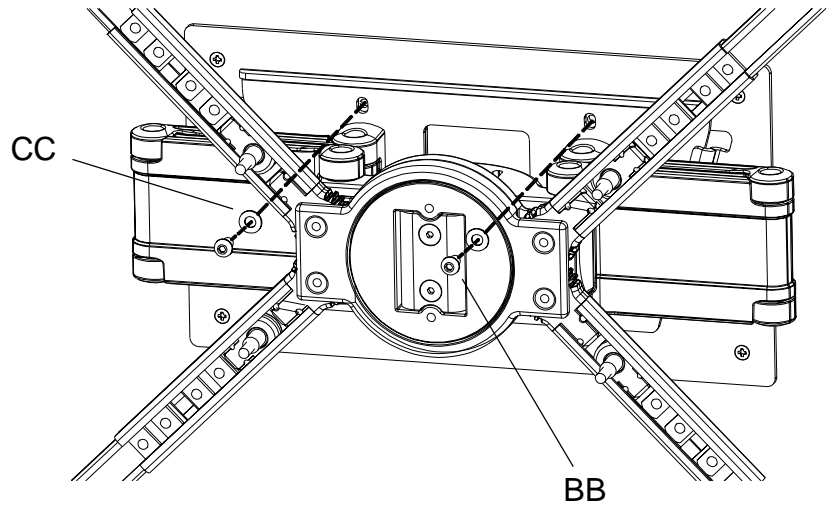
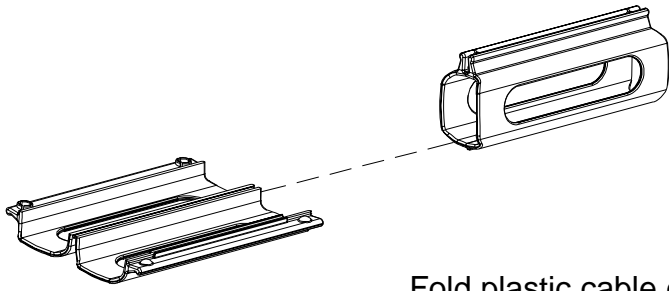


FIGURE 2

BB
(Use 3/16"
Allen wrench
provided)

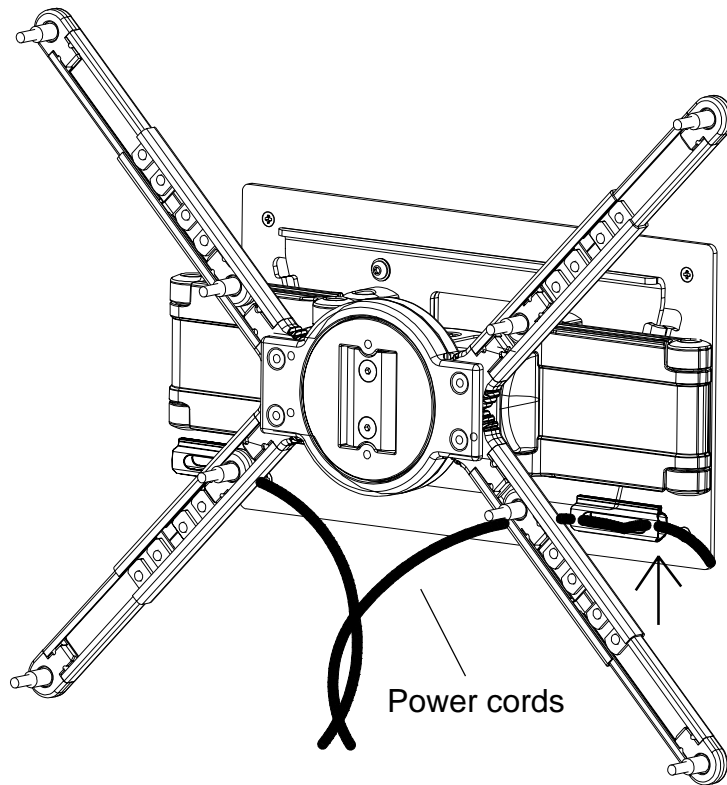
STEP 3

Carefully lift and slide you monitor/arm assembly onto the wall plate as shown in **FIGURE 1**. Then secure arm and wall plate together using screws (**BB**) and washers (**CC**) as shown in **FIGURE 2**.



Fold plastic cable clip closed.

MONITOR NOT SHOWN FOR CLARITY



Feed power cord through clip and then snap clip into bottom slot.

Bretford
11000 Seymour Avenue
Franklin Park, IL 60131
TEL: 847.678.2545
800.521.9614
FAX: 847.678.0852
800.343.1779

Bretford Ltd.
2 Etongate
110 Windsor Road
Slough, Berkshire SL1 2JA England
TEL: 01753 216531
FAX: 01753 539478

www.bretford.com

Part # 031-7262
Rev. 08.07.06 CZ