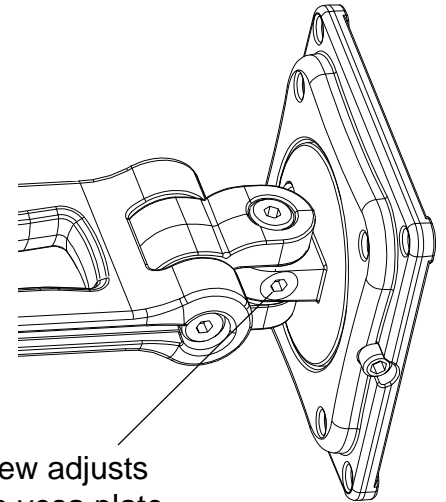
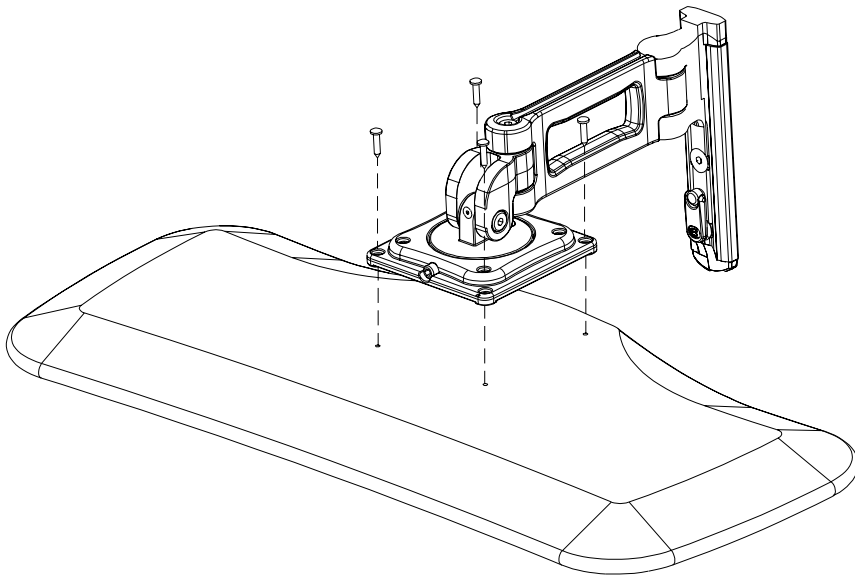
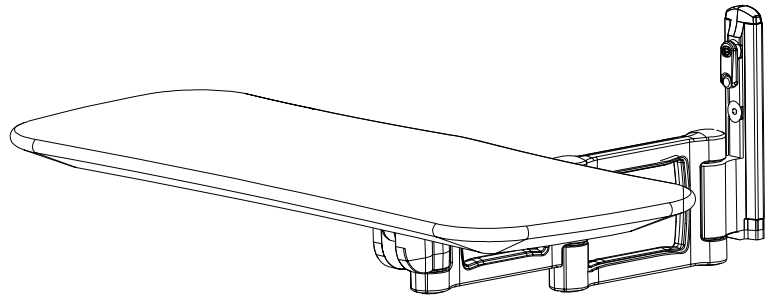
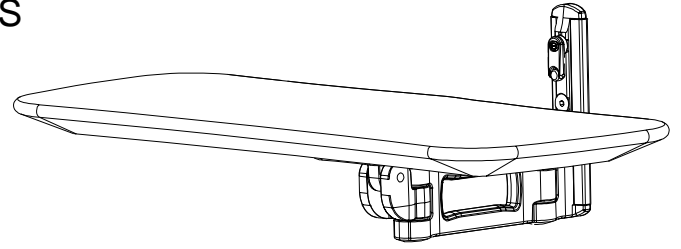




FPPKB1-469 FPPKB2-469
KEYBOARD ACCESSORY SHELVES
Assembly Instructions

Parts List

Qty.	Description
1	SA4298 - Keyboard Shelf
1	Spike Assembly
4	030-1148 - #8 x 3/4" Pan Hd Wood Screws
1	030-0397 - 3/16" Allen Wrench

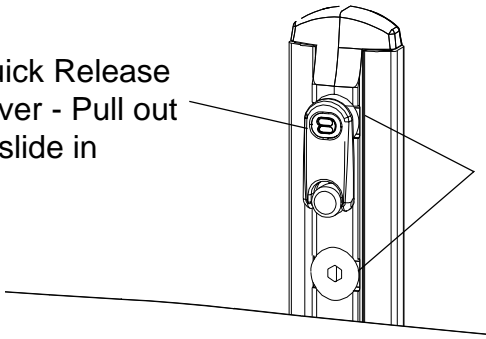


This set screw adjusts the tilt of the vesa plate. Use the 3/16" Allen wrench provided.

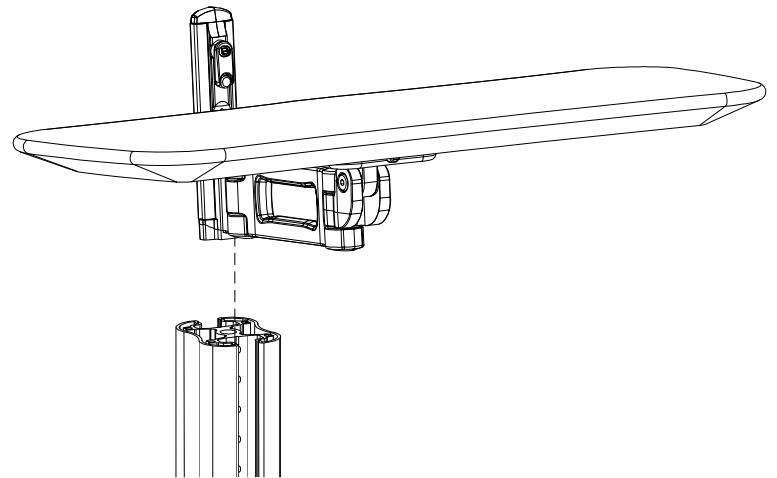
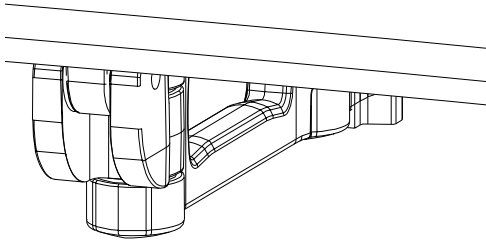
STEP 1

Attach spike assembly to shelf with provided screws as shown.

Quick Release
Lever - Pull out
to slide in



Loosen Screws
Prior to Entry
Tighten to secure in
place. (Use 3/16"
Allen Wrench
Provided)



STEP 2

Slide the shelf assembly into the front of your pole. **NOTE:** Make sure the screws in the spike are loosened and the release lever is pull out while sliding in spike. Once desired location is determined, tighten spike screws.

Bretford
11000 Seymour Avenue
Franklin Park, IL 60131
TEL: 847.678.2545
800.521.9614
FAX: 847.678.0852
800.343.1779

Bretford Ltd.
2 Etongate
110 Windsor Road
Slough, Berkshire SL1 2JA England
TEL: 01753 216531
FAX: 01753 539478

www.bretford.com

Part # 031-7269
Rev. 07.21.06 CZ