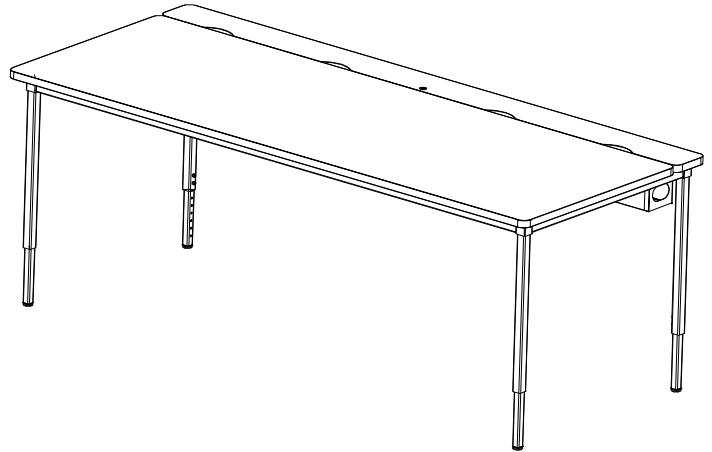




# BRETFORD

## FLIP TOP QUATTRO TABLES

### Assembly Instructions



### Parts List

<u>Qty.</u>	<u>Part No.</u>	<u>Description</u>
4	010-3511	Corner Ties
4	017-0686	Bottom Legs
4	017-1026	Top Legs
1	**	Worksurface & Flip Up Top Assembly

\*\*Part number varies with each size table.

### Hardware List

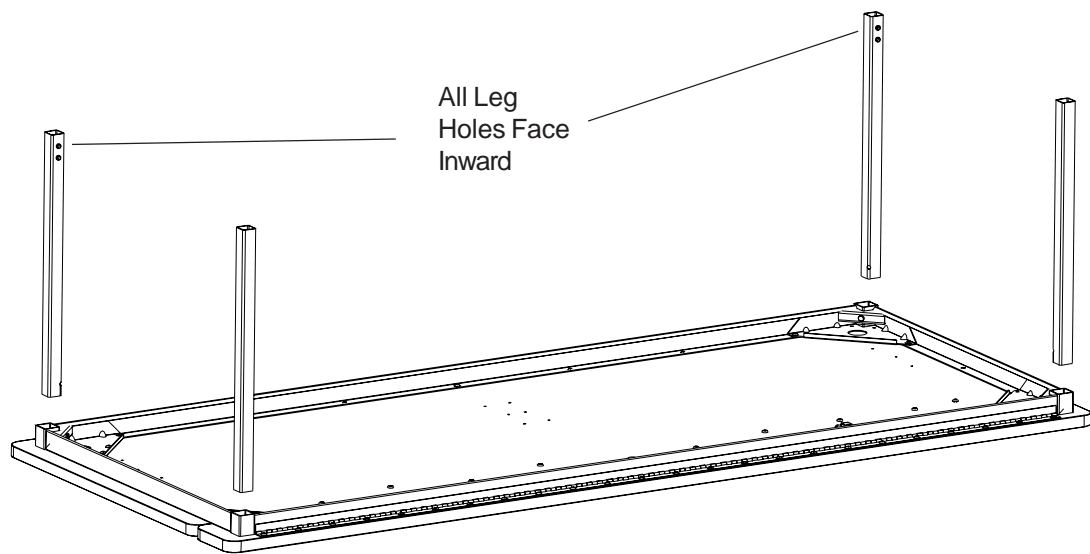
<u>Qty.</u>	<u>Part No.</u>	<u>Description</u>
8	030-0396	3/8-16 x 1/2" Set Screws
4	030-0852	5/16-18 x 1-1/4" Hex Flange Cap Screws
4	015-0084	3/8-16 Glides
**	030-0383	#10 x 1/2" Truss Head Screws **(3) For 30" or 36" Cord Bins **(5) For 42" or 48" Cord Bins **(7) For 60" Cord Bins **(9) For 72" or 84" Cord Bins

### Tools Required

Phillips Screwdriver  
Allen Wrench  
Adjustable Wrench

### ***SAFETY WARNING***

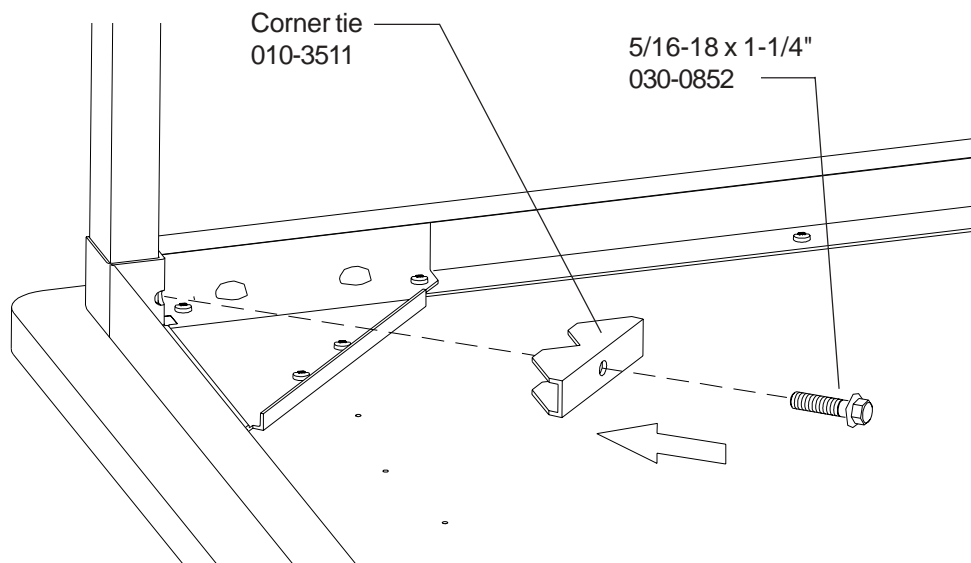
**Note: TWO PERSON  
ASSEMBLY REQUIRED**



### STEP 1

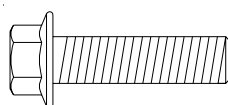
Lay wood top on a carpeted surface as shown. Insert a leg into each corner. The holes on the front legs should face to the inside of the table. The back leg holes can face each other or to the inside of the table which ever you prefer.

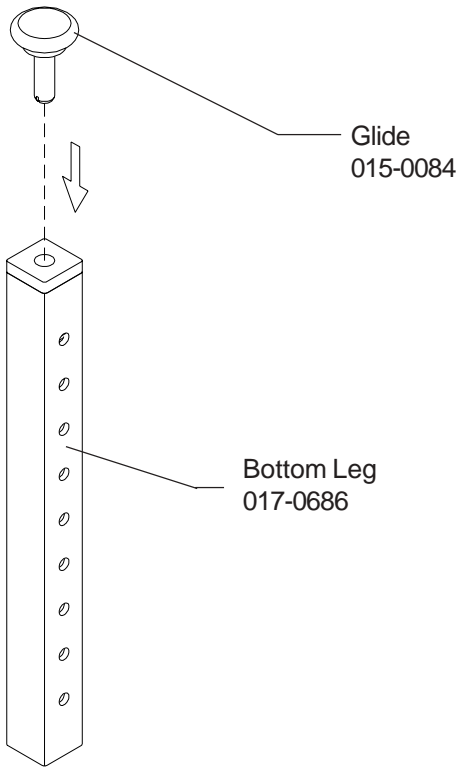
**NOTE:** The view shown has all leg holes facing into the table.



### STEP 2

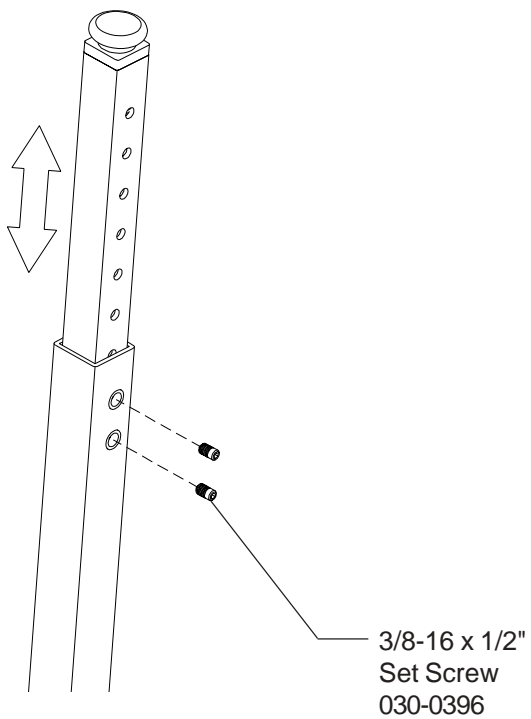
Attach legs with 5/16-18 x 1-1/4" Hex Flange Cap screws (030-0852) and corner ties (010-3511). Tighten all screws.





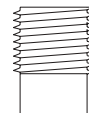
### STEP 3

Screw glides (015-0084) into bottom legs (017-0686). Glides should be fully installed into legs so that the entire stem is inside of leg.

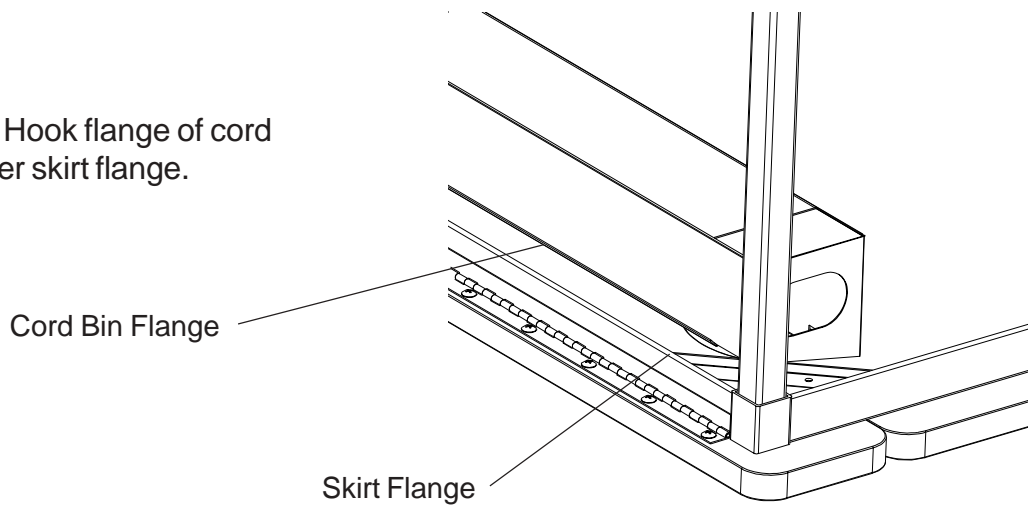


### STEP 4

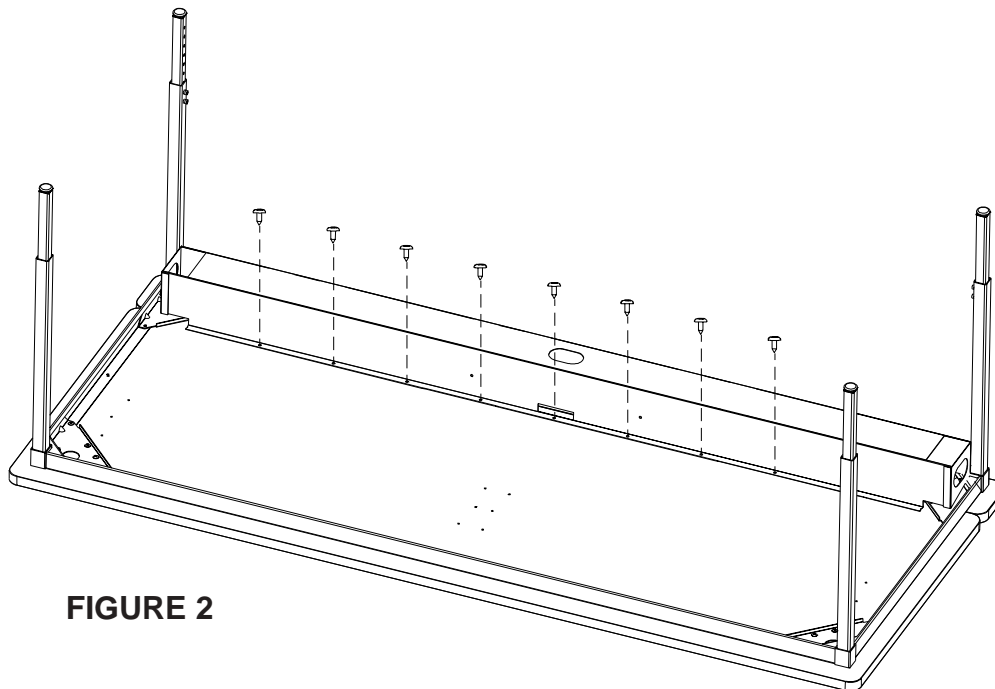
Position holes in legs so that they face each other. Insert bottom legs into top legs. Set desired height and insert 3/8-16 x 1/2" (030-0396) Set screws into legs and tighten with Allen wrench. Stand the unit upright.



**FIRST**, Hook flange of cord bin under skirt flange.



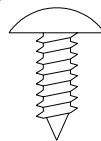
**FIGURE 1**



**FIGURE 2**

**STEP 5**

Position the cord bin between the back legs. Hook the cord bin flange under the skirt flange (FIGURE 1). Then secure cord bin to top using the #10 x 1/2" screws (030-0383) as shown in FIGURE 2. Carefully turn table over.



**Bretford**  
11000 Seymour Avenue  
Franklin Park, IL 60131  
TEL: 847.678.2545  
800.521.9614  
FAX: 847.678.0852  
800.343.1779

**Bretford Ltd.**  
2 Etongate  
110 Windsor Road  
Slough, Berkshire SL1 2JA England  
TEL: 01753 216531  
FAX: 01753 539478

[www.bretford.com](http://www.bretford.com)

Part #031-5137  
Rev 10.12.10 CZ