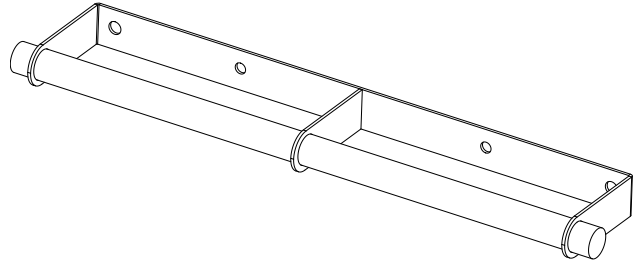




**BRETFORD**

**ETHKIT  
HANDLE KIT  
Assembly Instructions**



**INTENDED FOR:**  
**TC12, TC15, TC35, ECILS1, ECILS15,**  
**ECILS3 & EC4000 CARTS**

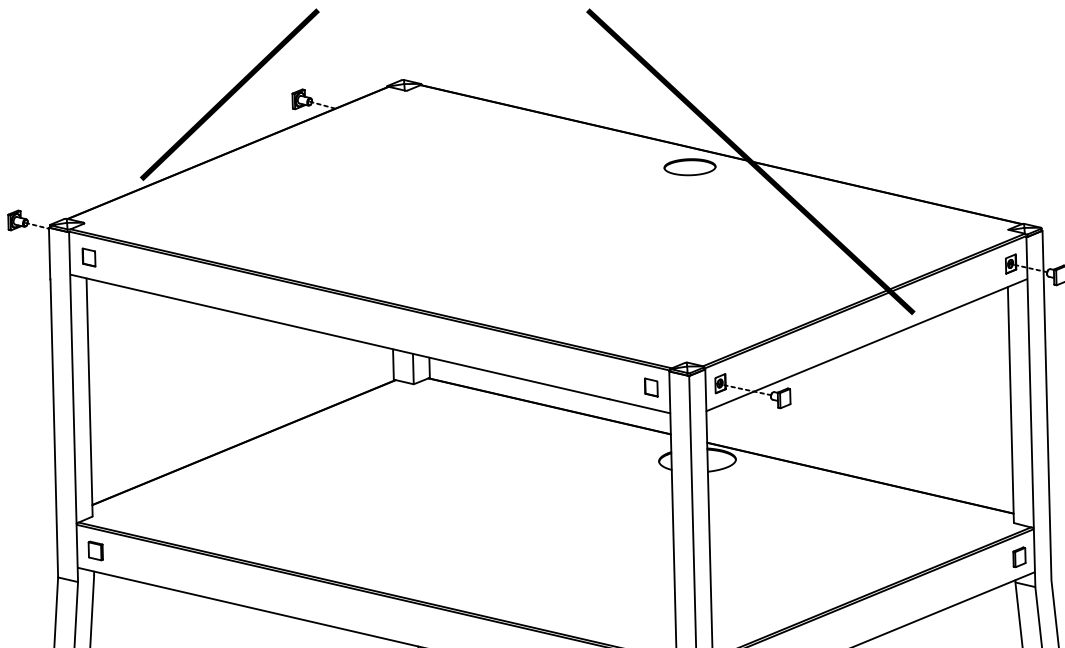
**PARTS LIST**

| Qty | Part#    | Description     |
|-----|----------|-----------------|
| 1   | 022-2834 | Handle Assembly |

**HARDWARE LIST**

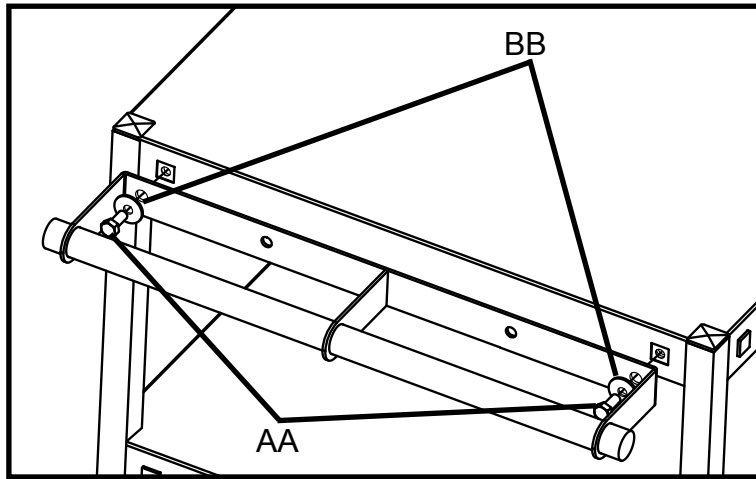
| Ref | Qty | Part#    | Description                  |
|-----|-----|----------|------------------------------|
| AA  | 2   | 030-1349 | 5/16-18 x 3/4" Hex Hd Screws |
| BB  | 2   | 030-0306 | 1" x 21/64" x 1/16" Washers  |

Handle can be installed on either the right or left side so only remove hardware from one side.

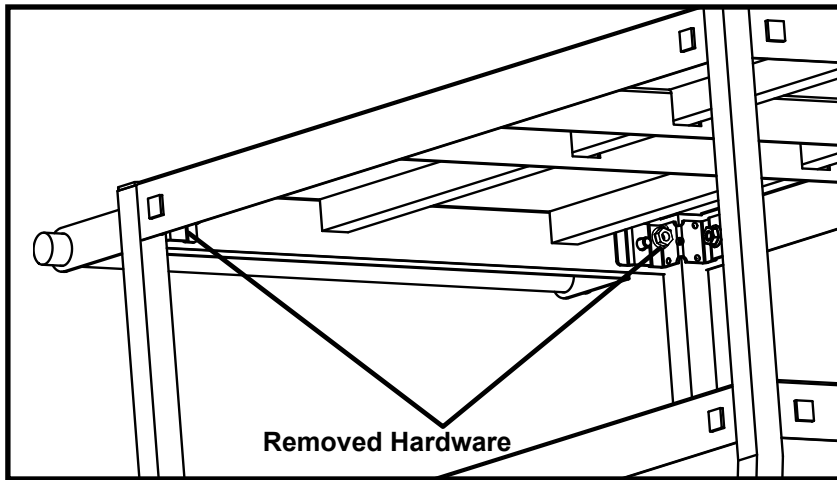


**STEP 1**

Remove either the right or left side hardware from the top shelf. **DO NOT THROW THE NUTS AWAY.** You will reuse them to attach the handle.



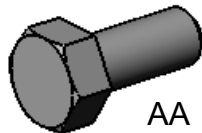
**VIEW FROM ABOVE**  
**FIGURE 1**



**VIEW FROM UNDERNEATH**  
**FIGURE 2**

**STEP 2**

Attach handle with screws (AA), washers (BB) and removed nuts as shown in **FIGURES 1 & 2.**



AA



BB



**(Removed Hardware)**

Bretford  
11000 Seymour Avenue  
Franklin Park, IL 60131  
TEL: 847.678.2545  
800.521.9614  
FAX: 847.678.0852  
800.343.1779

Bretford Ltd.  
2 Etongate  
110 Windsor Road, Slough  
Berkshire SL1 2JA England  
TEL: 011 44 17 5353 9955  
FAX: 011 44 17 5353 9478

[www.bretford.com](http://www.bretford.com)