



# BRETFORD

## ECILS2 / ECILS2M

### NOTEBOOK-DATA PROJECTION CART

#### Assembly Instructions

#### PARTS LIST

Qty	Part#	Description	Ref
2	010-1863	Top & Bottom Shelves	AA
1	010-4514	Slide Out Shelf	BB
2	010-4507	Shelf Support Brackets	CC
1	022-2311	Right Front Leg	DD
1	022-2310	Left Front Leg	EE
1	022-2313	Right Rear Leg	FF
1	022-2312	Left Rear Leg	
2	015-0002	4" Casters w/o Lock	
2	015-0003	4" Casters w/ Lock	
1	030-1191	14" Full Extension Slide	
1	ES	Electrical Unit - ECILS2M ONLY	

#### HARDWARE LIST

Qty	Part#	Description
16	030-0300-10T	5/8" Square Head Bolts
16	030-0002	5/16-18 Hex Serrated Nuts
8	030-0304	1/4-20 x 5/8" Combo Screws
8	030-1228	8-32 x 1/4" Truss Screws
4	030-1203	#8-32 Acorn Nuts
4	02236	8-32 Flange Whis Lock Nuts
1	010-1106	Hex Wrench

#### TOOLS REQUIRED

Hex Wrench (Provided)  
Phillips Screwdriver  
Rubber Mallet

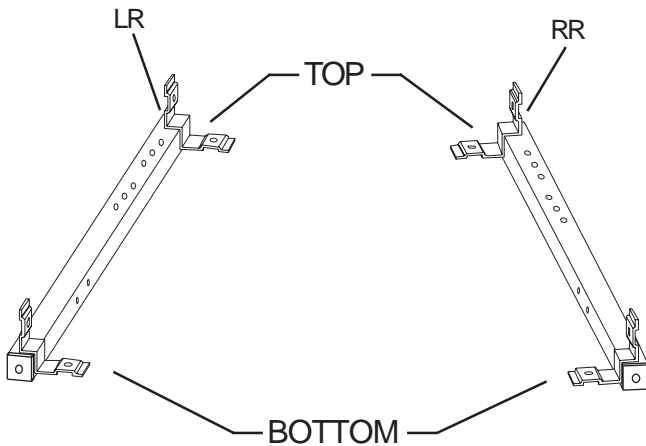
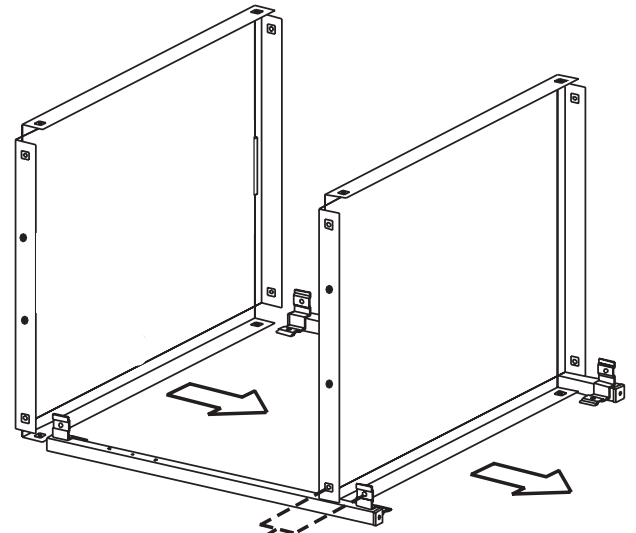


FIGURE 1



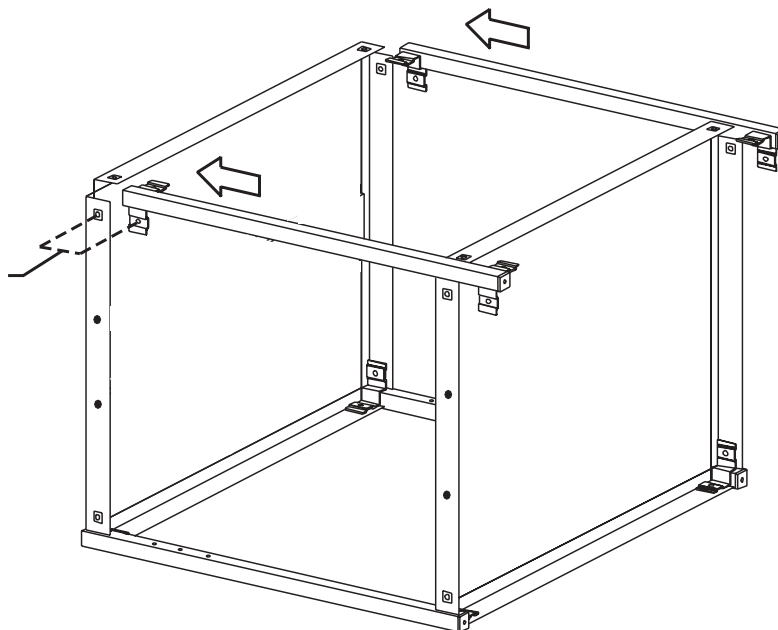
Align shelf embossed mounting hole with leg mounting bracket.  
2 corners each shelf.

FIGURE 2

#### STEP 1

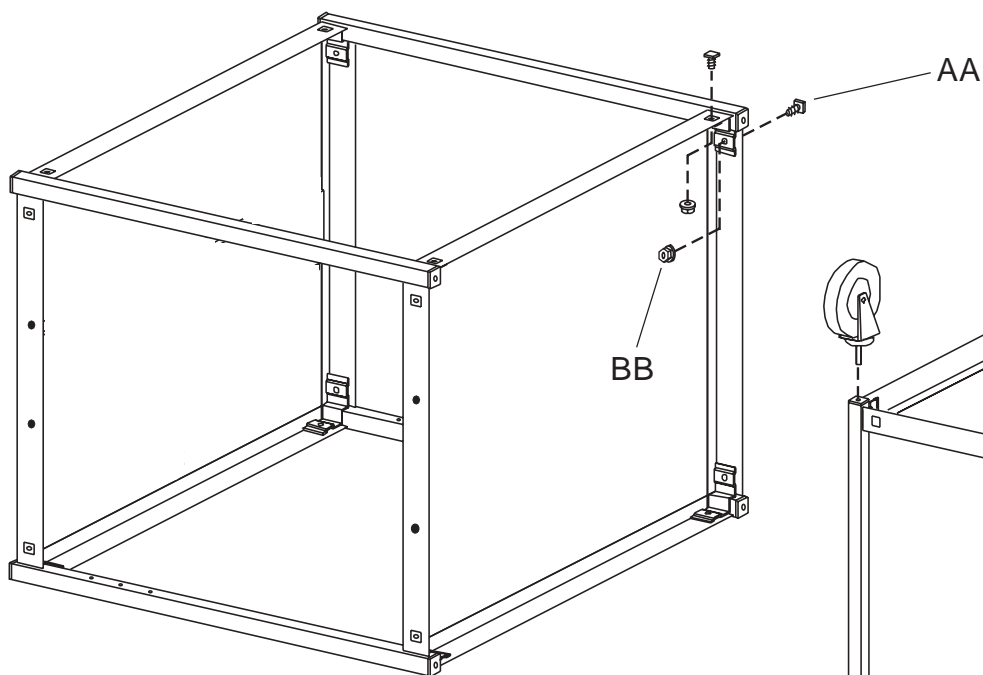
Lay two legs on a carpeted surface with the six top holes facing up and the brackets facing up and in as shown in **Figure 1**. Slide the top and bottom shelves (with 4 square holes toward front) onto the legs so that the brackets are inside the shelves as shown in **Figure 2**.

Align shelf embossed mounting hole with leg mounting bracket.  
2 corners each shelf.



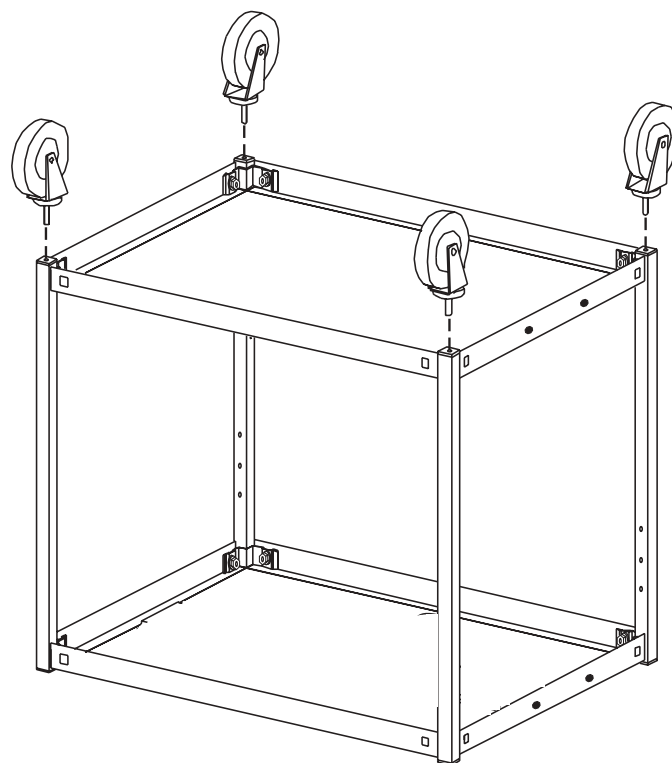
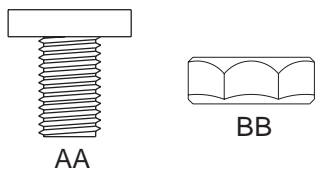
### STEP 2

Slide the remaining two legs onto the shelves  
so that the brackets are inside the shelves.



### STEP 3

Secure shelves and legs together with bolts (AA)  
and nuts (BB) in each corner as shown.



### STEP 4

Insert each caster into the bottom of each leg. If  
caster does not insert easily, use a rubber mallet to  
tap caster in place. Once casters are **SECURELY**  
in place, stand unit upright.

### SHELF SUPPORT BRACKET

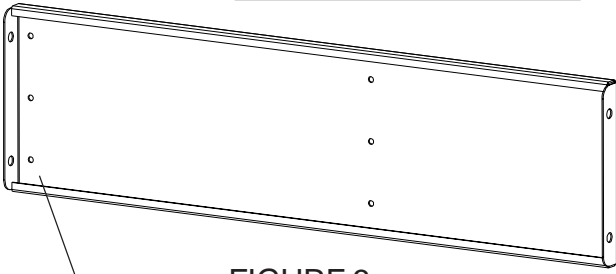


FIGURE 3

These holes need to face the edge you want the shelf to slide out on.

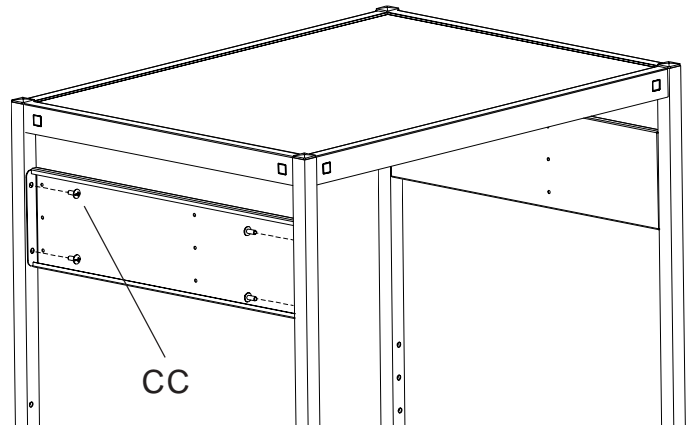
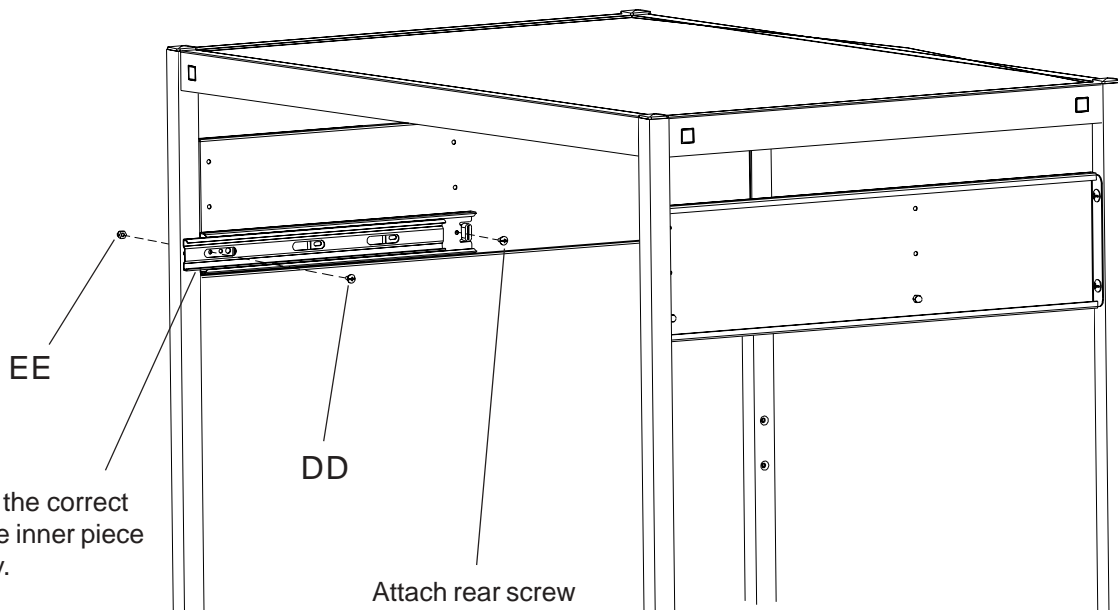


FIGURE 4



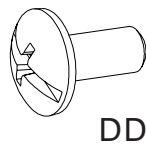
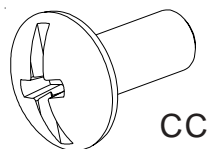
To access the correct holes, slide inner piece out slightly.

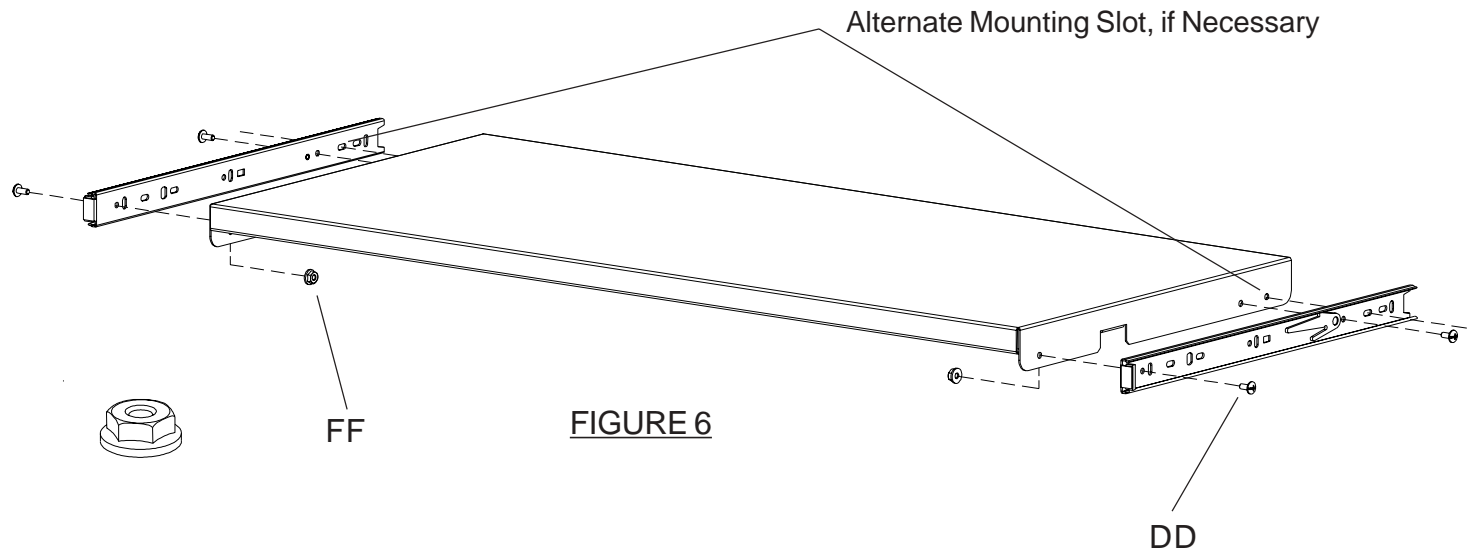
Attach rear screw & nut FIRST.

FIGURE 5

### STEP 5

Determine which side you want your shelf to pull out from. Use **FIGURE 3** as reference. Attach the shelf support brackets to either set of holes (depending on your desired height) between the legs with screws (CC) as shown in **FIGURE 4**. Then separate each slide and attach the outer section to the inside of each shelf support bracket with screws (DD) and nuts (EE) as shown in **FIGURE 5**. **NOTE: Attach rear screw and nut first.**





**FIGURE 7**

**STEP 6**

Attach the remaining slide pieces to the pull out shelf with screws (DD) and nuts (FF) as shown in **FIGURE 6**. Then slide shelf into cart as shown in **FIGURE 7**.

**E-UNIT ASSEMBLY FOR MODEL ECILS2M**

Remove wing nuts from the back of the electrical unit.  
Position E-uni on shelf side and secure with wing nuts.

Bretford  
11000 Seymour Avenue  
Franklin Park, IL 60131  
TEL: 847.678.2545  
800.521.9614  
FAX: 847.678.0852  
800.343.1779

Bretford Ltd.  
Technology House  
7 Lake End Court, Taplow  
Bucks SL6 0JQ England  
TEL: 01628 603558  
FAX: 01628 604923