

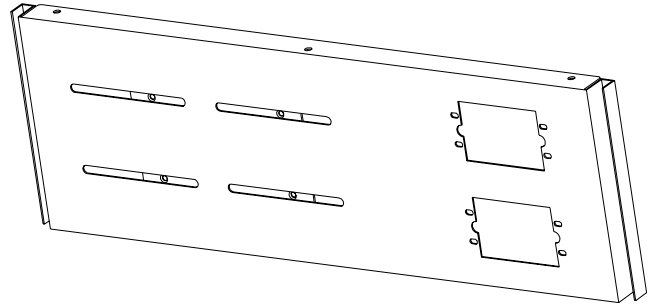


# BRETFORD

## TPM8PLATE

### Ceiling Mount Tray

### Assembly Instructions



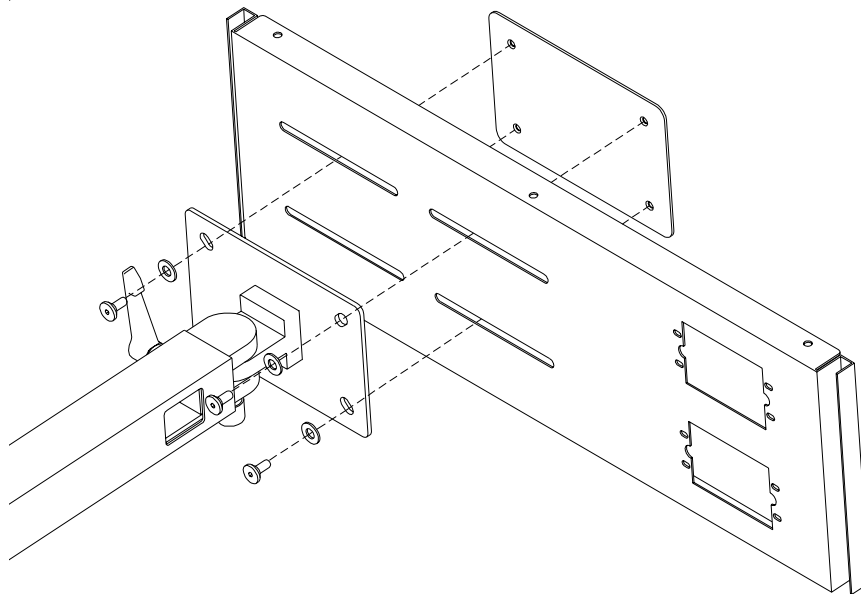
**WARNING: A QUALIFIED PROFESSIONAL SHOULD BE USED TO PROPERLY INSTALL THIS UNIT TO THE CEILING. BRETFORD WILL NOT BE LIABLE FOR THE IMPROPER USE OR INSTALLATION OF ITS PRODUCTS.**

#### PARTS LIST

Qty	Part #	Description
1	010-4070	Ceiling Tray
1	010-4071	Back Plate

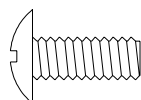
#### HARDWARE LIST

Ref.	Qty	Part #	Description
AA	4	030-0304	1/4-20 x 5/8" Truss Head Screws
BB	4	030-0305	7/8" x 17/64" x 1/16" Washers
CC	1	030-0989	10ft. 1/8 String Wire
DD	4	030-0985	1/4-20 x 5 1/2" Turnbuckles
EE	4	030-0986	Lag Screws
FF	4	030-0987	Concrete Anchors (1/4 x 1 3/4 tie wire)
GG	4	030-0984	10-24 x 5/8" Self Tapping Screws
HH	1	030-0990	12ga. Galv Soft 20' Safety Wire
II	2	030-0988	Safety Wire Clamps

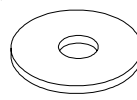


#### STEP 1

Attach the ceiling tray and back plate to your ceiling arm mount as shown using screws (AA) and washers (BB).

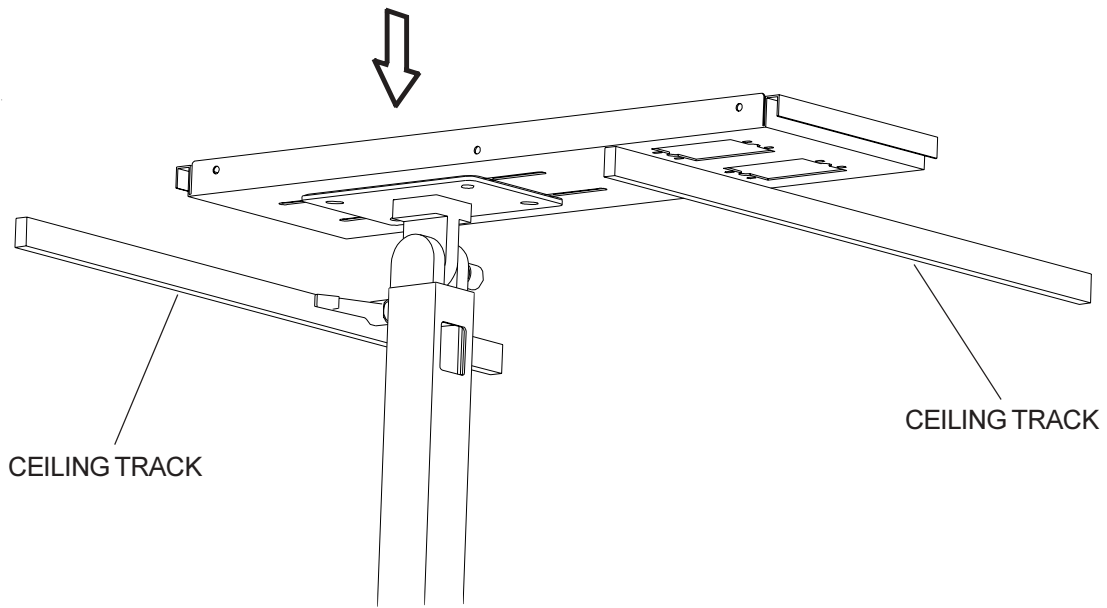


AA



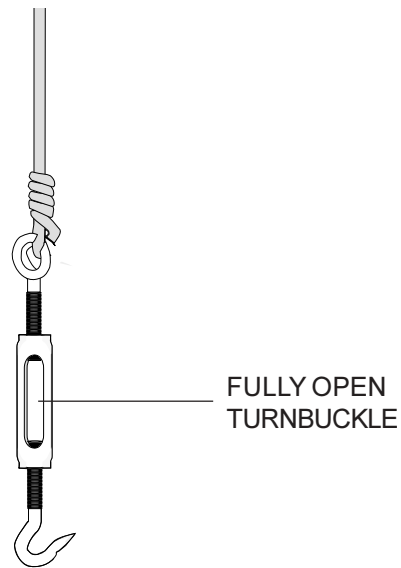
BB

**NOTE: YOUR PROJECTOR SHOULD NOT BE MOUNTED TO THE ARM MOUNT AT THIS TIME.**



## STEP 2

Position the assembled ceiling tray onto your ceiling track. The installation of electrical boxes should be done by a qualified electrician. **NOTE:** For clarity, only the ceiling track is shown.



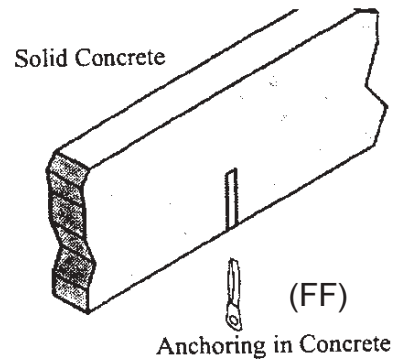
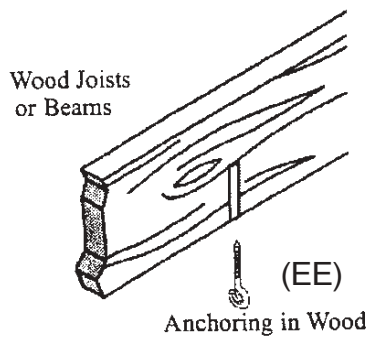
## STEP 3

Cut the 20-ft tie wire (CC) into four equal pieces. Insert the wires through the ends of the turnbuckle (DD). Twist each wire around itself at least four times. Make sure the turnbuckles are fully open as shown.

## STEP 4

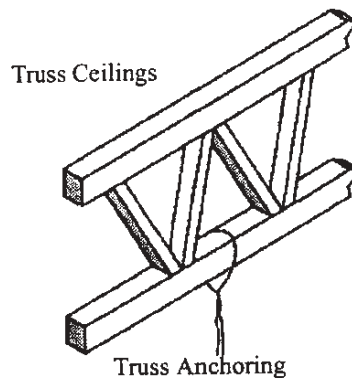
Anchor the tray assembly to the ceiling using the correct anchoring method listed below.

**NOTE:** Position anchoring holes so that the tie wire, when attached and taut, will angle outward at 15°.

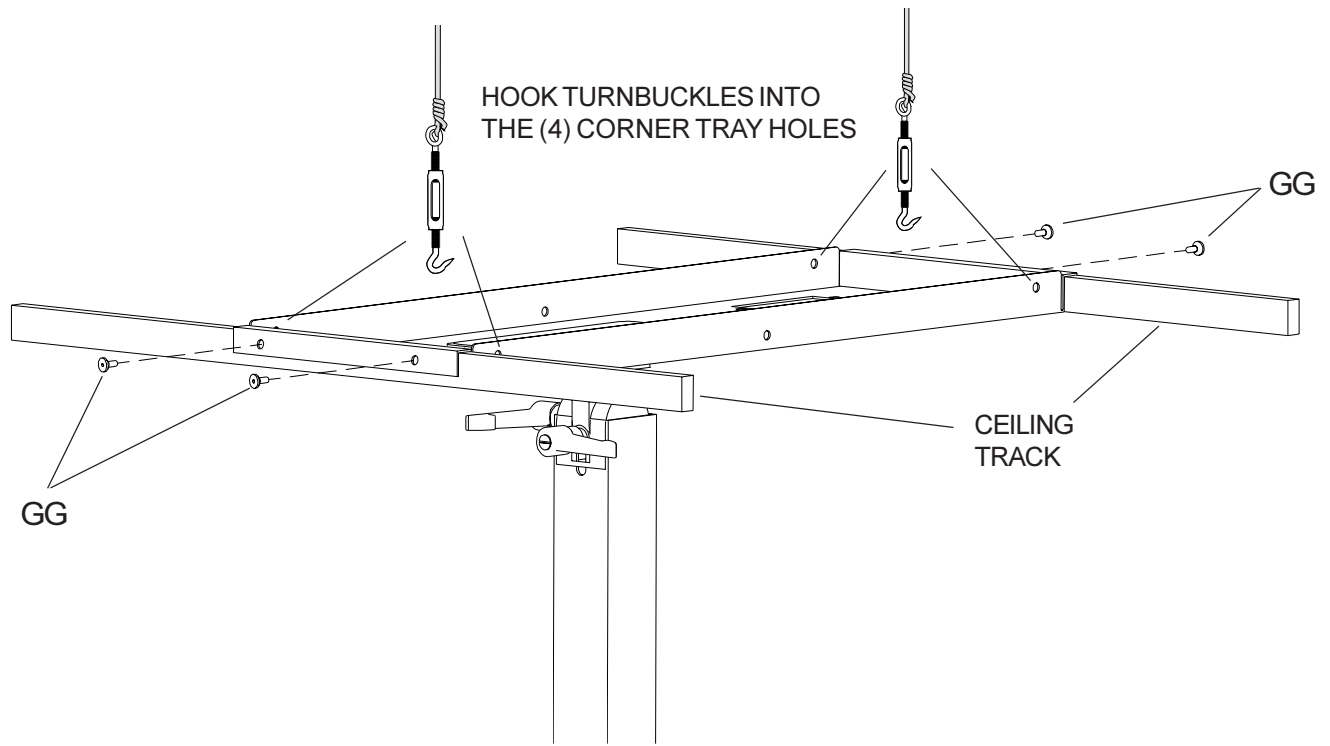


Drill four 5/32" diameter holes, at least 2" deep. Fully insert eye lag screws.

1. Drill four 1/4" diameter holes 1 3/8" deep. Use ANSI B94.12-1977 carbide bit.
2. Tap anchors into hole to an embedded depth of at least 1".
3. Use a hammer with a claw, pull anchor out 1/4" to activate anchor.



Loop the tie wire over the ceiling truss and twist it around itself at least four times. No additional anchor is required.



### STEP 5

Insert screws (GG) into the sides of the ceiling tray as shown and tighten until the screws touch the track. Hook the turnbuckles onto the four corners of the tray. Attach tie wire to ceiling anchors by pulling wire tight and twisting it around itself at least four times. The weight of the ceiling tray should now be supported by the wire ties.

**DO NOT TIGHTEN THE TURNBUCKLES NOW. FOLLOW INSTRUCTIONS BELOW.**

### SECURE THE SAFETY CABLE

**WARNING: IT IS THE RESPONSIBILITY OF THE INSTALLER TO SELECT THE CORRECT CEILING ANCHOR TO SUPPORT THE SAFETY CABLE AND THE COMBINED LOAD OF ALL ATTACHED COMPONENTS.**

1. Drill an anchor hole for the safety wire directly above the center of the ceiling tray.
2. Run the safety cable through the ceiling anchor. Pass each end of the wire through the holes in the ceiling tray and join them with the cable clamp. **DO NOT TIGHTEN YET.**
3. Attach your projector to your arm mount.
4. Adjust the tension on the tie wires by adjusting the turnbuckles.
5. Take up the slack in the safety cable, leaving it slightly loose and tighten both safety cable clamps.

**WARNING: THE LOAD MUST BE CARRIED BY THE TIE WIRES, NOT BY THE SUSPENDED CEILING TRACK.**

**Bretford**  
 11000 Seymour Avenue  
 Franklin Park, IL 60131  
 TEL: 847.678.2545  
 800.521.9614  
 FAX: 847.678.0852  
 800.343.1779

**Bretford Ltd.**  
 Technology House  
 2 Etongate, 110 Windsor Road  
 Slough, Berkshire SL1 2JA England  
 TEL: 01753 53 99 55  
 FAX: 01753 53 94 78