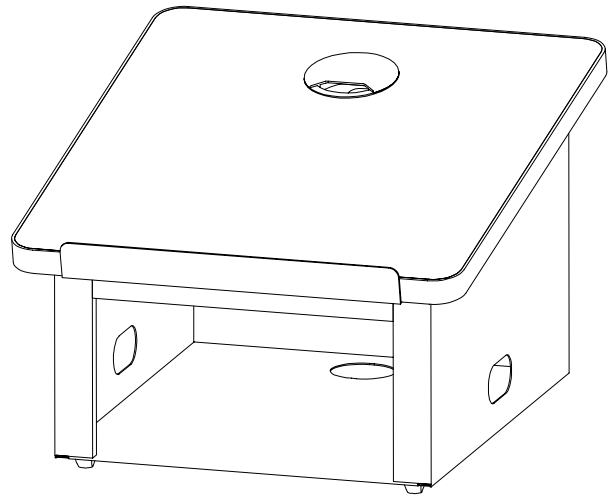


LECT5

Table Top Lectern

Assembly Instructions



HARDWARE LIST

Ref	Qty	Part#	Description
AA	4	015-0070	Black Rubber Bumpers

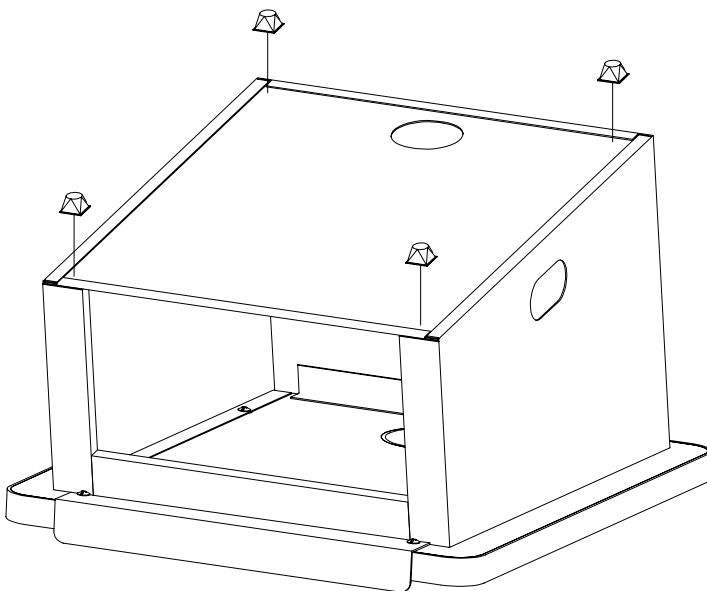


FIGURE 1

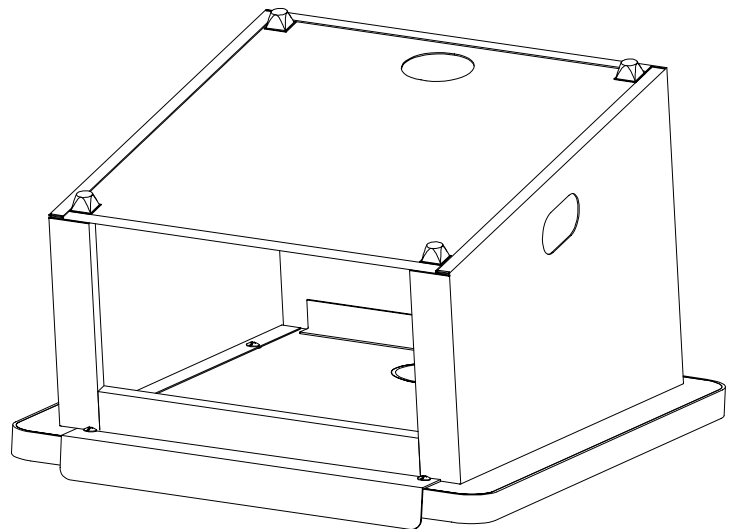


FIGURE 2

Turn lectern unit over. Remove adhesive backing from rubber bumper and attach one bumper in each corner as shown in **FIGURE 1**. For best stability, position the bumpers on the flat surface not the flanged area as shown in **FIGURE 2**. Turn unit over and place in desired location.

Bretford
 11000 Seymour Avenue
 Franklin Park, IL 60131
 TEL: 847.678.2545
 800.521.9614
 FAX: 847.678.0852
 800.343.1779

Bretford Ltd.
 Technology House
 2 Etongate, 110 Windsor Road
 Slough, Berkshire SL1 2JA England
 TEL: 01753 53 99 55
 FAX: 01753 53 94 78