

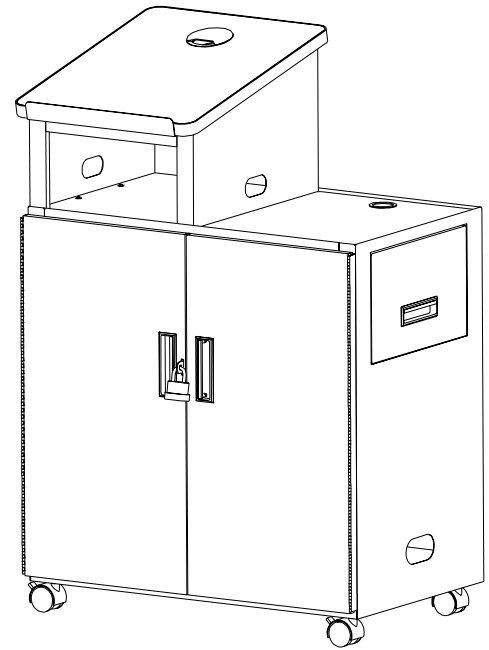


BRETFORD™

LECTTG3018

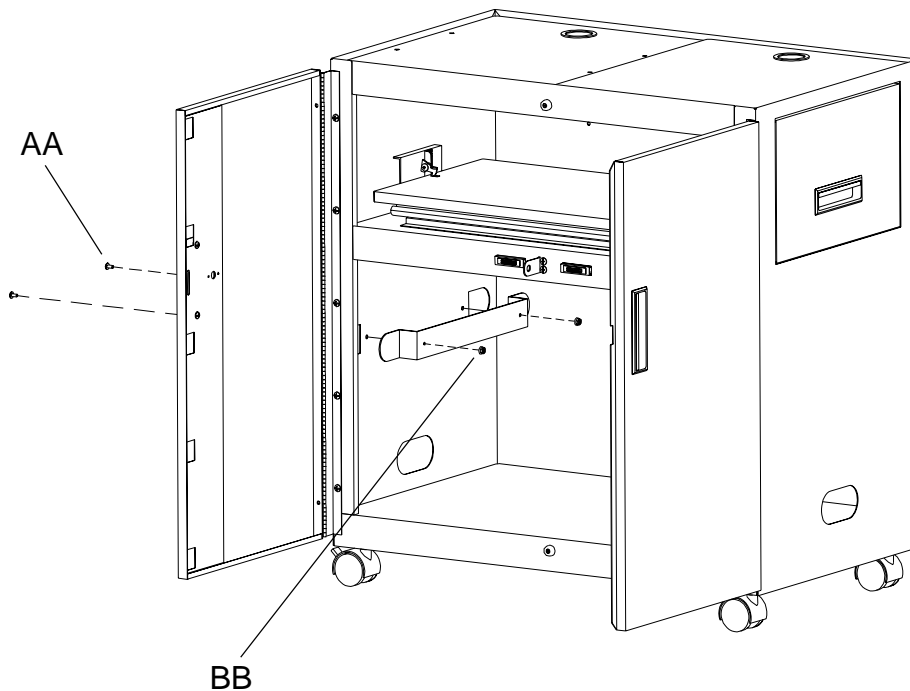
**PODIUM WITH DOORS
AND DRAWERS**

Assembly Instructions



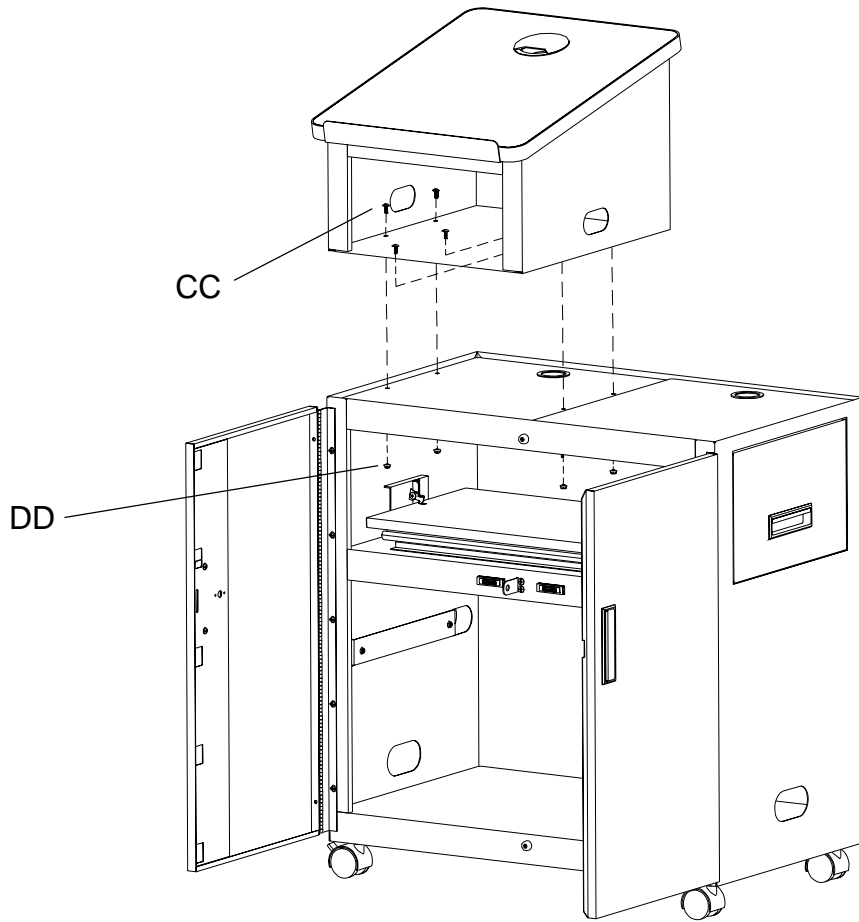
Hardware List

Ref.	Qty.	Part #	Description
AA	2	030-0302	#8-32 x 1/2" Combo Truss Screws
BB	2	02236	#8-32 Whizlock Flange Nuts
CC	4	030-0291	#10-32 X 1/2" Truss Head Screws
DD	4	030-0357	10-32 Flanged Hex Nuts



STEP 1

Open cabinet doors and remove lectern top. Attach cord winder with screws (AA) and nuts (BB) as shown.



STEP 2

The lectern top can be mounted on either side. If necessary, the rubber mat can be moved. Simply remove both grommets, move rubber mat to opposite side and reinstall grommets. Attach top to podium with screws (CC) and nuts (DD) as shown.

Bretford
11000 Seymour Avenue
Franklin Park, IL 60131
TEL: 847.678.2545
800.521.9614
FAX: 847.678.0852
800.343.1779

Bretford Ltd.
2 Etongate
110 Windsor Road
Slough, Berkshire SL1 2JA England
TEL: 01753 216531
FAX: 01753 539478

www.bretford.com

Part # 031-5102
Rev. 07.17.06 CZ