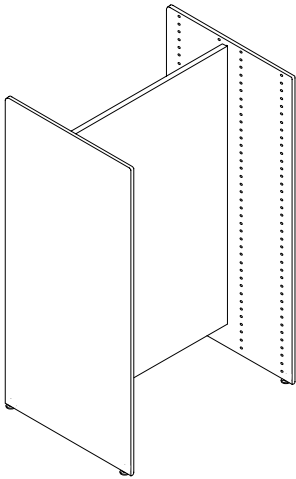




**BRETFORD**



# BOOK SHELVES

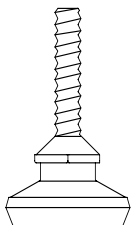
With Back Panel

## PARTS LIST

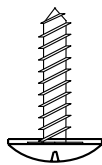
REF	QTY	DESCRIPTION
A17	2	End Panels
A18	2	Panel Supports (29", 36" and 42" Units)
A18	4	Panel Supports (60" and 84" Units)
A19	1	Rear Panel

## HARDWARE LIST

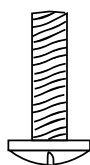
REF	QTY	DESCRIPTION
AA	4	Levelers
HH	10	#10 x 5/8" Wood Screws (29", 36" and 42" Units)
HH	20	#10 x 5/8" Wood Screws (60" and 84" Units)
TT	4	1/4"-20 x 5/8" Machine Screws (29", 36" and 42" Units)
TT	8	1/4"-20 x 5/8" Machine Screws (60" and 84" Units)



**AA**

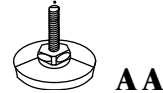


**HH**



**TT**

### STEP 1

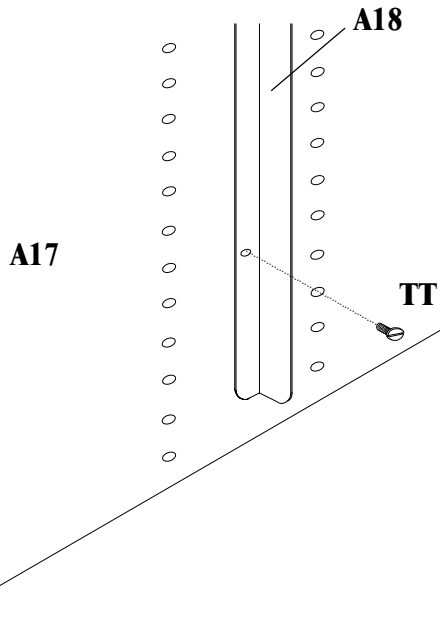


Fully install levelers (AA) on the bottom of all new panels.

### NOTE:

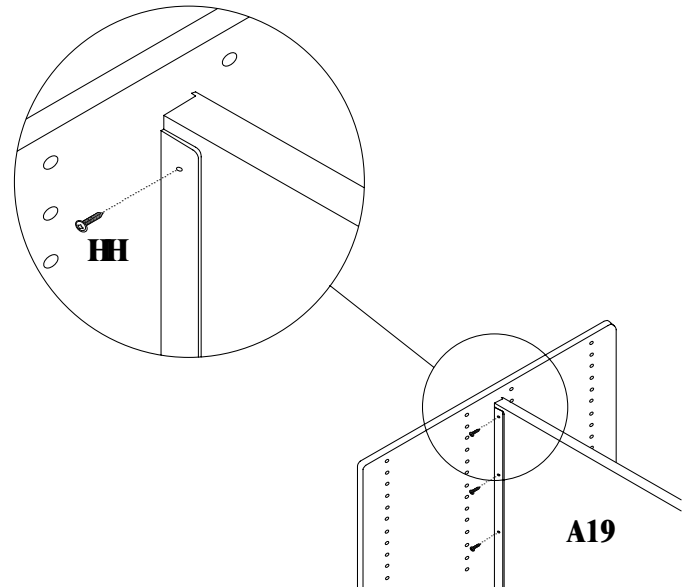
*The Bookshelf described in this sheet should be assembled before any other part of the Legacy Collection.*

## STEP2



Attach panel supports (A18) to end panels (A17) with machine screws (TT).

## STEP3



Attach the back panel (A19) to the panel supports using wood screws (HH).

Note: If assembling more than one bookcase in a row, refer to the ADD-ON instruction sheet.

**Bretford**  
11000 Seymour Avenue  
Franklin Park, IL 60131  
TEL: 847.678.2545  
800.521.9614  
FAX: 847.678.0852  
800.343.1779

**Bretford Ltd.**  
Technology House  
7 Lake End Court, Taplow  
Bucks SL6 0JQ England  
TEL: 01628 603558  
FAX: 01628 604923

[www.bretford.com](http://www.bretford.com)

Part #A11008  
Rev. 2.26.97 CH