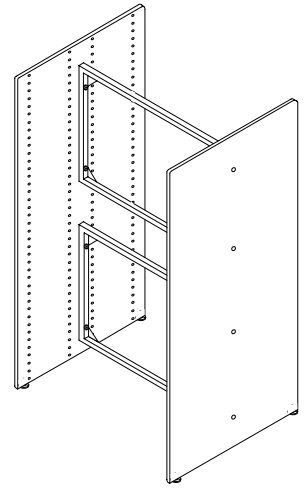




BRETFORD

LEGACY COLLECTION Assembly Instructions BOOKSHELF

60", 72" & 84" High



PARTS LIST

Qty	Description
1	Right End Panel
1	Left End Panel
2	Metal Frame
1	Mounting Bracket

HARDWARE LIST

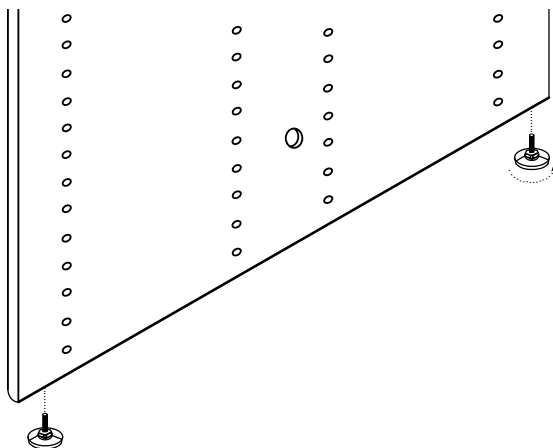
Qty	Description
4	Levelers
8	1/4"-20 Joint Bolt (1 3/4")
8	#12 x 1/2" Phillips Pan Screws
8	7/8" x 17/64" x 1/16" Washers
1	Hex Key
1	1/4"-20 x 2-1/2" Hex Head Lag Screw

WARNING:

All single face shelving units should be affixed to the wall.
Use the wall/floor mounting bracket (LWFMK) provided.

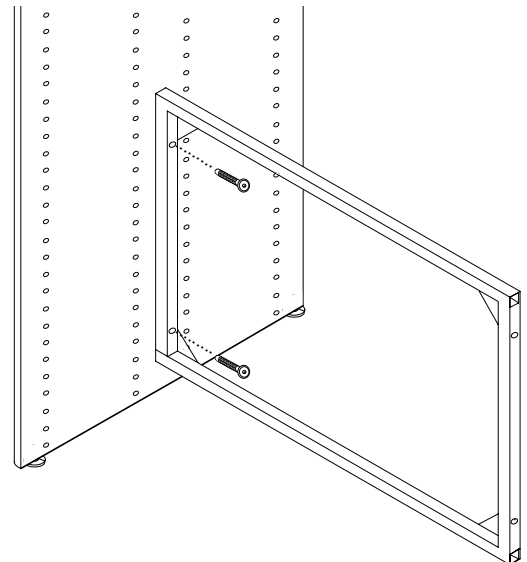
NOTE:

The Bookshelf described in this sheet should be assembled
before any other part of the Legacy Collection.



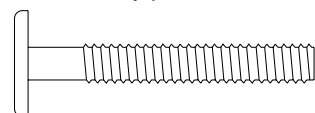
STEP 1

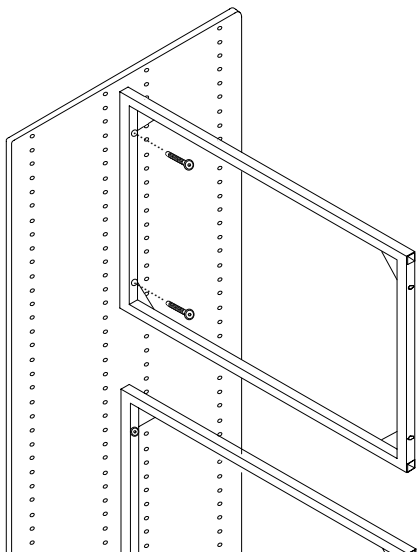
Fully install levelers on the bottom of both end panels.



STEP 2

Attach the lower frame to the left end panel (holes facing in) with 1/4"-20 x 1 3/4" joint bolts as shown. Tighten bolts with hex key provided.

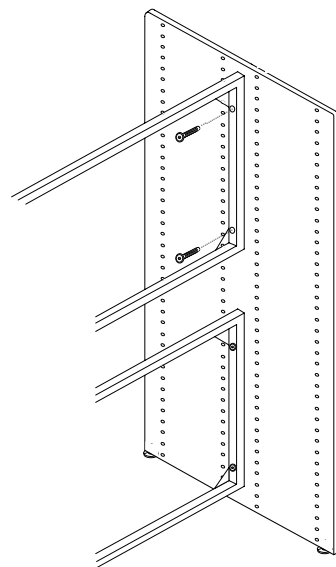




STEP 3

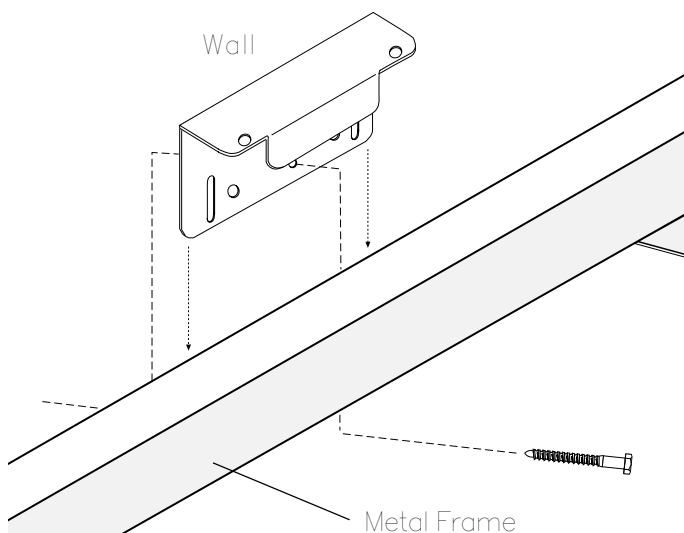
Attach the upper frame to the left end panel with bolts as shown. Tighten bolts with hex key provided.

NOTE: On 84" units use the bottom 2 and top 2 holes for frame attachment.



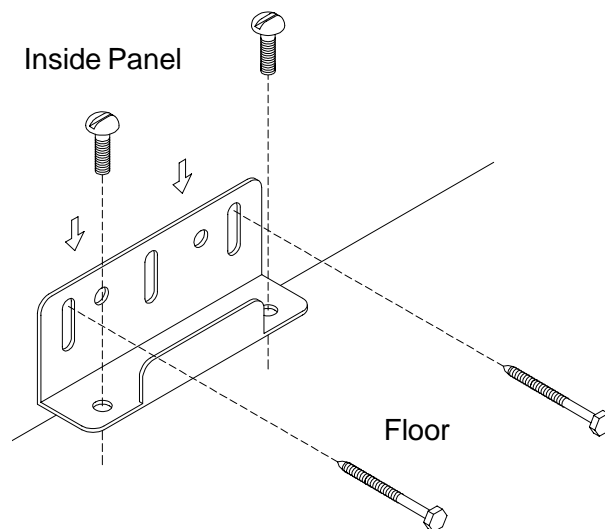
STEP 4

Install the other end panel to the frames with bolts as shown. **NOTE:** If assembling more than one bookcase in a row, refer to the ADD-ON instruction sheet before attaching the last panel. Connection for Adder Panel uses shorter bolts.



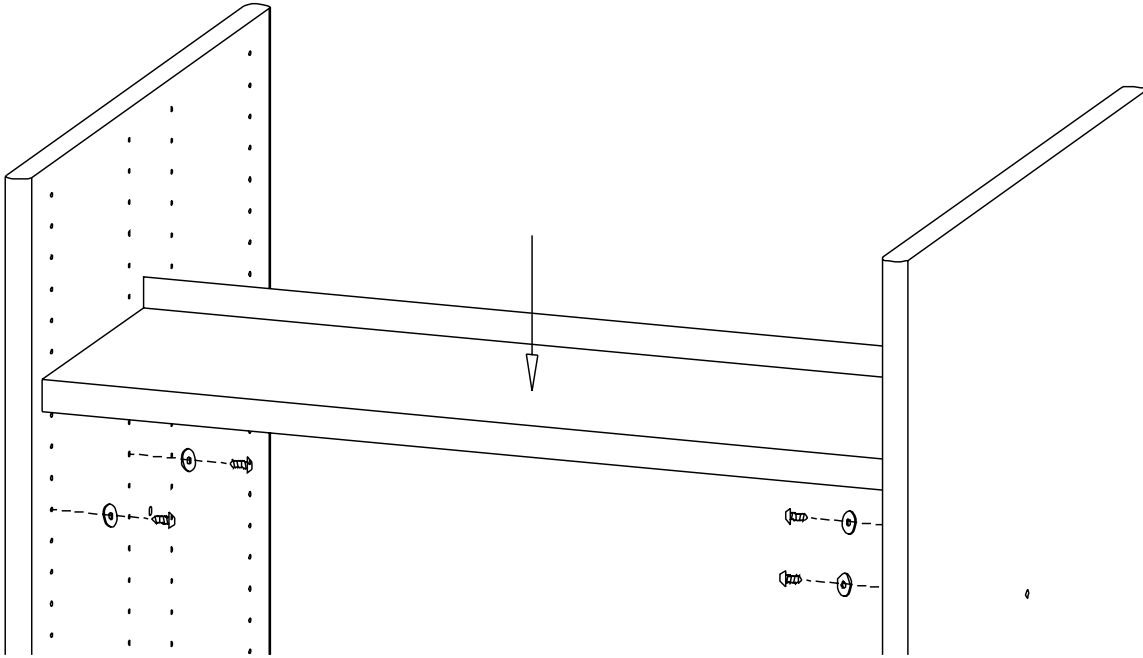
STEP 5 (SINGLE FACE MODELS ONLY)

Slide bracket over center of the **upper** frame. Attach to wall through center slot of bracket using 1/4-20 x 2-1/2" Hex Head Lag Screw. You may need to use a blocker between the wall and bracket to seal a gap.



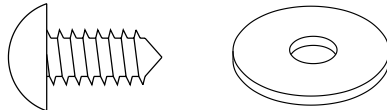
STEP 6 (SINGLE & DOUBLE FACE MODELS ONLY)

Position bracket on inside of panel along the floor. Center the bracket on the panel and secure to floor. Attach bracket to unit through slots using two wood screws.



STEP 6 (STEEL SHELF UNIT ONLY)

One shelf in each starter unit **MUST** be attached with screws and washers. **LOOSELY** insert a washer and screw into the holes in each side panel in your desired location as shown. Slide shelf down onto the hardware making sure that the **shelf** is **positioned between the side panel and washer**. Tighten hardware to secure shelf in place. The rest of the shelves in your unit may be attached as described in their instructions.



Bretford
11000 Seymour Avenue
Franklin Park, IL 60131
TEL: 847.678.2545
800.521.9614
FAX: 847.678.0852
800.343.1779

Bretford Ltd.
Technology House
7 Lake End Court, Taplow
Bucks SL6 0JQ England
TEL: 01628 603558
FAX: 01628 604923

www.bretford.com

Part#A11006
Rev.07.30.02 IM