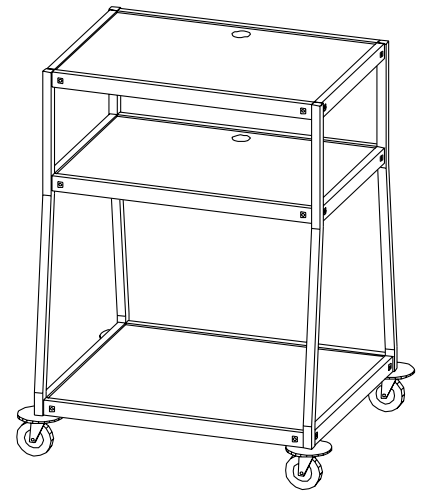


CBG Caster Bumper Pack Assembly Instructions



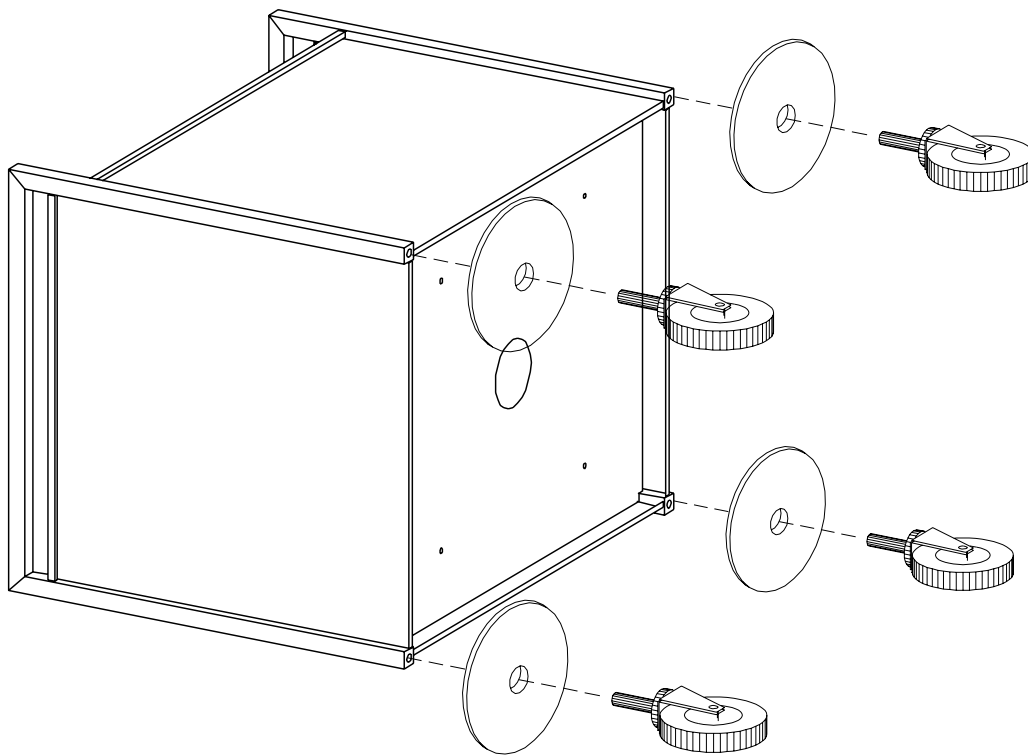
Bumpers shown on Bretford model BB44

PARTS LIST

Qty	Part#	Description
4	015-0092	Rubber Bumpers

TOOLS REQUIRED

Rubber Mallet



Carefully lay your unit on its back. Using a rubber mallet; tap each caster out of the legs. Position one bumper over the stem of the caster. Insert bumper and caster into the leg of your unit. If bumper and caster do not push in easily, use a rubber mallet to secure them in place. Once all bumper and casters are inserted, stand unit upright.

Bretford
11000 Seymour Avenue
Franklin Park, IL 60131
TEL: 847.678.2545
800.521.9614
FAX: 847.678.0852
800.343.1779

Bretford Ltd.
Technology House
7 Lake End Court, Taplow
Bucks SL6 0JQ England
TEL: 01628 603558
FAX: 01628 604923