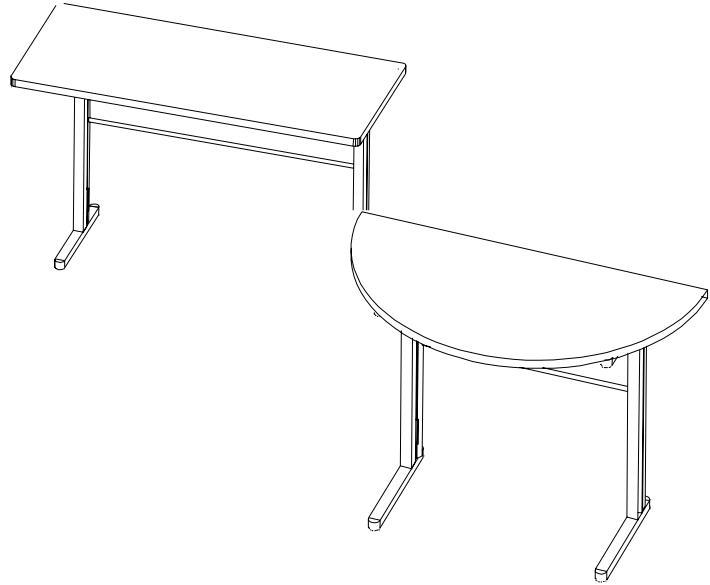




# BRETFORD

## CR8502 RECTANGULAR TABLE CR8505 HALF-MOON TABLE Assembly Instructions



### PARTS LIST

Qty	Part#	Description
1	SA1708	Wood Top (8502 Grey)
	SA1708WC	Wood Top (8502 Wild Cherry)
	SA1710	Wood Top (8505 Grey)
	SA1710WC	Wood Top (8505 Wild Cherry)
1	022-1634	Base Assembly (8502)
	022-1603	Base Assembly (8505)
1	022-1625	Handle (8505)
2	022-1625	Handle (8502)

### HARDWARE LIST

Ref	Qty	Part#	Description
AA	2	010-2148	Leg Latch
BB	2	010-2151	Stop Bracket
CC	20	030-0402	#10-32x5/8" Screw (8502)
CC	16	030-0402	#10-32x5/8" Screw (8505)
DD	2	010-2365	Connector Bracket
EE	4	030-0444	Black Knob (8502)
EE	2	030-0444	Black Knob (8505)

### Phillips Screwdriver TOOLS REQUIRED

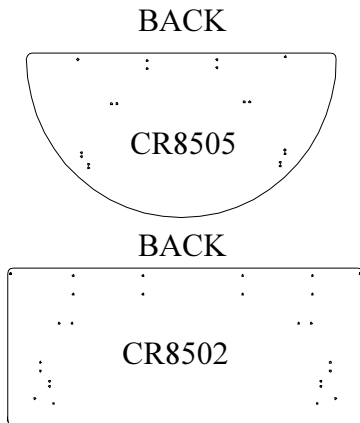
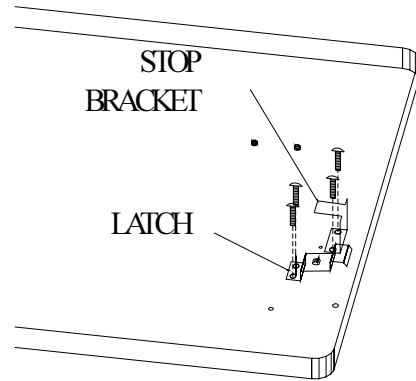
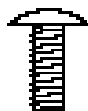


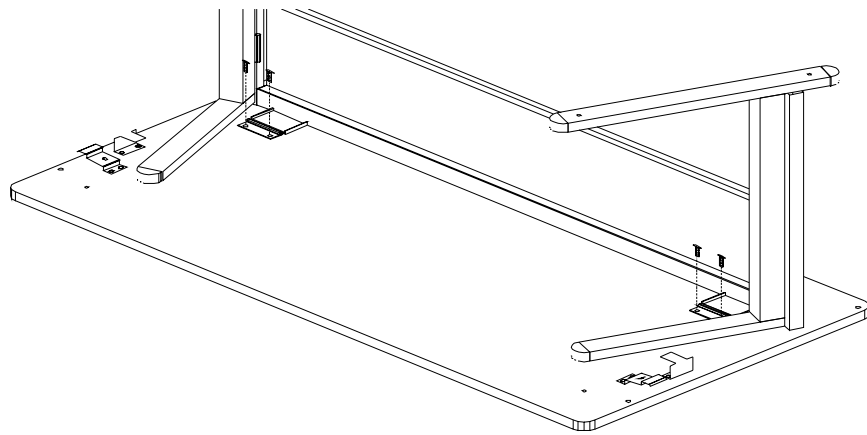
FIGURE 1



### STEP 1

Lay wood top on a clean flat surface with holes facing upward. The 4 hole clusters on one edge is the back side of the top. **(Figure 1)** The 8505 has only one 4 hole cluster because it only has one handle. Loosely attach leg latches and stop brackets to each side of top with screws (CC) as shown in **(Figure 2)**. **DO NOT TIGHTEN SCREWS.**





### STEP 2

Loosely attach base assembly with hinges facing forward to wood top with screws (CC). **NOTE:** Have legs turned in slightly as shown.

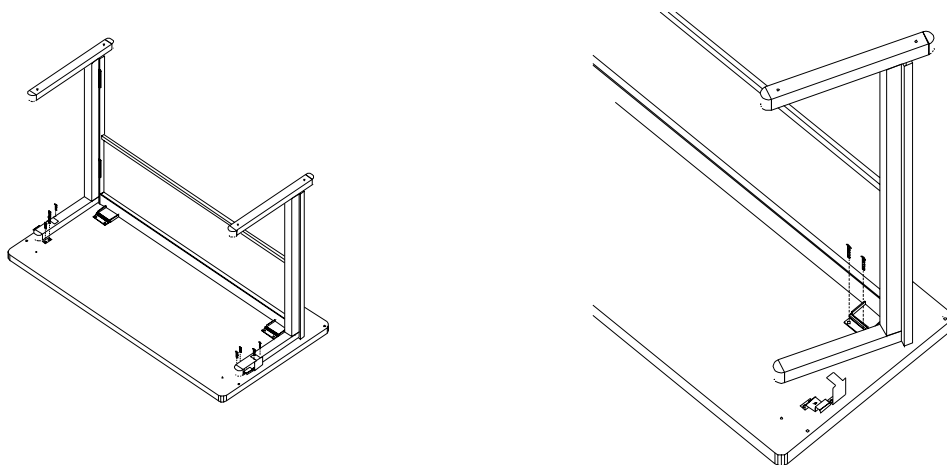
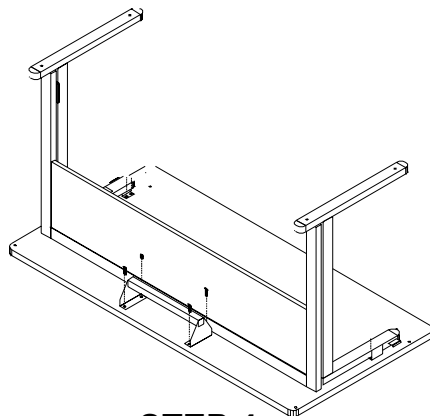


FIGURE 3

### STEP 3

FIGURE 4

Open legs fully and snap in latches. **TIGHTEN FRAME SCREWS ONLY.** **CAUTION:** To avoid pinching hand or finger in hinge, open legs by pulling on the front arm. (**Figure 3**) Hold down latches and close legs slightly. **TIGHTEN LATCHES AND BRACKETS SCREWS (Figure 4).**



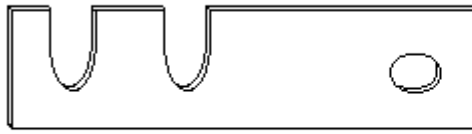
REAR VIEW

### STEP 4

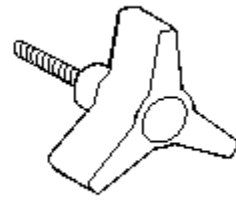
Attach handle to the back of wood top with screws (CC) as shown.  
For 8502 models attach extra handle in the same manner.

**CAUTION:** When storing or setting up table, always turn on top before releasing and folding legs.

# CONNECTOR BRACKET ASSEMBLY

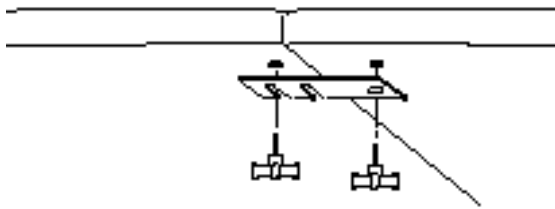


DD



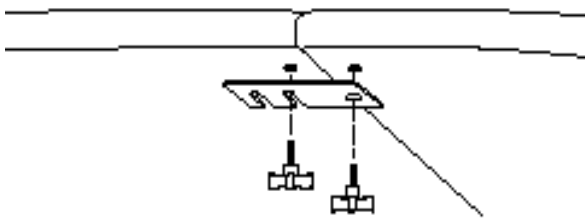
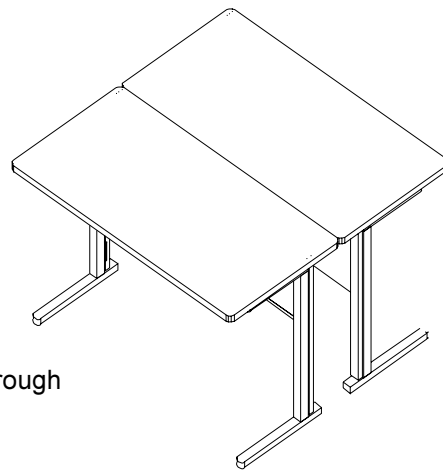
EE

For Models:  
8500 & 8502



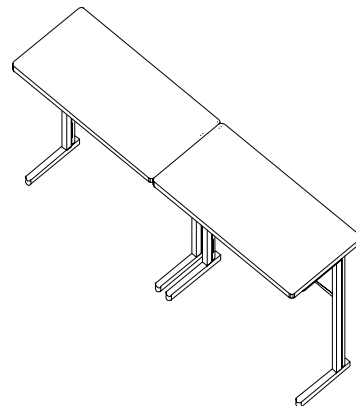
## Joining Back to Back

Insert one knob through bracket hole and one knob through second notch.

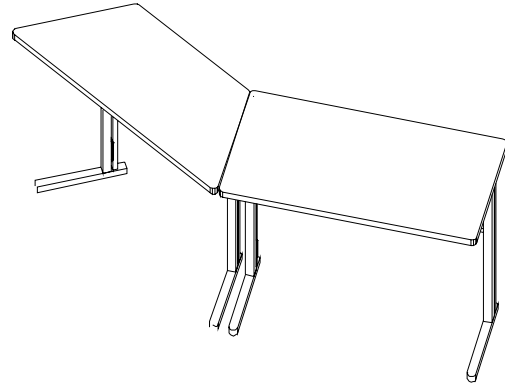
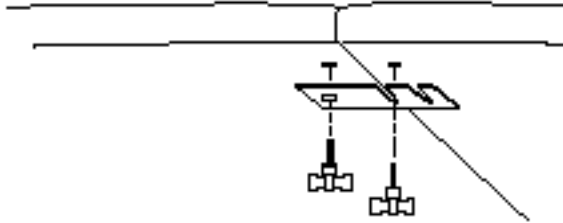


## Joining Side to Side

Insert one knob through bracket hole and one knob through first notch.

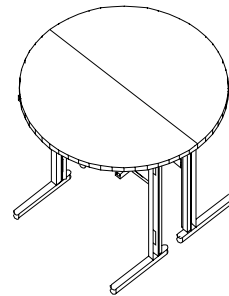
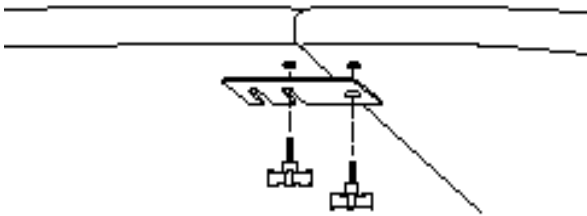


For Models:  
8500 & 8501

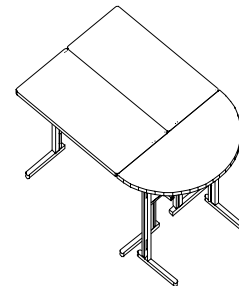


Insert one knob through the bracket hole and one knob through the first notch.

For Models:  
8500 & 8505



Insert one knob through bracket hole and one knob through first notch.



**Bretford**  
11000 Seymour Avenue  
Franklin Park, IL 60131  
TEL: 847.678.2545  
800.521.9614  
FAX: 847.678.0852  
800.343.1779

**Bretford Ltd.**  
Technology House  
7 Lake End Court, Taplow  
Bucks SL6 0JQ England  
TEL: 01628 603558  
FAX: 01628 604923

[www.bretford.com](http://www.bretford.com)

Part #031-1679  
Rev. 5-03 LA