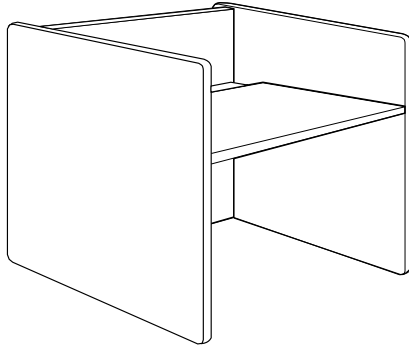




# BRETFORD

## COMPUTER CARREL

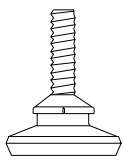


### PARTS LIST

| REF | QTY | DESCRIPTION      |
|-----|-----|------------------|
| A7  | 1   | Right Panel      |
| A8  | 1   | Left Panel       |
| A9  | 1   | Back Panel       |
| A10 | 1   | Shelf            |
| A11 | 1   | Stiffener        |
| A15 | 1   | Cover            |
| A16 | 1   | Small Cable Tray |
| A17 | 1   | Large Cable Tray |
| A18 | 1   | Lock hardware    |
| Y   | 2   | Shelf Supports   |

### HARDWARE LIST

| REF | QTY | DESCRIPTION                 |
|-----|-----|-----------------------------|
| AA  | 4   | Levelers                    |
| FF  | 4   | Mod'eez pins                |
| HH  | 4   | 10 x 5/8" Pan Hd Wood Screw |
| MM  | 4   | 1/4-20 x 1/2" Machine Screw |



**AA**



**FF**

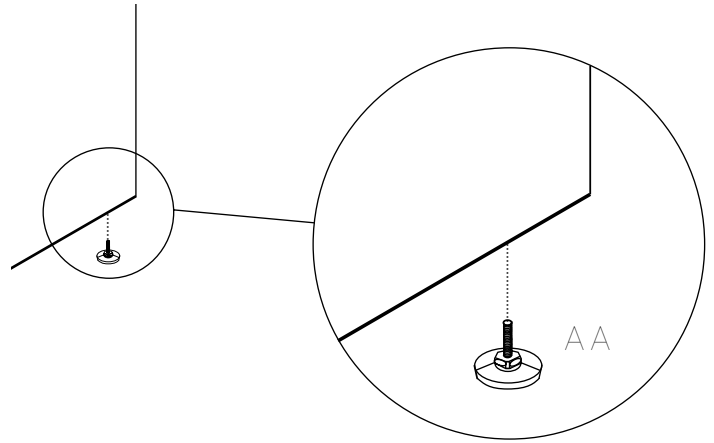


**HH**



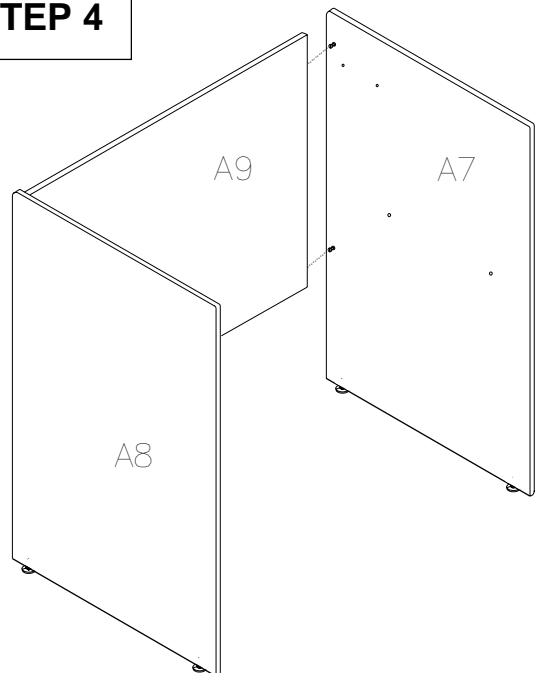
**MM**

### STEP 1



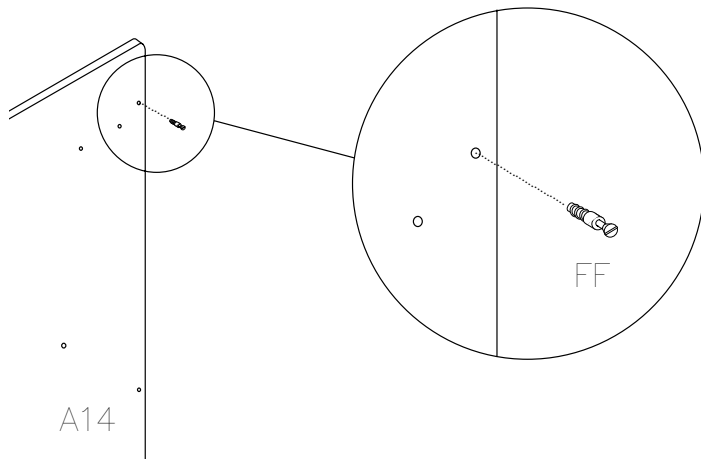
Fully install levelers (AA) on the bottom of each Leg.

### STEP 4



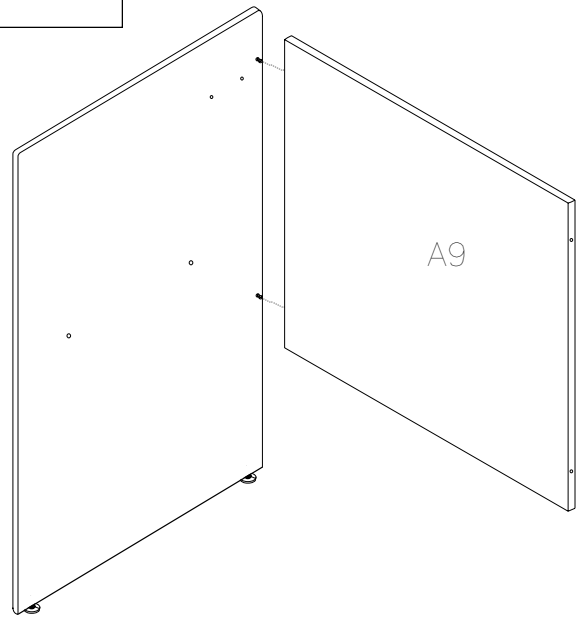
Attach the right panel (A7) to the back panel in the same manner. Next pound panel (A9) down with rubber mallet.

## STEP 2



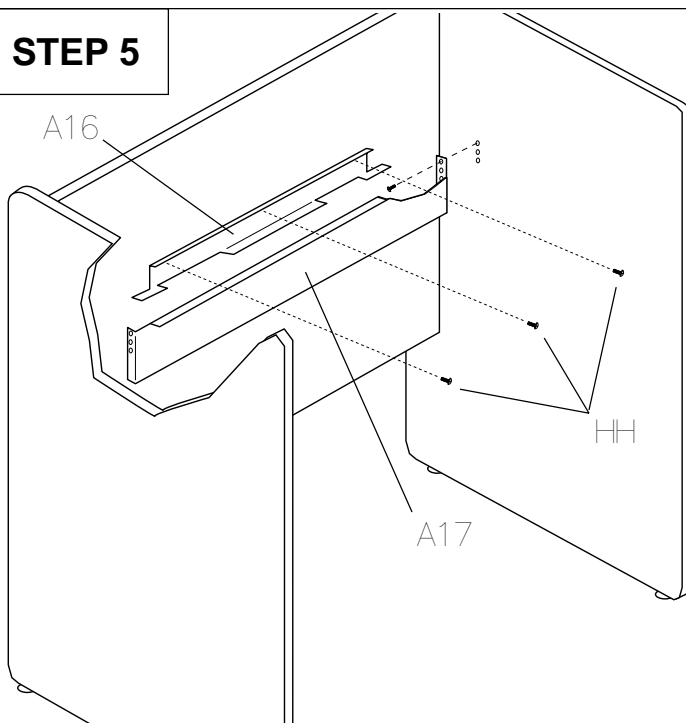
Insert Mod'eez pins (FF) into the right and left side panels (A13,A14) as shown.

## STEP 3



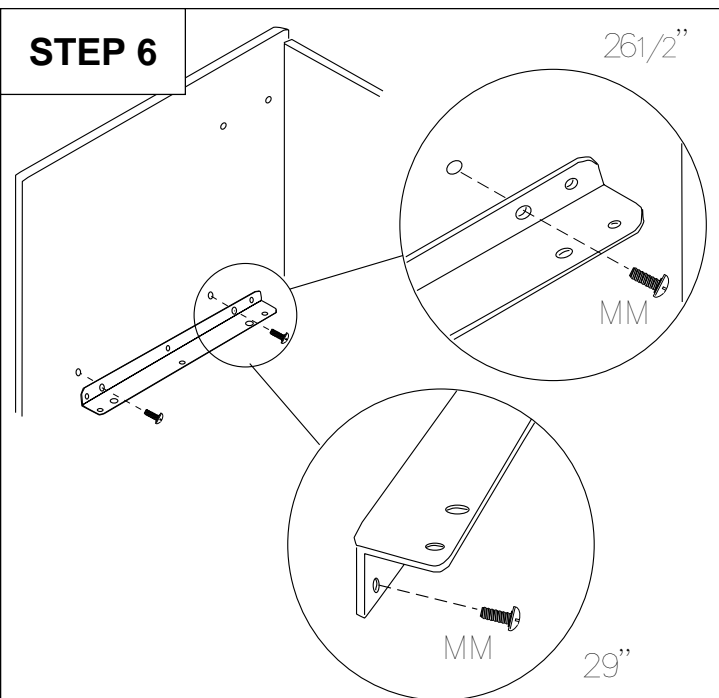
Attach Back Panel (A9) to Left Side Panel.

## STEP 5



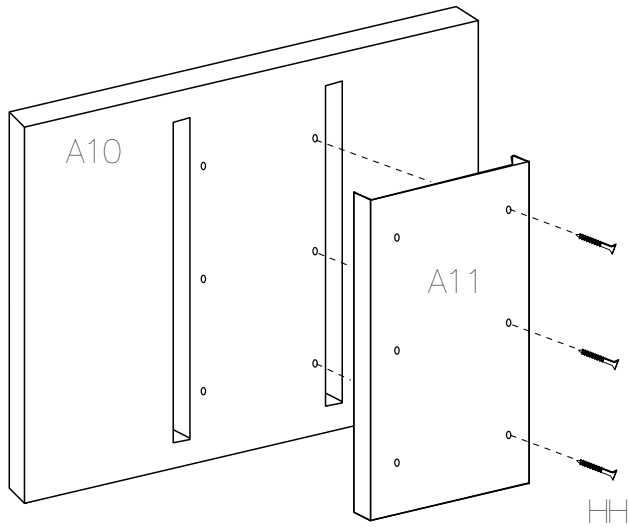
Attach small cable management tray (A16) to back panel (A9) using wood screws (HH). Attach large cable management tray (A17) to side panels using same hardware.

## STEP 6



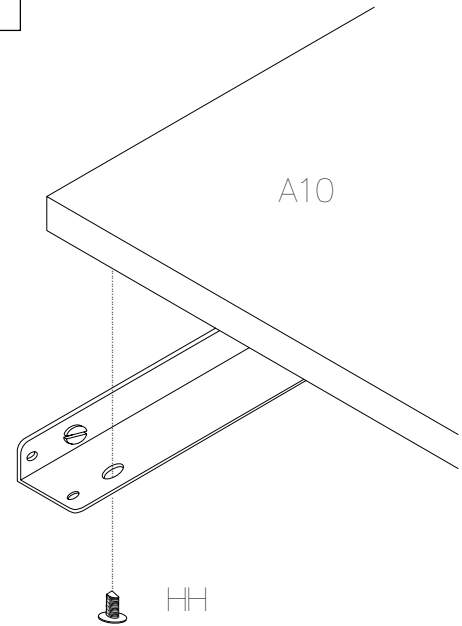
Attach shelf supports (Y) to the side panels using metal screws (MM). Mount bracket according to height desired (26 1/2" or 29").

## STEP 7



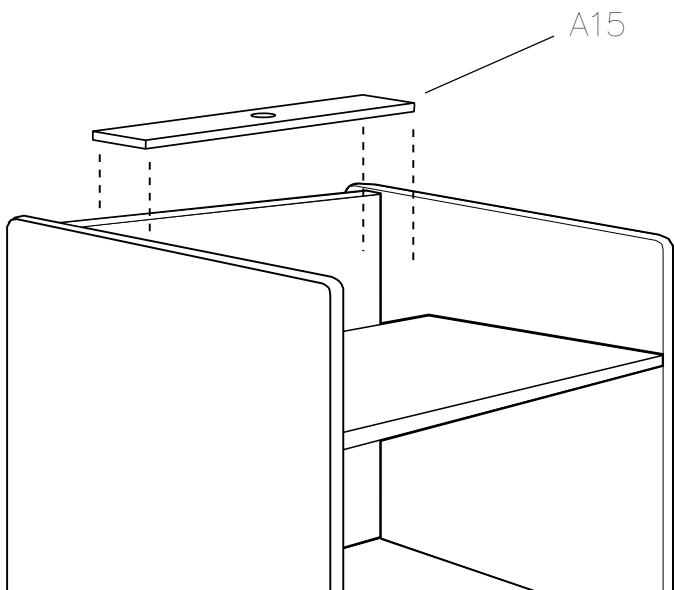
Attach stiffener (A11) to the underside of the shelf (A10) using 6 wood screws (HH).

## STEP 8



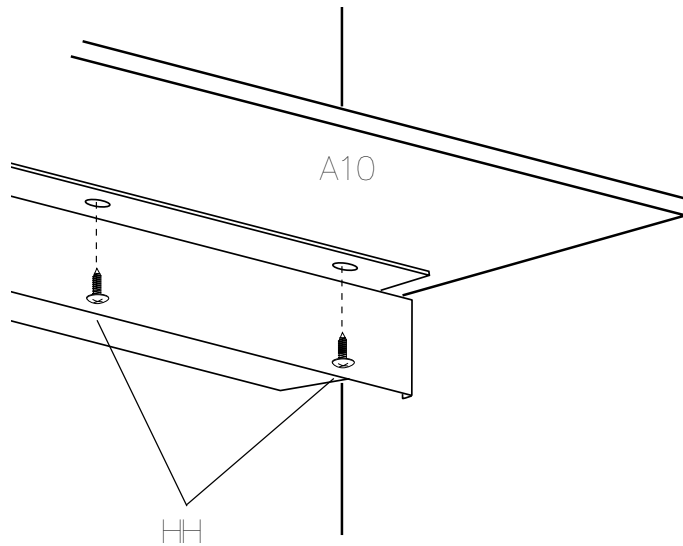
Attach Shelf (A10) to the supports using four wood screws (HH).

## STEP 11



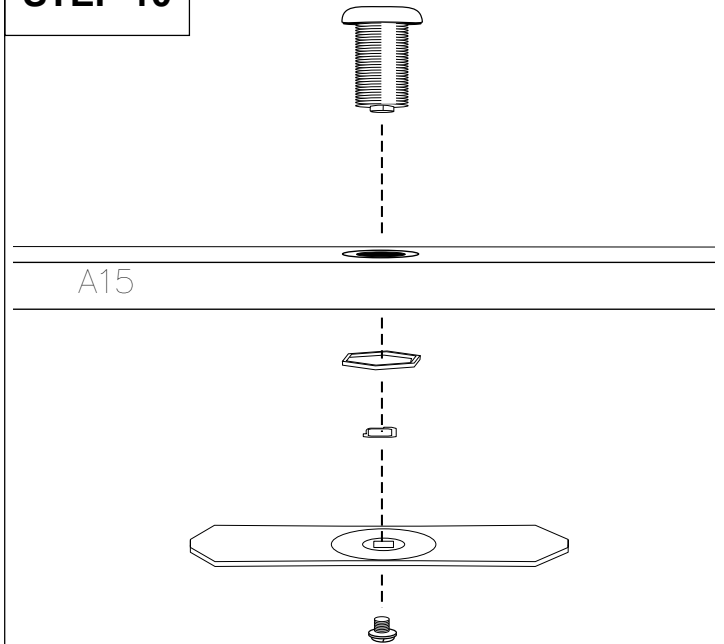
Lower Bin Cover into place behind worksurface and lock to steel lip.

## STEP 9



Attach large cable management tray to underside of shelf (A10) using wood screws (HH).

## STEP 10



Attach Lock hardware (A18) to Cover (A15). Insert lock from top into recessed hole. Attach from bottom: washer, 90° tumbler washer, lock bar, and secure assembly with pan head screw.

**Bretford**  
11000 Seymour Avenue  
Franklin Park, IL 60131  
TEL: 847.678.2545  
800.521.9614  
FAX: 847.678.0852  
800.343.1779

**Bretford Ltd.**  
Technology House  
7 Lake End Court, Taplow  
Bucks SL6 0JQ England  
TEL: 01628 603558  
FAX: 01628 604923

[www.bretford.com](http://www.bretford.com)

Part# A11019  
Rev. 6.95 CH