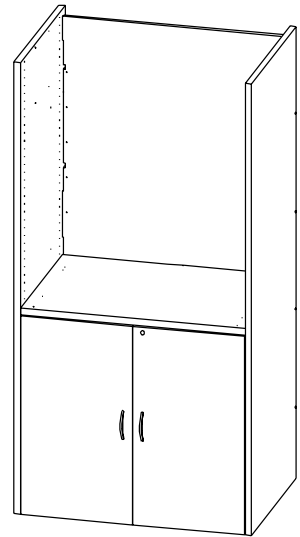




# LEGACY COLLECTION

## DOORS

### Assembly Instructions

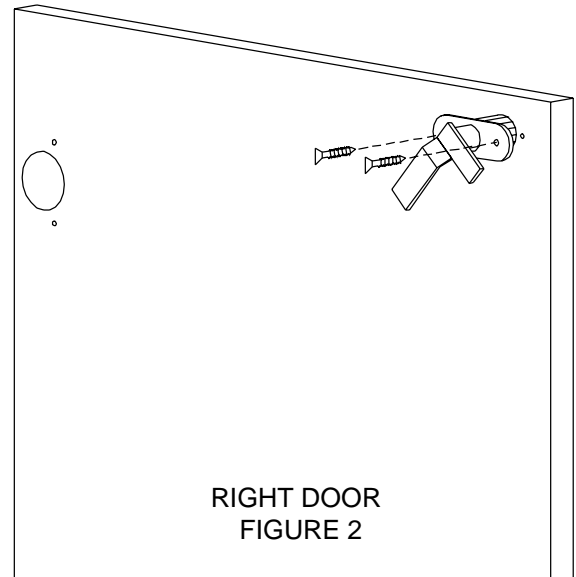
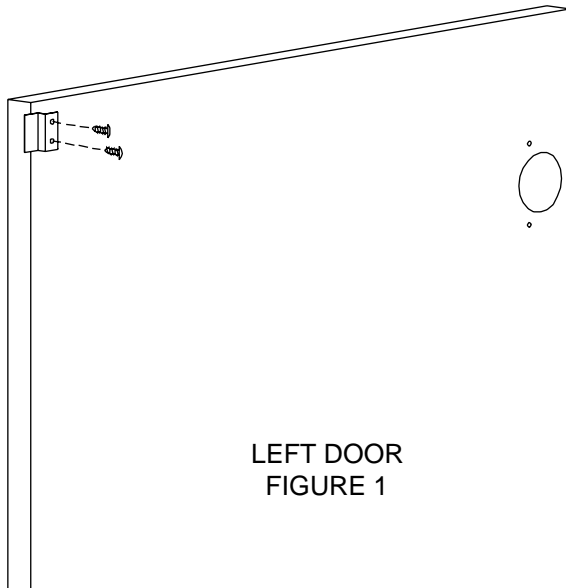


#### PARTS LIST

Qty	Description
1	Left Door Panel
1	Right Door Panel

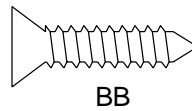
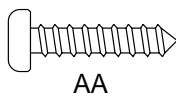
#### HARDWARE LIST

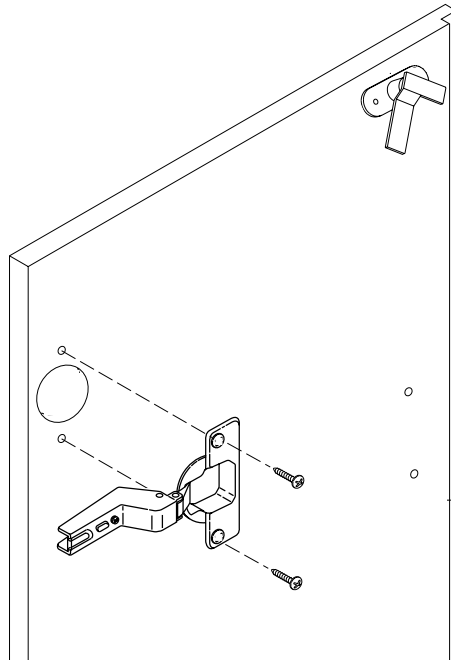
Ref	Qty	Part#	Description
AA	2	SC1070	#6 x 5/8 Pan Head Screws
BB	18	SC1056	#6 x 5/8 Flat Head Wood Screws
CC	8	HD1023	Plastic Anchors
	1	HD1146	Strike Plate
	1	HD1145	Lock Assembly
	4	HD1093	Hinges
	4	HD1094	Hinge Support Plates
	2	HN1013	Handles w/ Screws



#### STEP 1

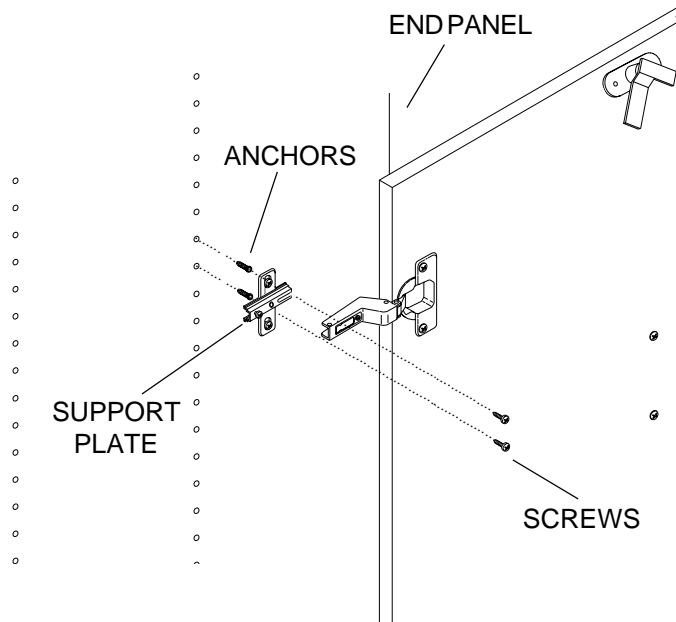
Attach the strike plate to the top of the left door with screws (AA) as shown in **FIGURE 1**.  
 Attach the lock assembly to the top of the right door using screws (BB) as shown in **FIGURE 2**.  
**NOTE:** Make sure the lock is positioned as it is shown or it will not work properly.





### STEP 2

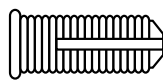
Attach each hinge to the inside of each door as shown using screws (BB).



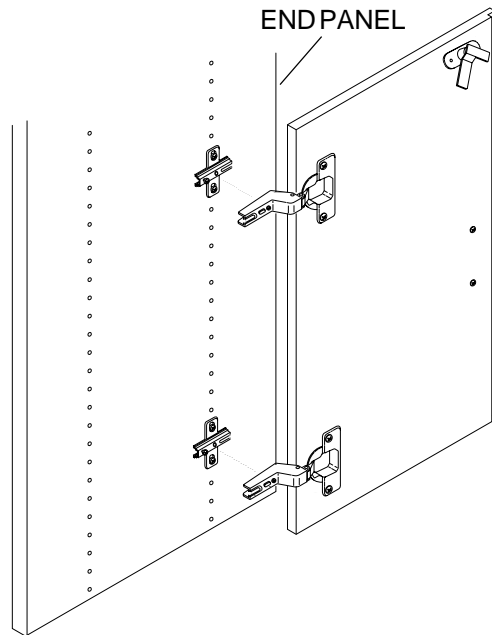
### STEP 3

Position the door panel at your desired location on the end panel of your unit. Locate the holes on both sides of the door hinge. Tap the plastic anchors (CC) into the appropriate holes in the end panel and then secure the support plate into those holes with screws (BB) as shown.

**NOTE:** Make sure the slot in the hinge support faces the edge of the end panel.



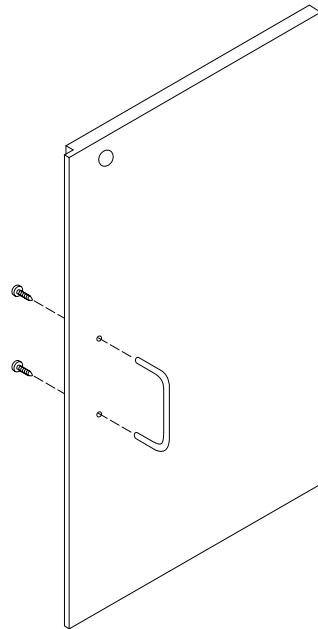
CC



**NOTE:** Once doors are attached you can **NOT** move shelves. Place shelves in desired position first and then attach doors.

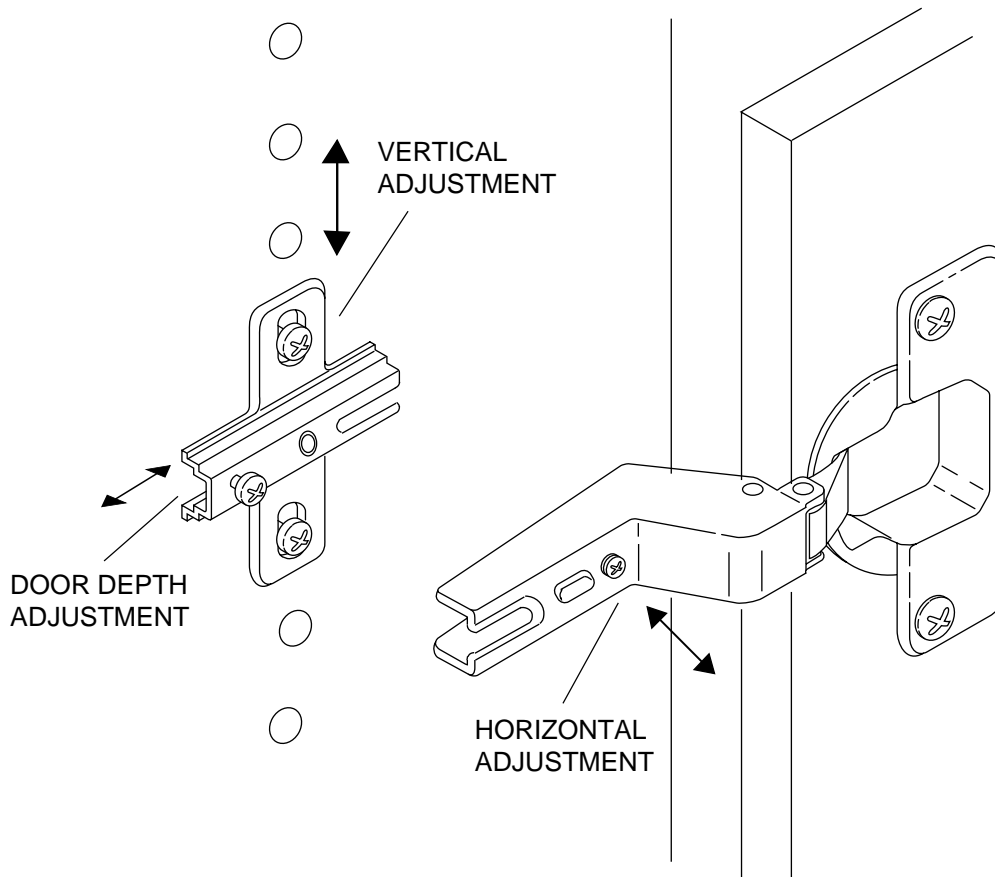
#### STEP 4

Attach each door panel so that the hinges slide over the support plates. Make sure that the screw in the support plate slides into the groove in the hinge.



#### STEP 5

Attach each handle to the doors using screws provided with the handles.



**STEP 6**

Adjust the hinges as necessary to make sure the doors meet properly. The illustration indicates which screws have which effect on the door panels.

**Bretford**  
 11000 Seymour Avenue  
 Franklin Park, IL 60131  
 TEL: 847.678.2545  
 800.521.9614  
 FAX: 847.678.0852  
 800.343.1779

**Bretford Ltd.**  
 Technology House  
 7 Lake End Court, Taplow  
 Bucks SL6 0JQ England  
 TEL: 01628 603558  
 FAX: 01628 604923