



BRETFORD™

EC4

MOBILE COMPUTER WORKSTATION

Assembly Instructions



PARTS LIST

Qty	Part#	Description	Ref
2	010-1863	Top & Bottom Shelves	AA
1	010-4511	Slide Out Shelf	BB
1	010-4512	Slide Out Shelf w/Cut Out	CC
4	010-4505	Shelf Support Brackets	DD
1	022-1397	Right Front Leg	EE
1	022-1398	Left Front Leg	FF
1	022-1399	Right Rear Leg	
1	022-1400	Left Rear leg	
2	015-0002	4" Casters w/o Lock	
2	015-0003	4" Casters w/ Lock	
1	030-1191	14" Full Extension Slide	

HARDWARE LIST

Qty	Part#	Description
16	030-0300-21T	5/8" Square Head Bolts
16	030-0002	5/16-18 Hex Serrated Nuts
16	030-0304	1/4-20 x 5/8" Combo Screws
16	030-1228	8-32 x 1/4" Combo Truss Screws
8	030-1203	#8-32 Acorn Nuts
8	02236	8-32 Flange Whiz Lock Nuts
1	010-1106	Hex Wrench

TOOLS REQUIRED

- Hex Wrench (Provided)
- Phillips Screwdriver
- Rubber Mallet

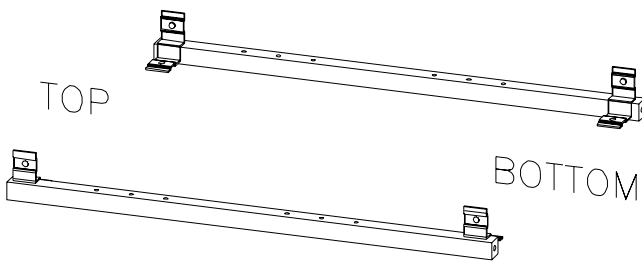


FIGURE 1

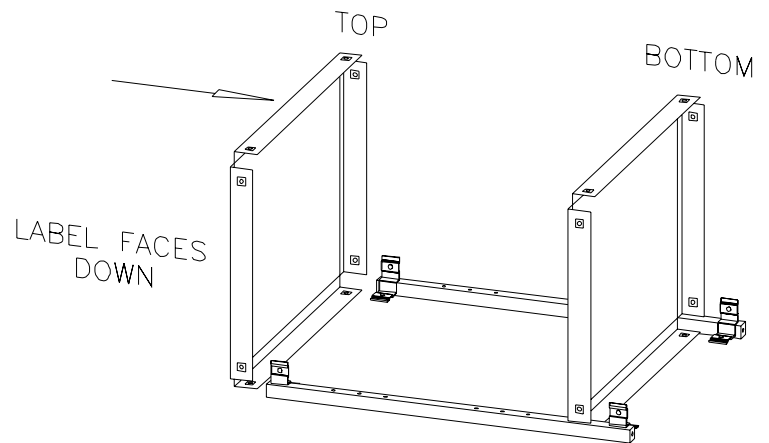
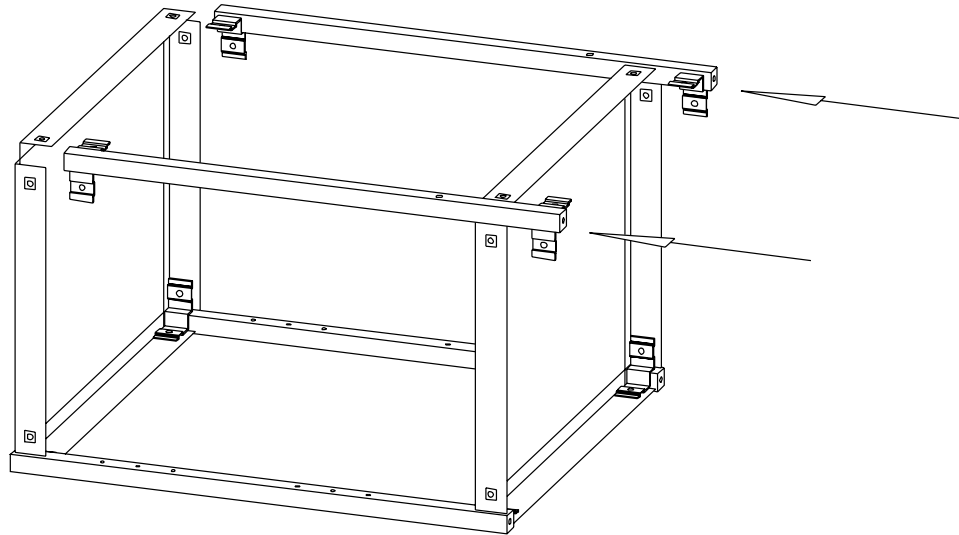


FIGURE 2

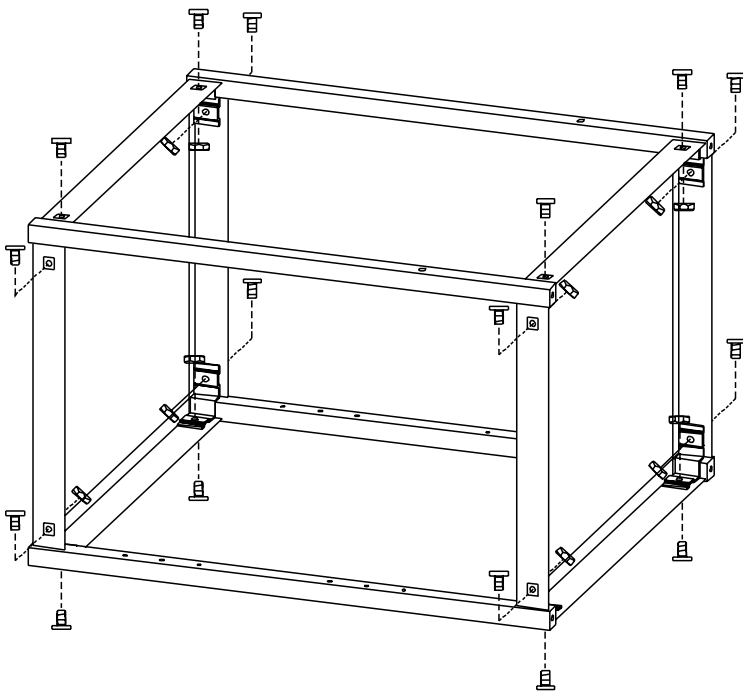
STEP 1

Lay the front legs on a carpeted surface (they are stamped "LF" and "RF") with the holes facing up and the bracket facing up and in as shown in **Figure 1**. Slide the top and bottom shelves onto the legs so that the brackets are inside the shelves (**Figure 2**).



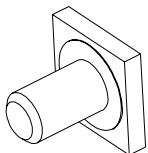
STEP 2

Slide the rear legs onto the shelves so that the brackets are inside the shelves.

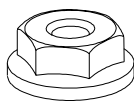


STEP 3

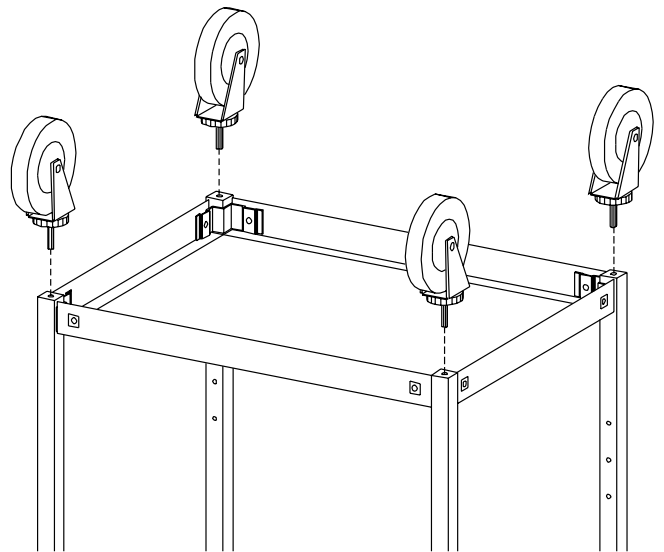
Secure shelves and legs together with bolts (AA) and nuts (BB) in each corner as shown.



AA



BB



STEP 4

Insert each caster into the bottom of each leg. If caster does not insert easily, use a rubber mallet to tap caster in place. Once casters are **SECURELY** in place, stand unit upright.

SHELF SUPPORT BRACKET

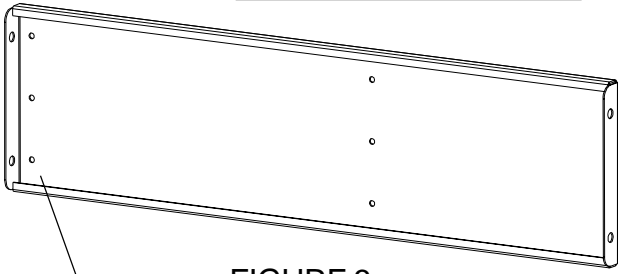


FIGURE 3

These holes need to face the edge you want the shelf to slide out on.

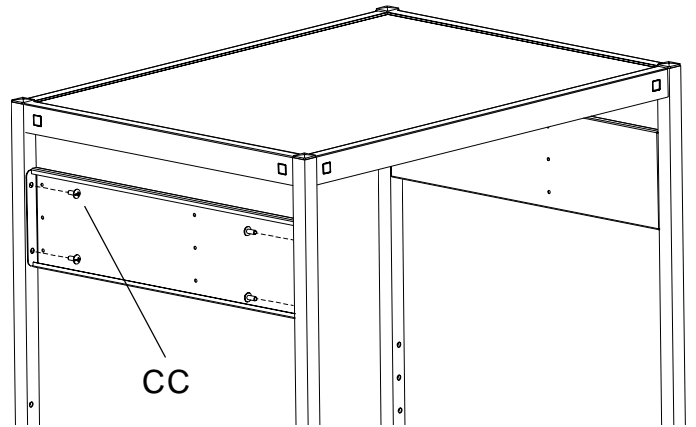
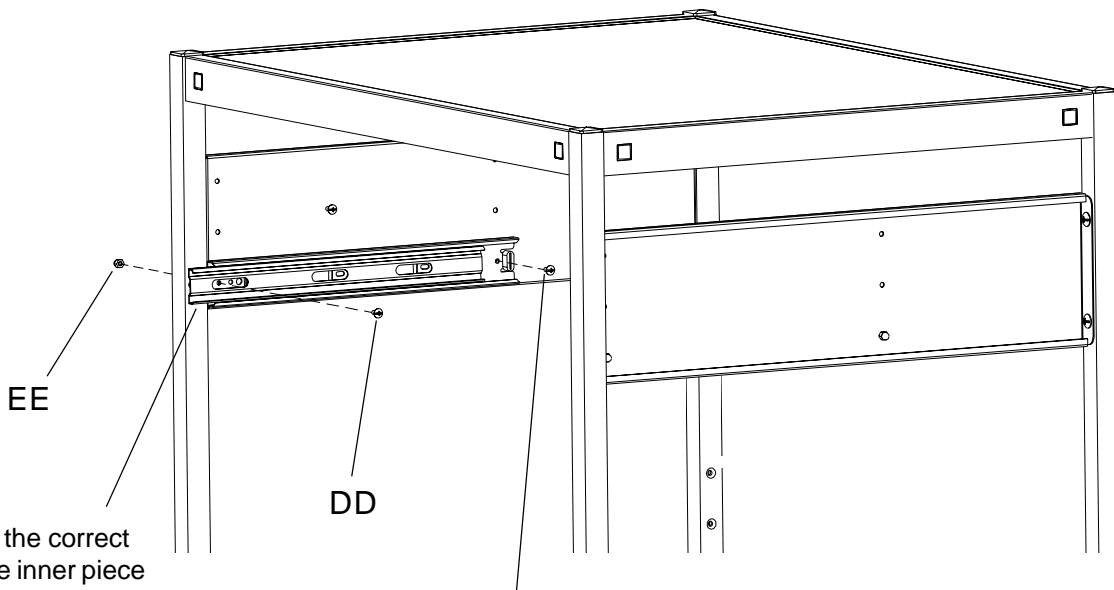


FIGURE 4



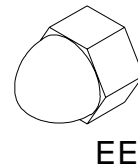
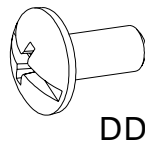
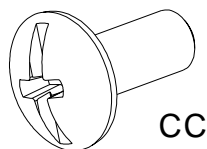
To access the correct holes, slide inner piece out slightly.

Attach rear screw & nut FIRST.

FIGURE 5

STEP 5

Determine which side you want your shelf to pull out from. Use **FIGURE 3** as reference. Attach the shelf support brackets to both set of holes between the legs with screws (CC) as shown in **FIGURE 4**. Then separate each slide and attach the outer section to the inside of each shelf support bracket with screws (DD) and nuts (EE) as shown in **FIGURE 5**. **NOTE: Attach rear screw and nut first.**



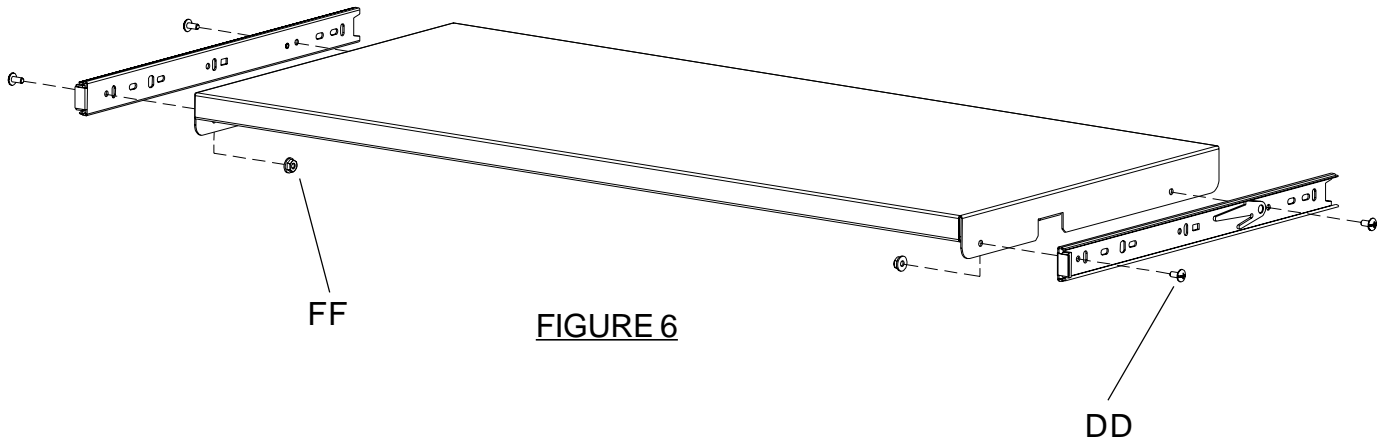


FIGURE 6

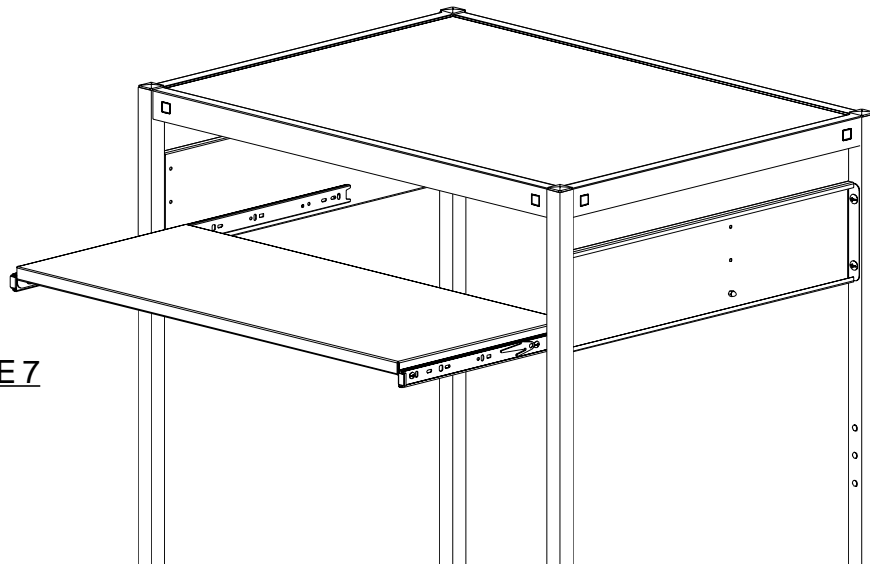


FIGURE 7

STEP 6

Attach the remaining slide pieces to the pull out shelves with screws (DD) and nuts (FF) as shown in **FIGURE 6**. Then slide each shelf into the cart as shown in **FIGURE 7**.



FF

Bretford
 11000 Seymour Avenue
 Franklin Park, IL 60131
 TEL: 847.678.2545
 800.521.9614
 FAX: 847.678.0852
 800.343.1779

Bretford Ltd.
 Technology House
 7 Lake End Court, Taplow
 Bucks SL6 0JQ England
 TEL: 01628 603558
 FAX: 01628 604923

www.bretford.com