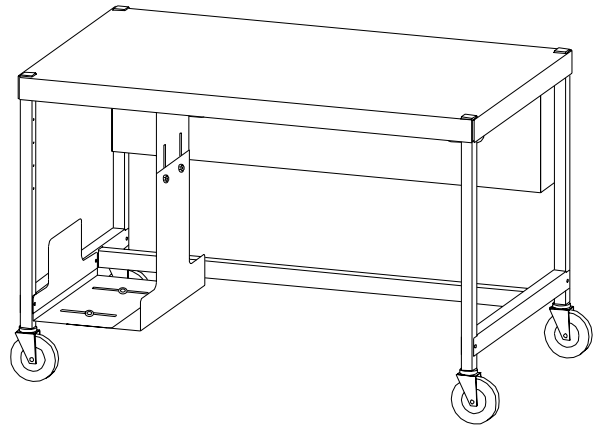




BRETFORD

EC7000 Computer Workstation with CPU Holder Assembly Instructions



PARTS LIST

Qty	Part#	Description
1	010-3056	CPU Top Bracket
1	010-3057	CPU Bottom Bracket
1	010-3058	CPU Side Bracket
1	010-3059	CPU Locking Slide Bracket
4	017-0377	Front and Rear Leg
1	022-1993	Top Assembly
1	022-1991	Wire Tray Assembly
1	022-1992	H-Frame Assembly
2	015-0002	4" Casters w/o Lock
2	015-0003	4" Casters w/ Lock

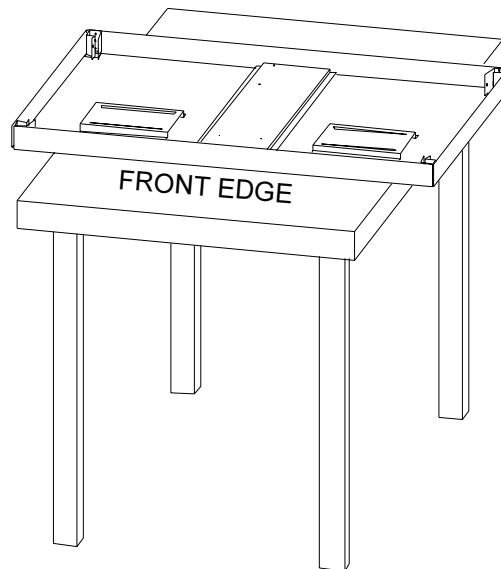
Ref	Qty
AA	4
BB	4
CC	8
DD	3
EE	6
FF	2
GG	1
HH	1
II	2
JJ	3
KK	4
LL	4
	1
	1

HARDWARE LIST

Part#	Description
030-0200	1/4-20 x 1" Hex head Screw
030-0120	1/4-20 Square Nut
030-0383	#10 x 1/2" Truss Head Screw
030-0147	1/4-20 x 1 1/4" Machine Screw
030-0148	1/4-20 Acorn Nut
030-0325	1/4-20 x 1/2" Combo Truss Screw
030-0474BK	1/4-20 x 7/8" Flat Hd. Allen Screw
SC1047BK	1/4-20 x 37.5mm Connector Bolt
030-0305	7/8" Washer
030-0207	1/4-20 Flanged Hex Nut
030-0272	1/4-20 x 1/2" Carriage Bolt
030-0306	1" Washer
010-1106	Hex Wrench
HK1020	Standard Allen Wrench

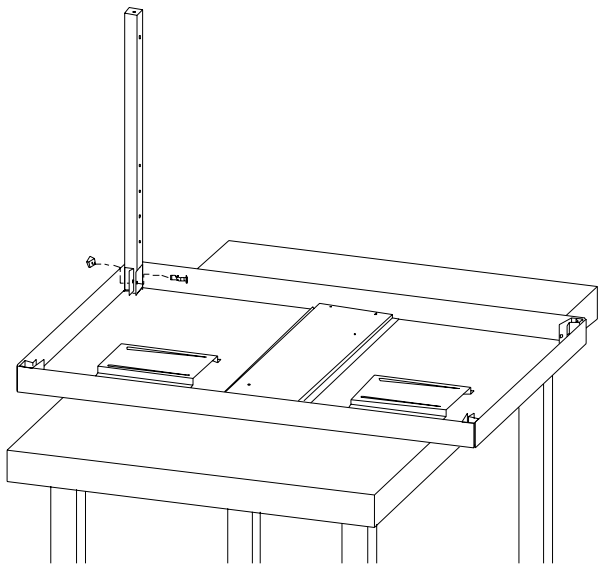
TOOLS REQUIRED

- Phillips Screwdriver
- Adjustable Wrench
- Rubber Mallet
- Hex Wrench (provided)



STEP 1

Lay the top shelf on a table so that the square brackets and stiffener face up and the 4 corners hang over the table as shown.
NOTE: The logo label represents the front edge of the top.

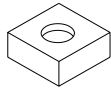


STEP 2

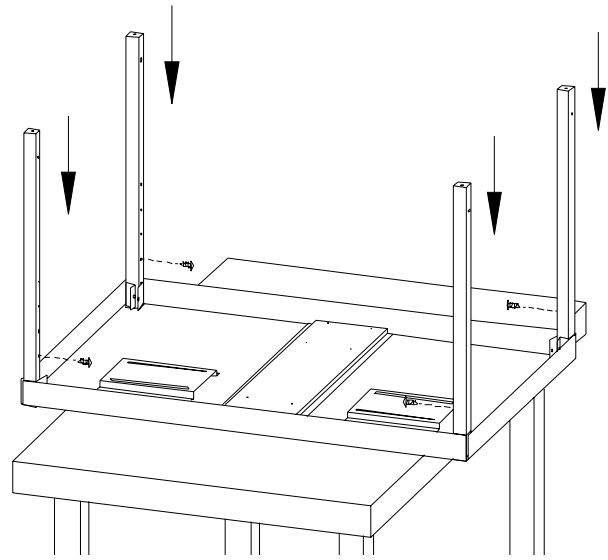
Position one leg into the square bracket so that the capped end is flush with the top of the shelf and the holes face in as shown. **LOOSELY** attach with screws (AA) and nuts (BB). Attach the remaining 3 legs in the same manner.



AA

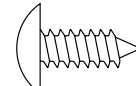


BB



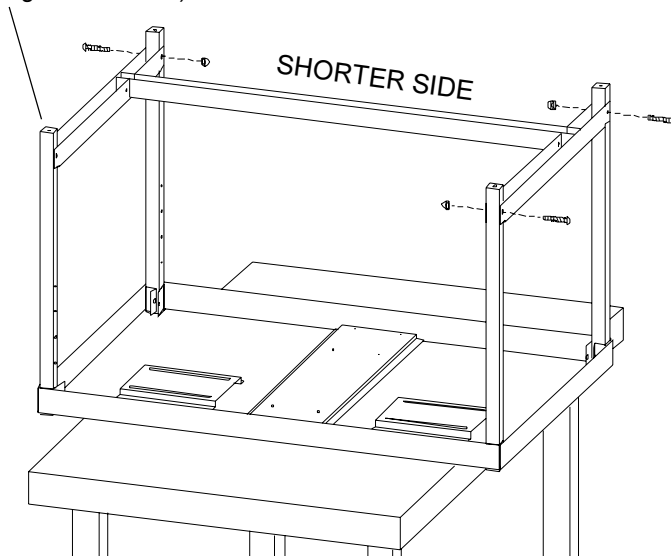
STEP 3

Insert a self tapping screw (CC) approximately 3/4 of the way into the first hole in each leg. Slide each leg down so that the square bracket **rests on the shaft of the self tapping screw**, not the head of the screw. **TIGHTEN ALL SHELF HARDWARE.**



CC

LEAVE OPEN FOR
CPU HOLDER (It can
be the right or left side)



STEP 4

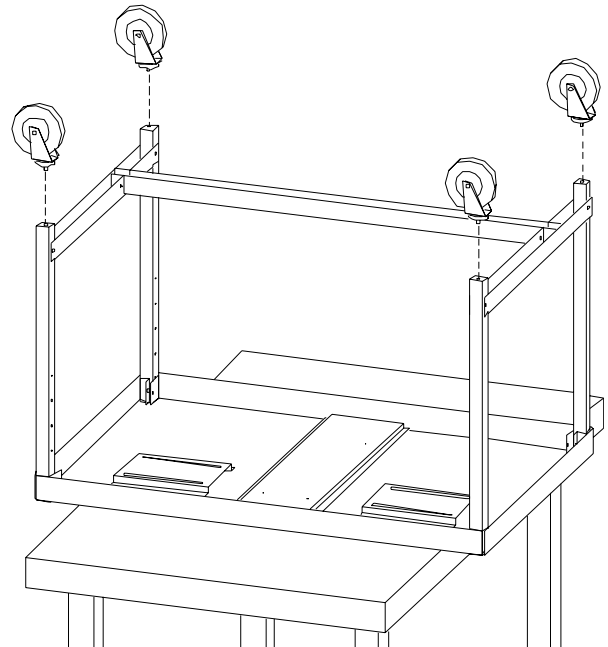
Slide the H-frame between the legs as shown. **The shorter side faces the rear.** Secure the frame to the legs using screws (DD) and nuts (EE) as shown. **NOTE:** One leg on the front side **DOES NOT GET HARDWARE**, this is left open for the CPU holder. You decide whether to leave the right or left side open.



DD

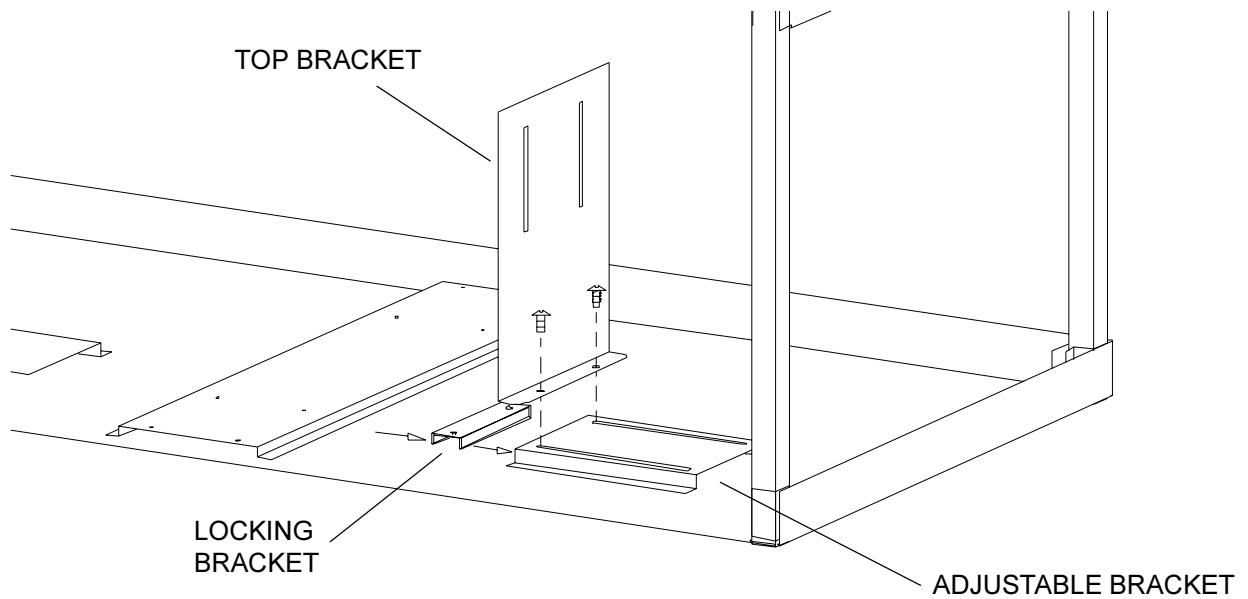


EE



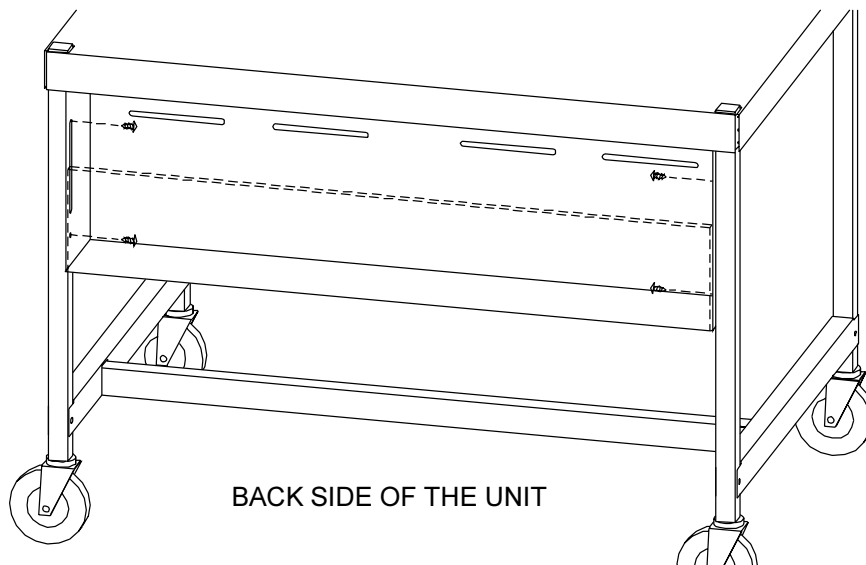
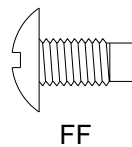
STEP 5

Insert each caster into the legs. If casters do not insert easily, use a rubber mallet to tap each caster in place. Make sure casters are **SECURELY** seated into the legs before stand unit upright.



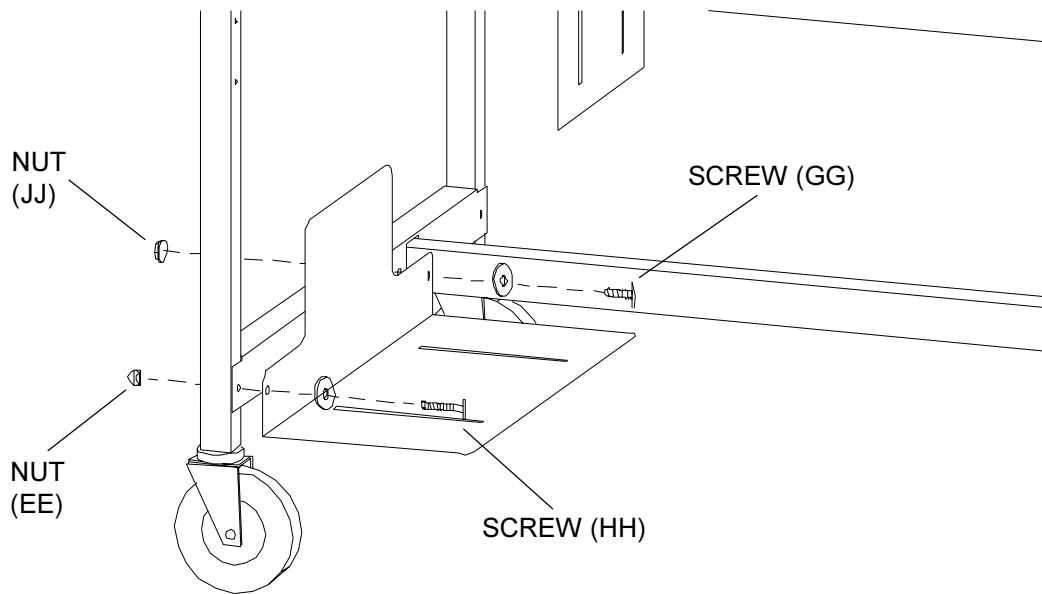
STEP 6

Slide the locking bracket into the adjustable bracket on the top shelf as shown. Align the top bracket with both the adjustable and locking bracket. Secure in place with screws (FF). To adjust top bracket, just loosen screws slide bracket forward or back ward and then tighten screws in place. **NOTE:** The locking and top bracket can be mounted to either the right or left side of the top shelf.



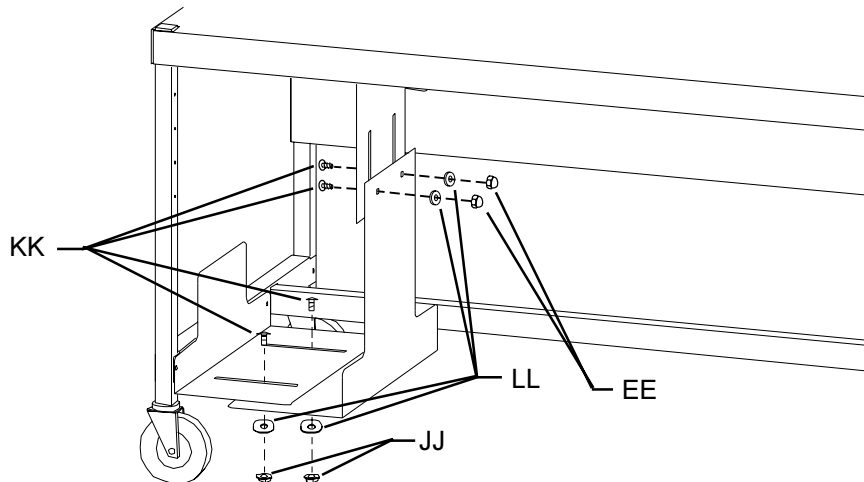
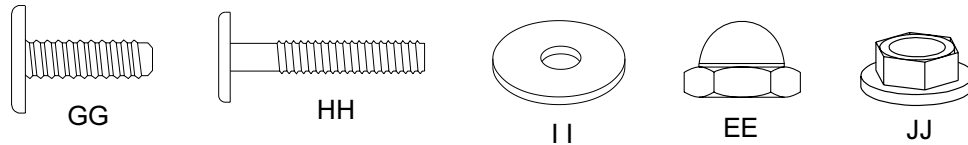
STEP 7

Stand unit upright and position the wire tray between the rear legs. Starting at the top, secure in place using screws (CC) as shown.



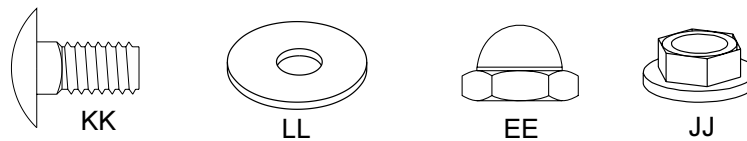
STEP 8

Attach the side bracket to the H-frame with screw (GG), screws (HH), washers (II), nut (EE) and nut (JJ) as shown.



STEP 9

Attach the bottom bracket to the side and top brackets with bolts (KK), washers (LL) and nuts (EE) and (JJ) as shown. **NOTE:** To make any adjustments to the height or width of the top or bottom brackets, just loosen hardware, slide bracket in desired direction and the retighten hardware in place.



Bretford
 11000 Seymour Avenue
 Franklin Park, IL 60131
 TEL: 847.678.2545
 800.521.9614
 FAX: 847.678.0852
 800.343.1779

Bretford Ltd.
 Technology House
 7 Lake End Court, Taplow
 Bucks SL6 0JQ England
 TEL: 01628 603558
 FAX: 01628 604923

Part #031-3240
 Rev. 08.17.99 BW