

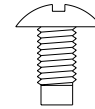
Assembly Instructions

BRETFORD
LEGACY COLLECTION

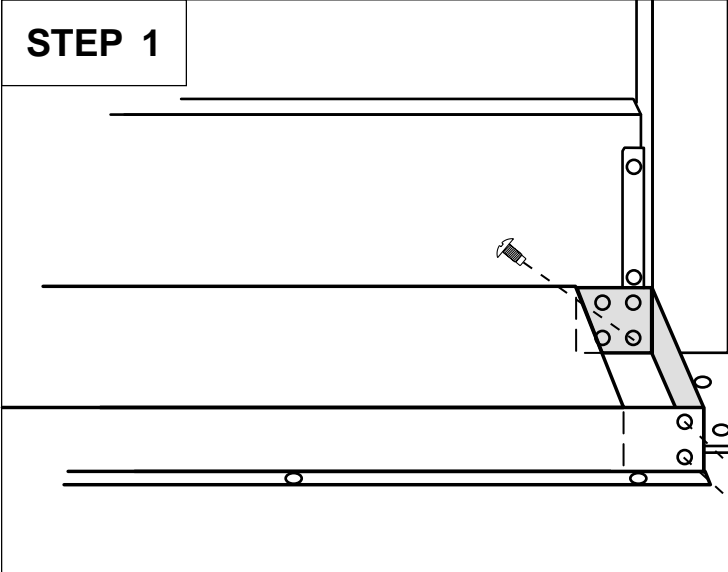
Technology Table End Caps

PARTS and HARDWARE LIST

REF	QTY	DESCRIPTION
	2	Endcaps
	6	30-0325 Screws

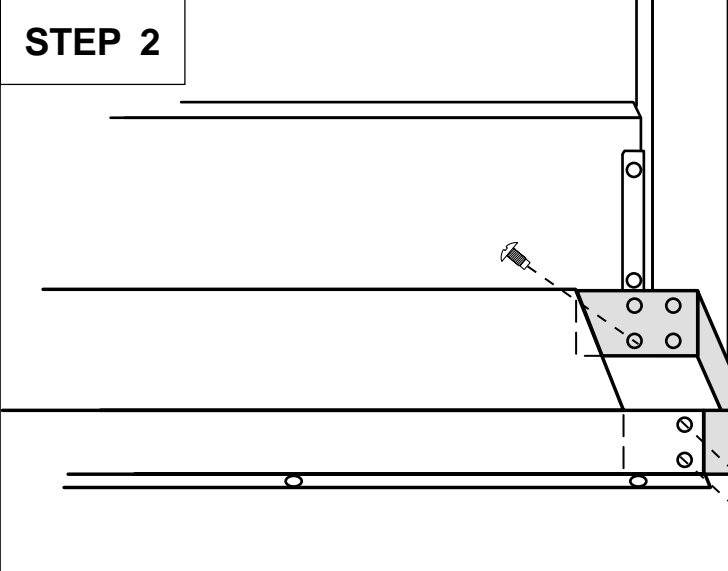


STEP 1



If NOT using a leg chase, align cap flush with end of Wire Management Bin. Attach as shown with 30-0325 screws.

STEP 2



For installations using a leg chase (purchased separately), extend End Cap. Attach as shown with 30-0325 screws.

To attach Wire Management Bin to tabletop, see step 8 of Technical Table assembly instructions.

Bretford
11000 Seymour Avenue
Franklin Park, IL 60131
TEL: 847.678.2545
800.521.9614
FAX: 847.678.0852
800.343.1779

Bretford Ltd.
Technology House
7 Lake End Court, Taplow
Bucks SL6 0JQ England
TEL: 01628 603558
FAX: 01628 604923