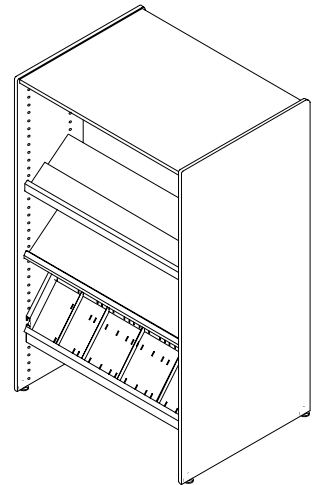




LEGACY COLLECTION  
 FIXED PERIODICAL SHELF  
 ANGLED MEDIA STORAGE  
 TWO-TIER VIDEO SHELF

Assembly Instructions



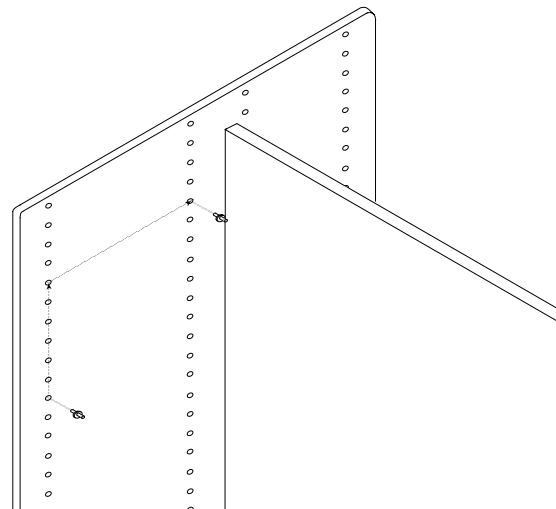
**PARTS LIST**

Qty	Description
1	Fixed Periodical Shelf
1	Two-Tier Video Shelf
1	Angled Media Storage
6	Shelf Dividers

**HARDWARE LIST**

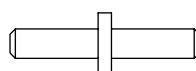
Qty	Description
4	Shelf Pins

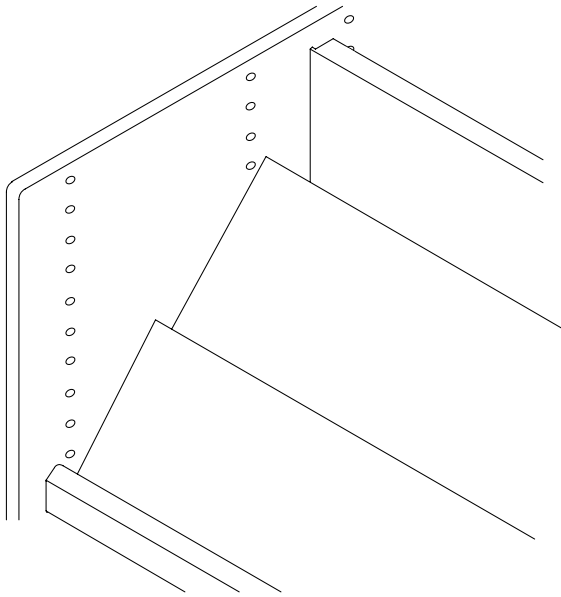
Shelf Size	Rear Pin Position		
	Periodical Shelf	Two Tier Video Shelf	Angled Media Shelf
8"	9 higher	10 higher	-----
10"	8 higher	9 higher	7 higher
12"	7 higher	8 higher	6 higher



**STEP 1**

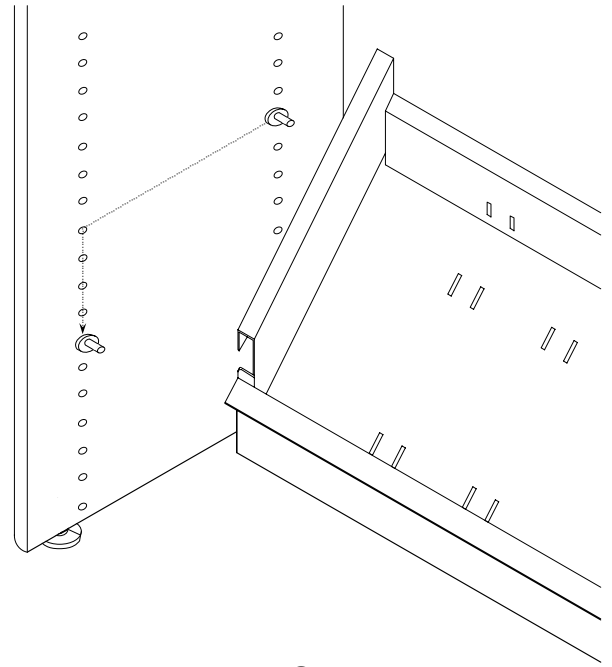
Install the front shelf pins at the desired height at the front of the shelf. The rear pins are installed higher than the front pins. Refer to the chart below for pin locations.





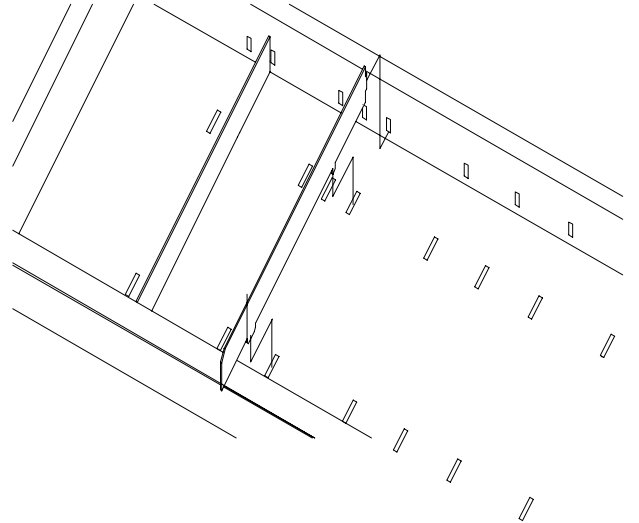
## STEP 2

Install the periodical and two-tier video shelves by sliding the slot at the front of the shelf over the shelf pins. Tip the shelf back until the rear slots slide over the shelf pins.



## STEP 3

Install the angled media storage by sliding the top lip of the shelf over the pins. Tilt the shelf upward until the rear slots pass over the rear pins. Slide the shelf forward until the shelf locks into place.



## STEP 4

Install the dividers by hooking the front tab into the front slot. Bring down the rear of the divider until the rear tab snaps into place.

**NOTE:** To remove divider apply pressure to rear flange, while lifting upward on front of divider.

**Bretford**  
 11000 Seymour Avenue  
 Franklin Park, IL 60131  
 TEL: 847.678.2545  
 800.521.9614  
 FAX: 847.678.0852  
 800.343.1779

**Bretford Ltd.**  
 Technology House  
 7 Lake End Court, Taplow  
 Bucks SL6 0JQ England  
 TEL: 01628 603558  
 FAX: 01628 604923