



Presentation Environments®

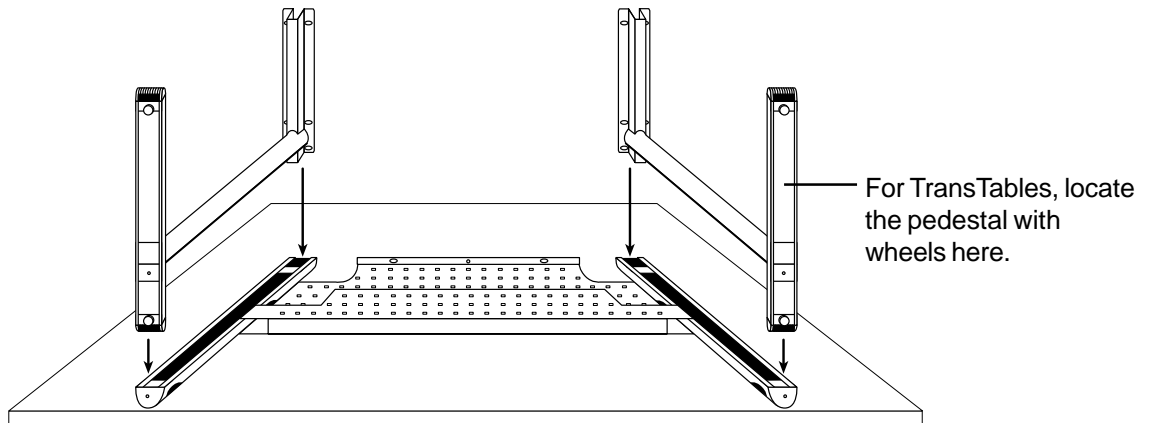
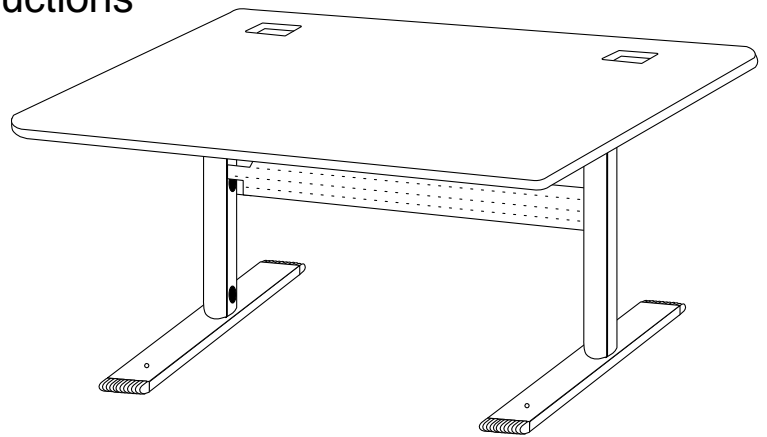
Fixed C-Leg Tables

Assembly Instructions

PARTS LIST

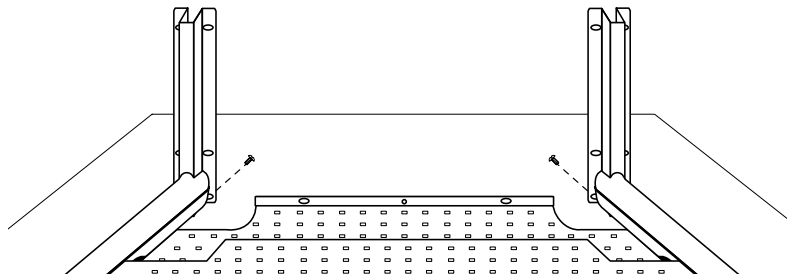
- 1 Right Leg Assembly*
- 1 Left Leg Assembly
- 1 Frame
- 1 Wood Top
- 19 1/4-20 x 5/8" Combo Truss Screws

*This leg may have wheels if purchased as a TransTable.



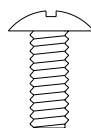
STEP 1

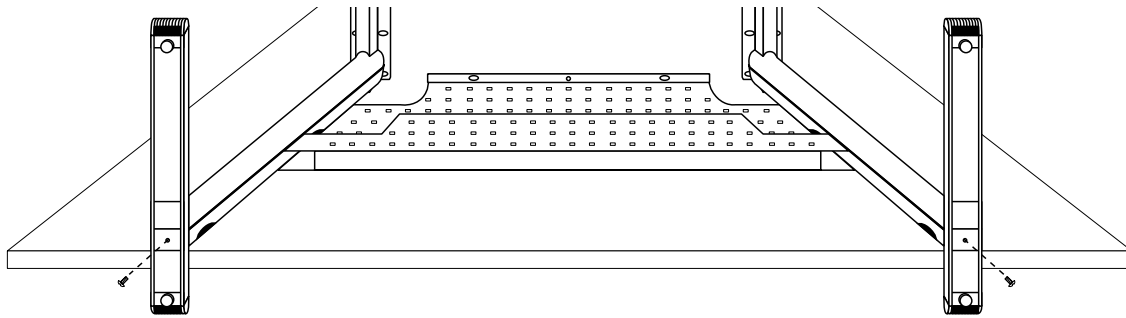
Place the frame on a flat surface with the modesty panel down. Position the right and left leg assemblies over the panel and fit together as shown.



STEP 2

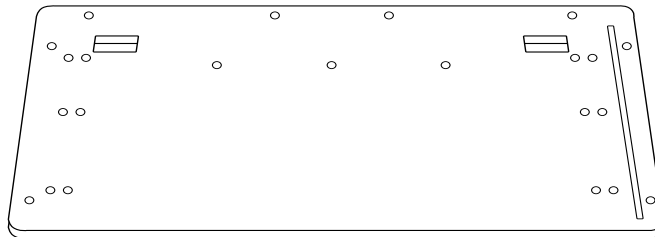
Attach the top of the right and left pedestals to the frame using the 1/4-20 x 5/8" combo truss screws as shown.





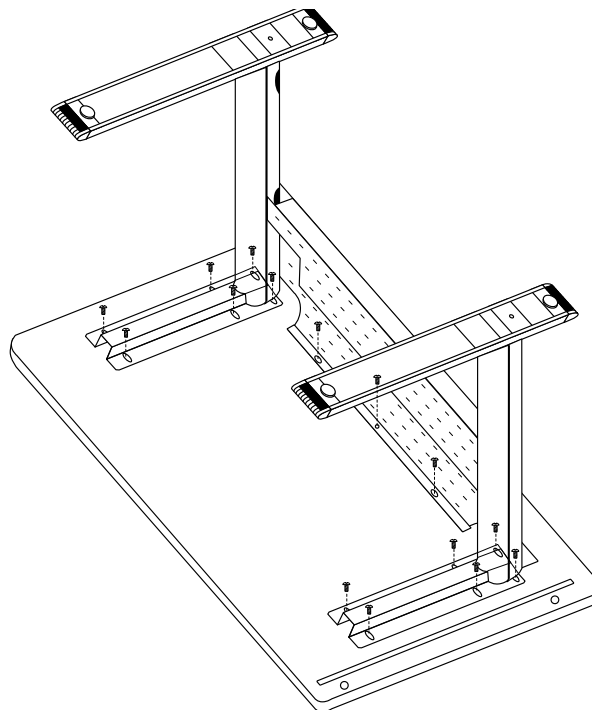
STEP 3

Attach the bottom of the right and left pedestals to the frame using the 1/4-20 x 5/8" combo truss screws as shown. Tighten all screws.



STEP 4

Lay the wood table top down with holes facing up as shown.



STEP 5

Align holes in the table top with the holes provided in the assembled frame and legs. Attach the assembled frame and legs to the table top with the 1/4-20 x 5/8" combo truss screws.

Bretford
 11000 Seymour Avenue
 Franklin Park, IL 60131
 TEL: 847.678.2545
 800.521.9614
 FAX: 847.678.0852
 800.343.1779

Bretford Ltd.
 Technology House
 7 Lake End Court, Taplow
 Bucks SL6 0JQ England
 TEL: 01628 603558
 FAX: 01628 604923

Part #031-3023
 Rev. 8.28.98 Holt