



BRETFORD

PRESENTATION ENVIRONMENTS®

FIXED LEG TABLES

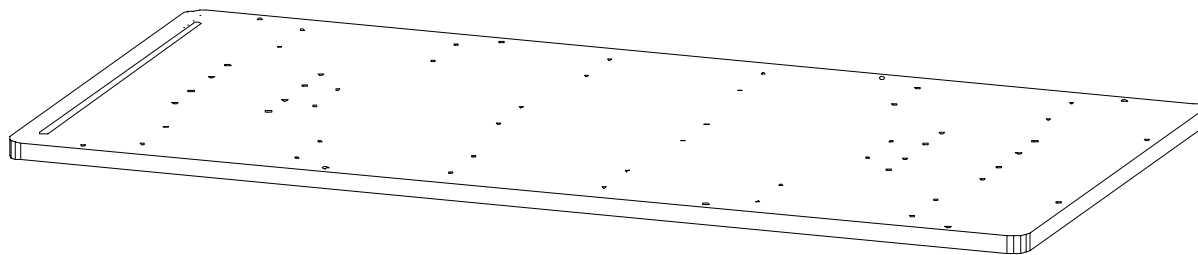
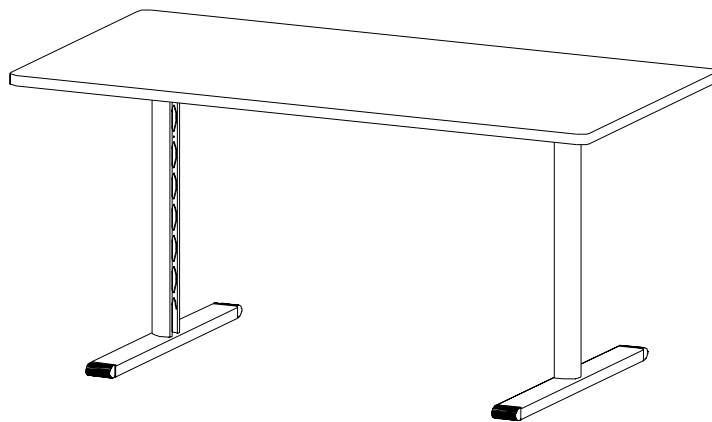
Assembly Instructions

PARTS LIST

- 1 Right Leg Assembly
- 1 Left Leg Assembly*
- 1 Table Stiffener
- 2 84" Long Table Stiffeners (For 96" Long Tables only)
- 1 Wood Top
- 16 1/4-20 x 5/8" Combo Truss Screws
- 34 #10 x 1/2" Phillips Pan Screws
(Including 24 for 96" Long Tables)

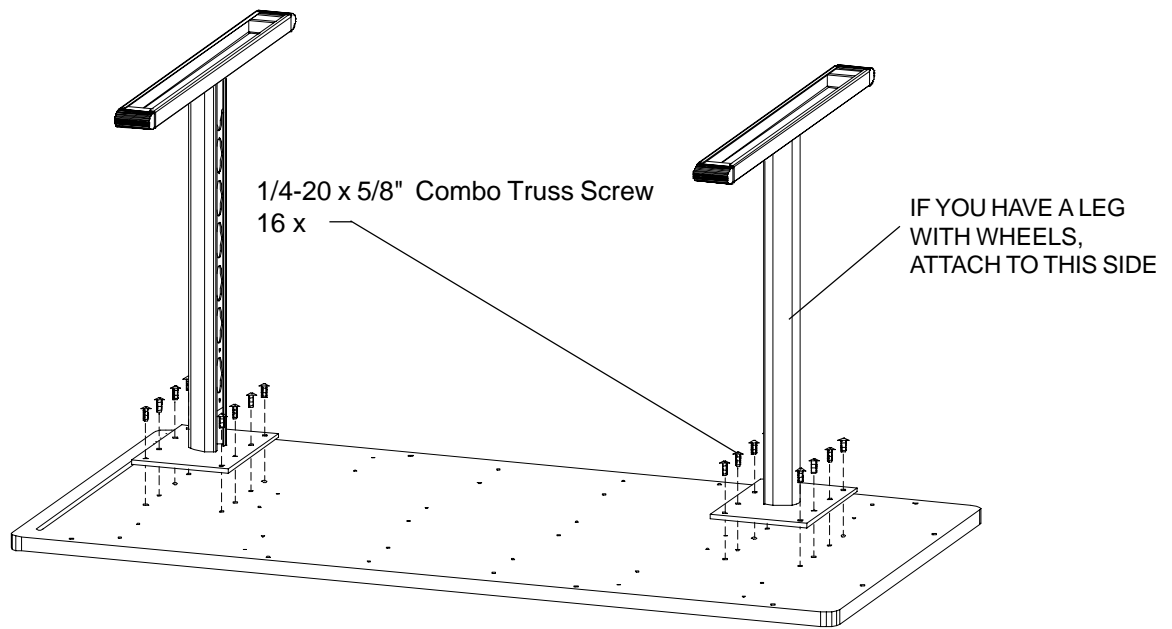
* This leg may have wheels if purchased that way.

** All models receive a stiffener except for 48" models.



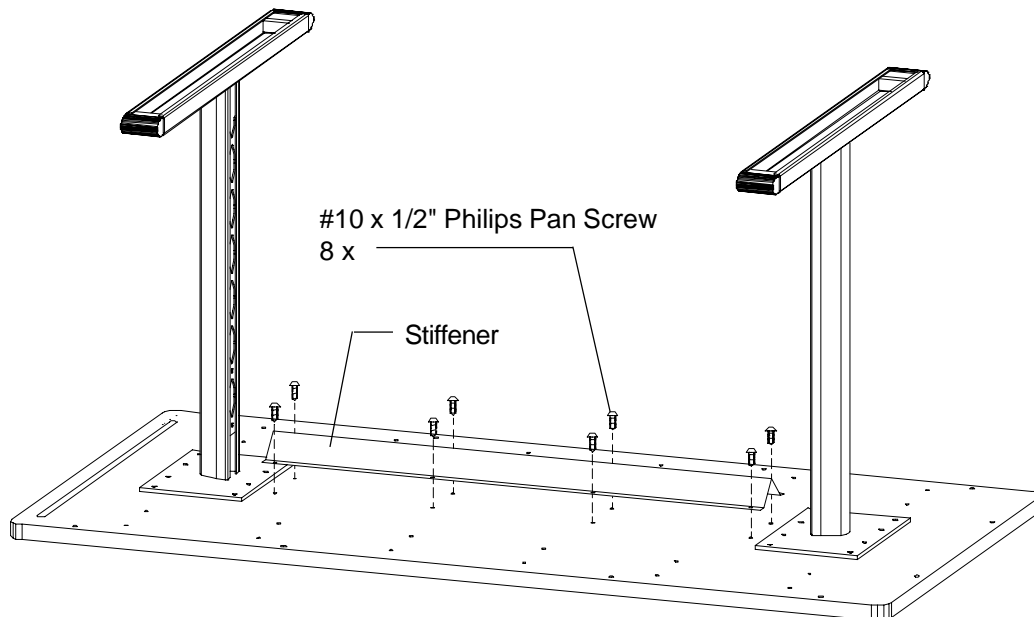
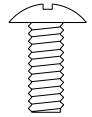
STEP 1

Lay the wood top down with holes facing up as shown.



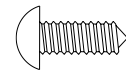
STEP 2

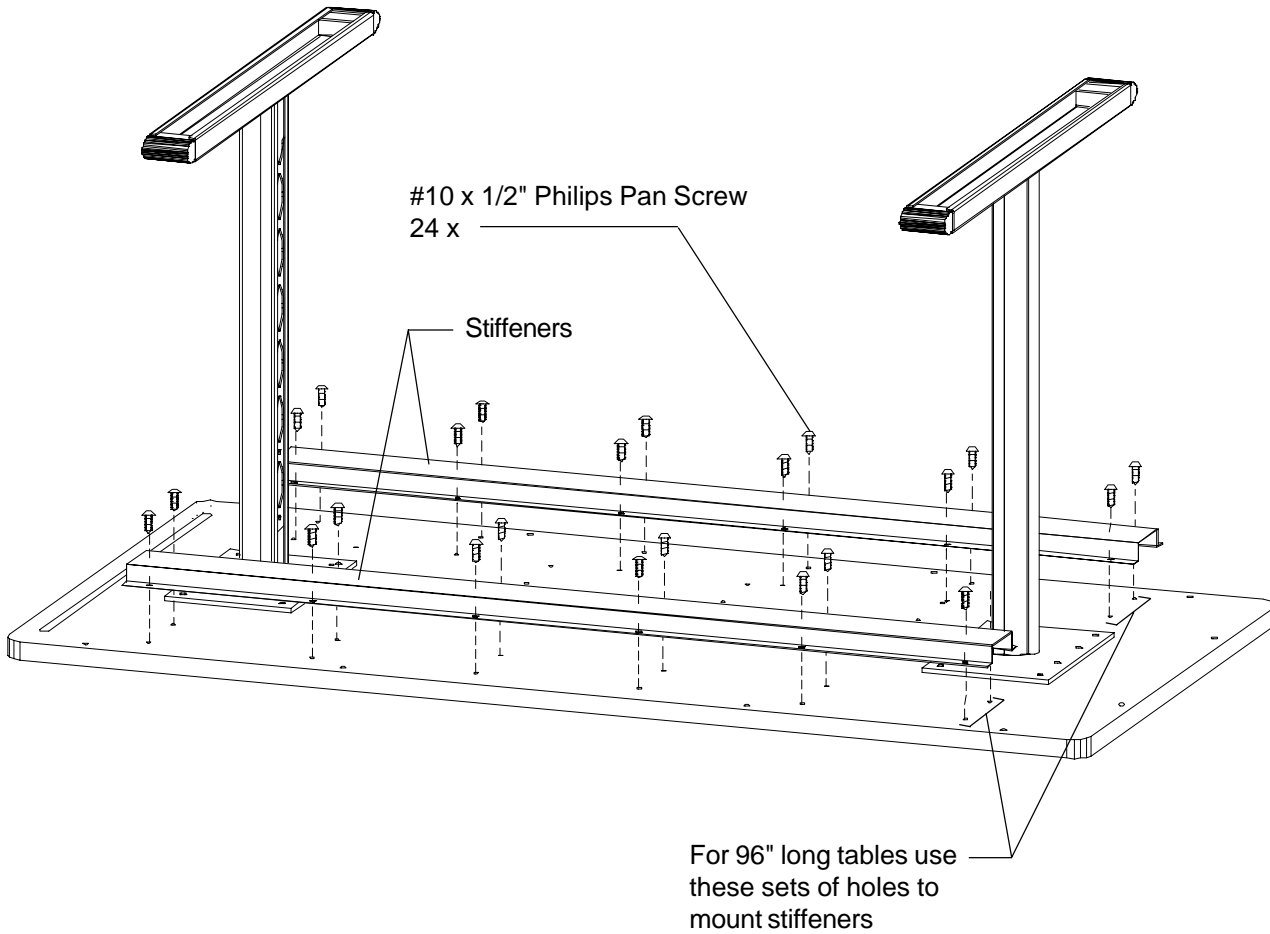
Attach each leg to the wood top with the 1/4-20 x 5/8" screws as shown. Make sure the ellipses on each leg face in as shown. **NOTE:** If you have a leg with wheels, make sure it is attached on the opposite side of the grooved slot in the top.



STEP 3

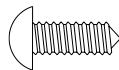
Position the table stiffener between the legs and attach in place with the #10 x 1/2" screws as shown. **NOTE:** Some models may use only 8 screws to attach the table stiffener.





STEP 4 (For 96" Long Tables Only)

Position the table stiffeners over holes and attach in place with the #10 x 1/2" screws as shown.



Bretford
11000 Seymour Avenue
Franklin Park, IL 60131
TEL: 847.678.2545
800.521.9614
FAX: 847.678.0852
800.343.1779

Bretford Ltd.
Technology House
7 Lake End Court, Taplow
Bucks SL6 0JQ England
TEL: 01628 603558
FAX: 01628 604923

www.bretford.com

Part #031-2706
Rev.04.25.01 YP