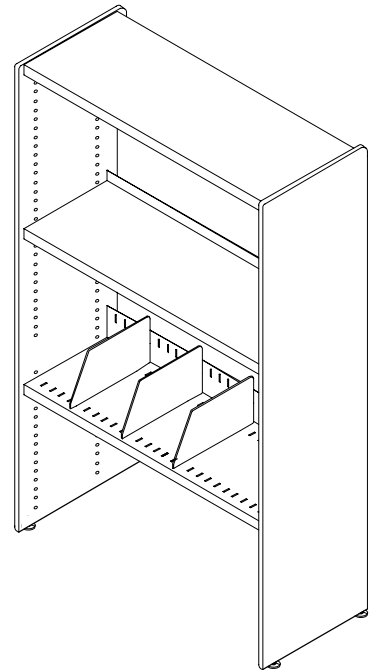




BRETFORD

LEGACY COLLECTION
Assembly Instructions

FLAT SLOTTED SHELF STEEL TOP SHELF FLAT SHELF



PARTS LIST

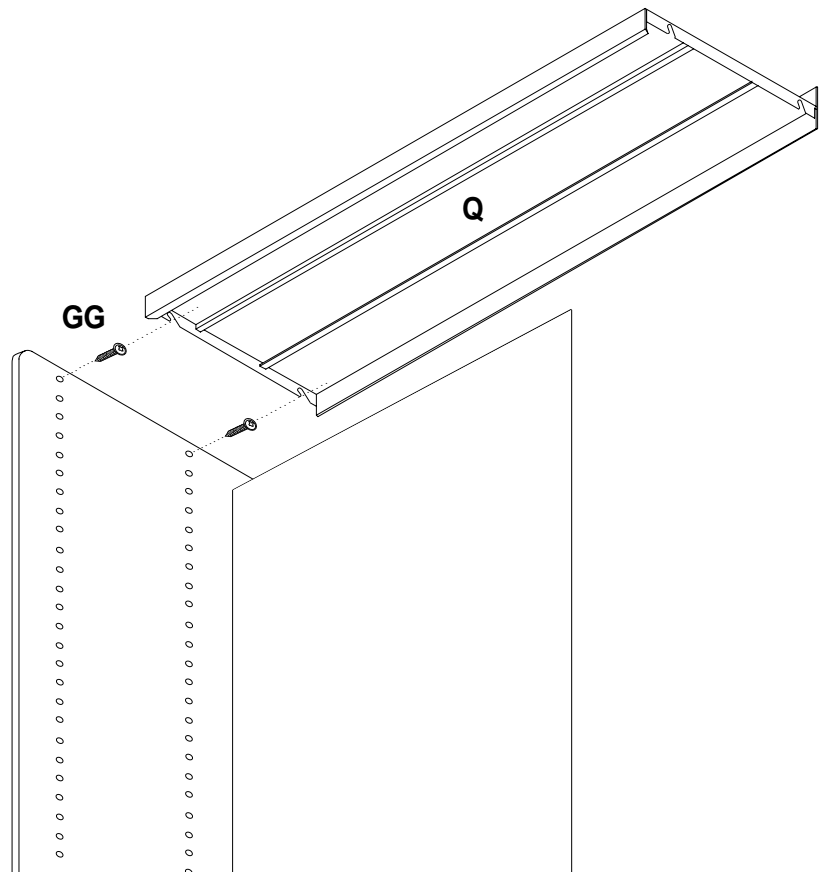
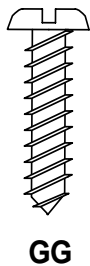
REF	QTY	DESCRIPTION
Q	1	Steel Top Shelf
P	1	Flat Slotted Shelf
O	1	Flat Shelf
R	3	Book Dividers

HARDWARE LIST

REF	QTY	PART NO.	DESCRIPTION
GG	4	030-0258	#12 X 1/2" Wood Screws (Steel Top Shelf only)
II	4	030-0423	Shelf Pins

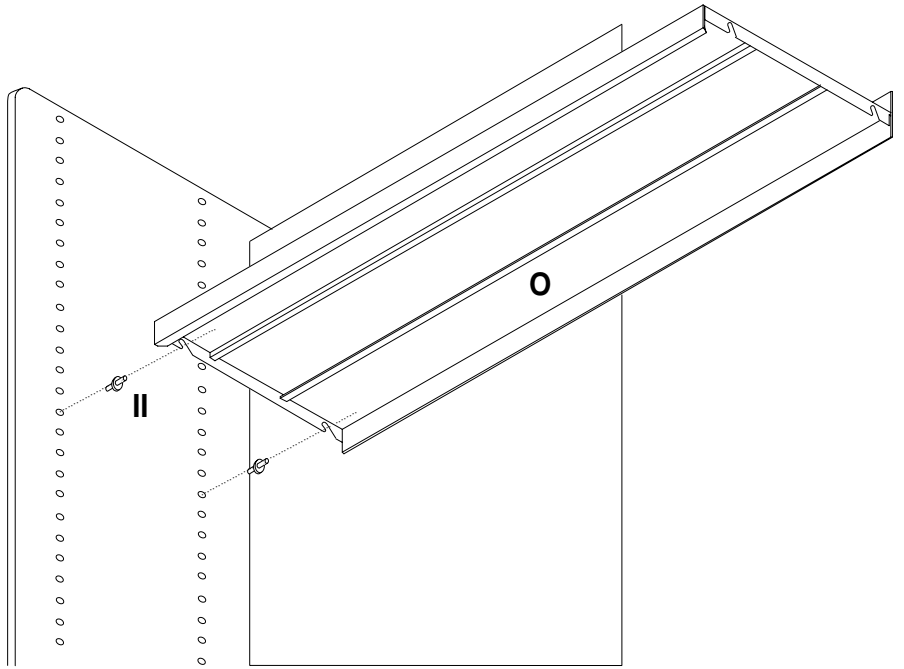
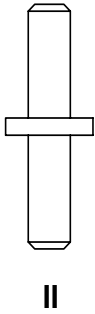
STEP 1

Use the highest holes for steel top shelf. Start wood screws (GG) in the holes indicated. Slide the top shelf (Q) down and back on the screws. Tighten the screws.



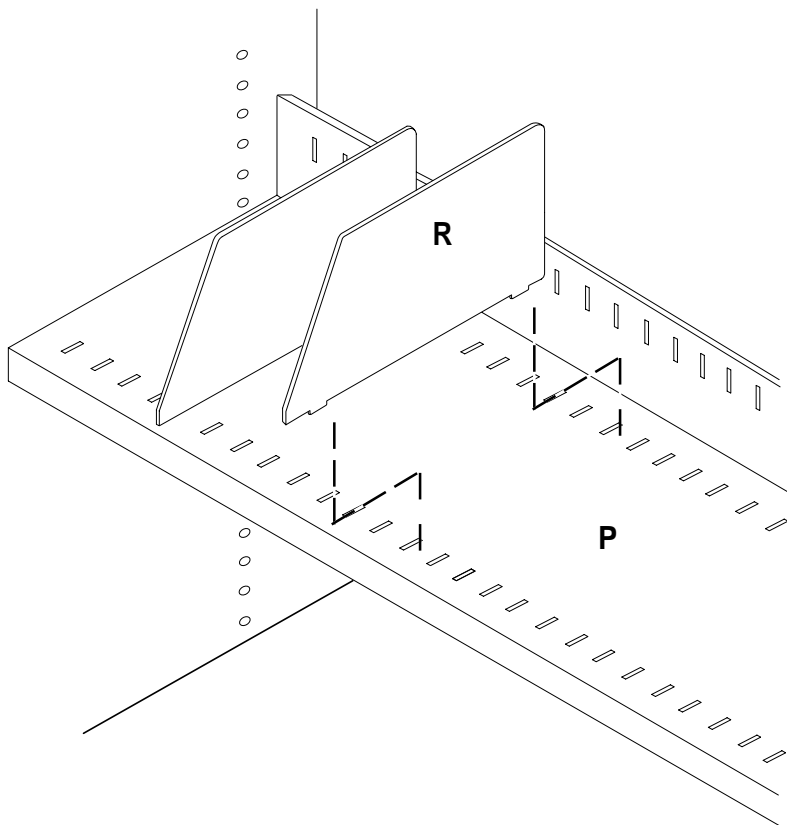
STEP 2

Install the shelf pins (II) at the desired height of the flat shelf (O) or slotted shelf (P). Slide the shelf down and back on the pins.



STEP 3

If installing a slotted shelf (P), attach the book dividers (R). This is done by inserting the front tab of the divider into the shelf. Pull forward on the divider while lowering the back. Snap rear tab into shelf.



Bretford
11000 Seymour Avenue
Franklin Park, IL 60131
TEL: 847.678.2545
800.521.9614
FAX: 847.678.0852
800.343.1779

Bretford Ltd.
Technology House
7 Lake End Court, Taplow
Bucks SL6 0JQ England
TEL: 01628 603558
FAX: 01628 604923

www.bretford.com

Part# A11010
Rev. 9.95 CH