



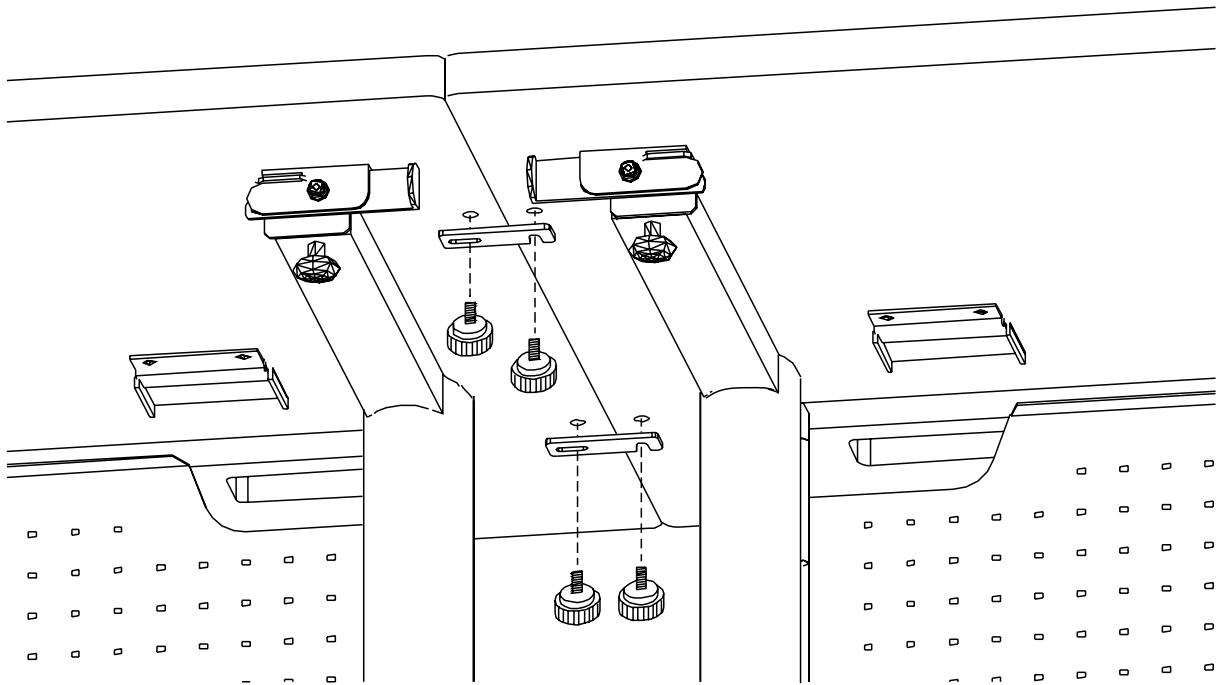
BRETFORD

PRESENTATION ENVIRONMENTS®

GANGING CLIP

Each Package Contains:

- 4 Ganging Clips
- 8 Black Knurled Knobs



Arrange your table the way you wish to connect them. From underneath, position the ganging clip over the holes on the edges of your tables. There are holes on the side and back edges of each table for back to back and/or side to side connection of your tables. Secure clip to tables using the knobs as shown. **NOTE:** The cut out on the clip can be used for easy release of the tables. Just loosen the knob and slide the clip away from the knob to release connection.

Bretford
11000 Seymour Avenue
Franklin Park, IL 60131
TEL: 847.678.2545
800.521.9614
FAX: 847.678.0852
800.343.1779

Bretford Ltd.
Technology House
7 Lake End Court, Taplow
Bucks SL6 0JQ England
TEL: 01628 603558
FAX: 01628 604923

www.bretford.com

Part #031-2517
Rev. 04.09.97 CH