

SPR936 SPW935

Note:
Long Table Shown

PARTS LIST

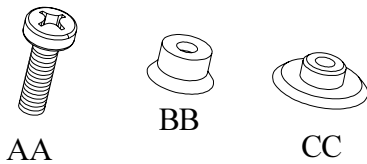
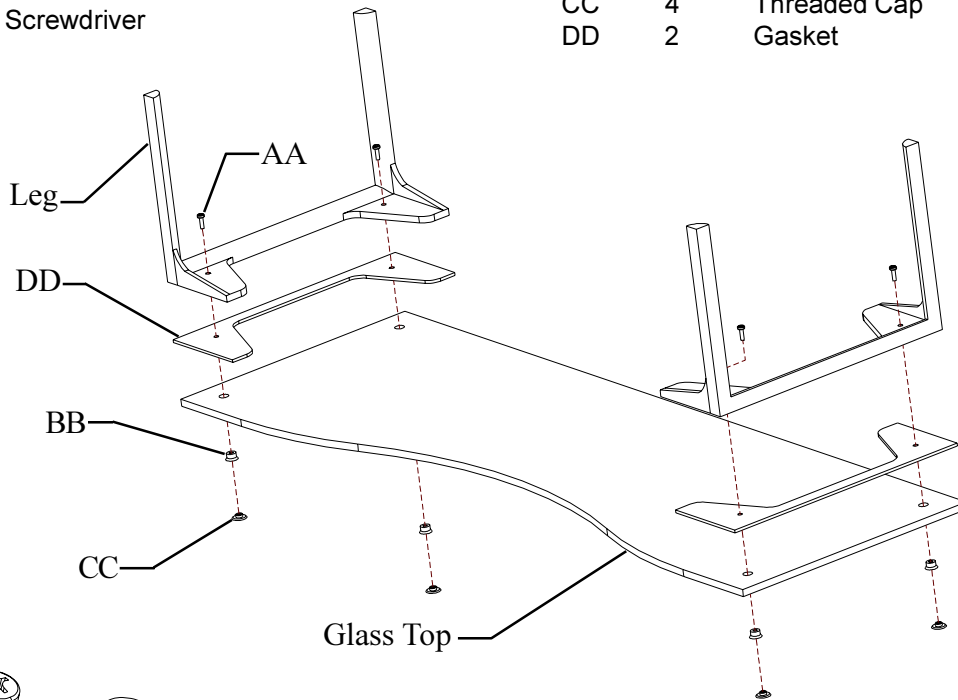
Qty	Description
1	Glass Top
2	Leg

HARDWARE LIST

Ref	Qty	Description
AA	4	M5 x 20mm Phlps. Pan Hd. Screw
BB	4	Bushing
CC	4	Threaded Cap
DD	2	Gasket

TOOLS REQUIRED

Phillips Screwdriver



Attach Legs to Glass Top using Screws (AA), Gaskets (DD), Bushing (BB) and Threaded Cap (CC) as shown. **Do not over tighten screw.**

Bretford
11000 Seymour Avenue
Franklin Park, IL 60131
TEL: 847.678.2545
800.521.9614
FAX: 847.678.0852
800.343.1779

Bretford Ltd.
Technology House
7 Lake End Court, Taplow
Bucks SL6 0JQ England
TEL: 01628 603558
FAX: 01628 604923