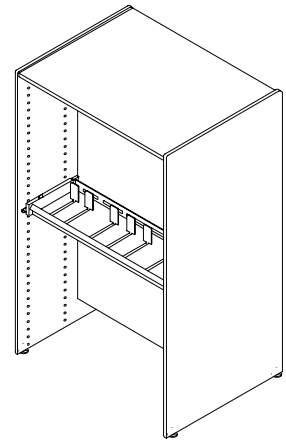




BRETFORD

LEGACY COLLECTION GLIDE DRAWER

ASSEMBLY INSTRUCTIONS

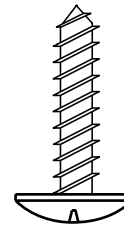


PARTS LIST

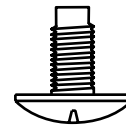
REF	QTY	DESCRIPTION
A2	1	Left Drawer Glide
A3	1	Right Drawer
A4	1	Glide Drawer
A5	10	Stop Brackets
A6	6	Dividers

HARDWARE LIST

REF	QTY	DESCRIPTION
HH	4	#12 x 1/2" Phillips Head Screws
OO	6	1/4-20 x 1/2" Truss Head Machine Screws

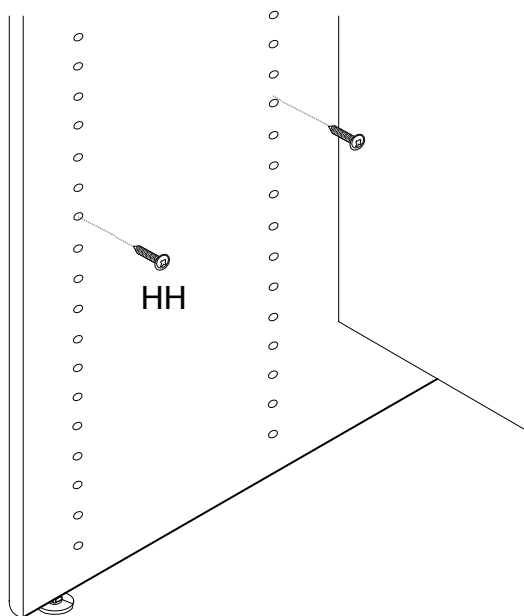


HH



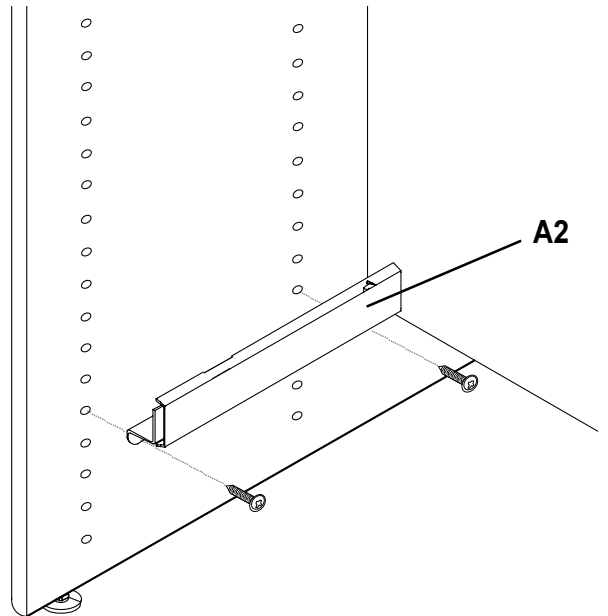
OO

STEP 1

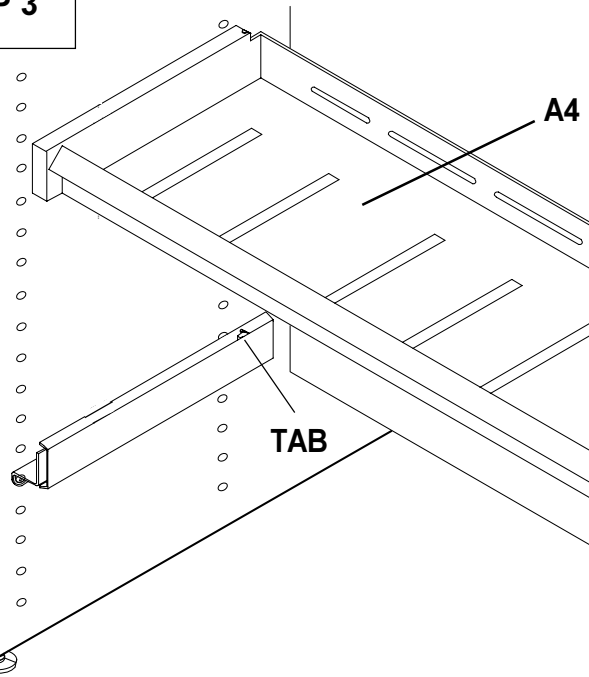


Install two wood screws (HH) in each side panel.
NOTE: Do not thread the screws in fully at this time.

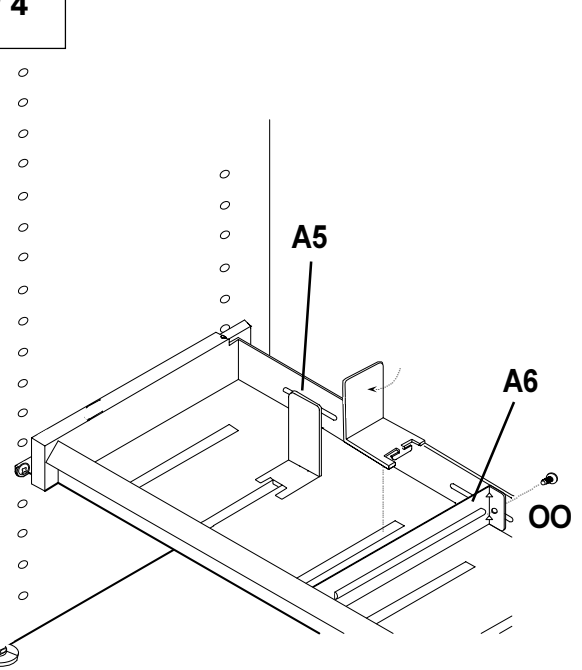
STEP 2



Slide the drawer glides (A2, A3) behind the wood screws.
 Tighten the screws fully.

STEP 3

To install shelves, extend slides fully from unit. Place the shelf onto the slides. To prevent the slide from retracting into the unit, place an index finger onto the rubber stop and then place your thumb on the corner of the shelf. Squeeze index finger and thumb together until locking shelf tab clicks into place. To insure proper assembly check to see if back metal tab is over locking shelf bracket and gently pull shelf upwards. The shelf should remain attached to the slide. If shelf moves, remove shelf and repeat above procedure.

STEP 4

Install the stop brackets (A5) by inserting the notched end into the slots in the drawer and twisting the brackets until perpendicular to the slot. Attach the divider (A6) to the rear of the drawer with machine screw.(OO)

NOTE: The stop bracket can be adjusted to fit looser or tighter by bending the notched end with pliers. Bend upward to tighten and bend downward to loosen.

Bretford
 11000 Seymour Avenue
 Franklin Park, IL 60131
 TEL: 847.678.2545
 800.521.9614
 FAX: 847.678.0852
 800.343.1779

Bretford Ltd.
 Technology House
 2 Etongate, 110 Windsor Road
 Slough, Berkshire SL1 2JA England
 TEL: 01753 53 99 55
 FAX: 01753 53 94 78