

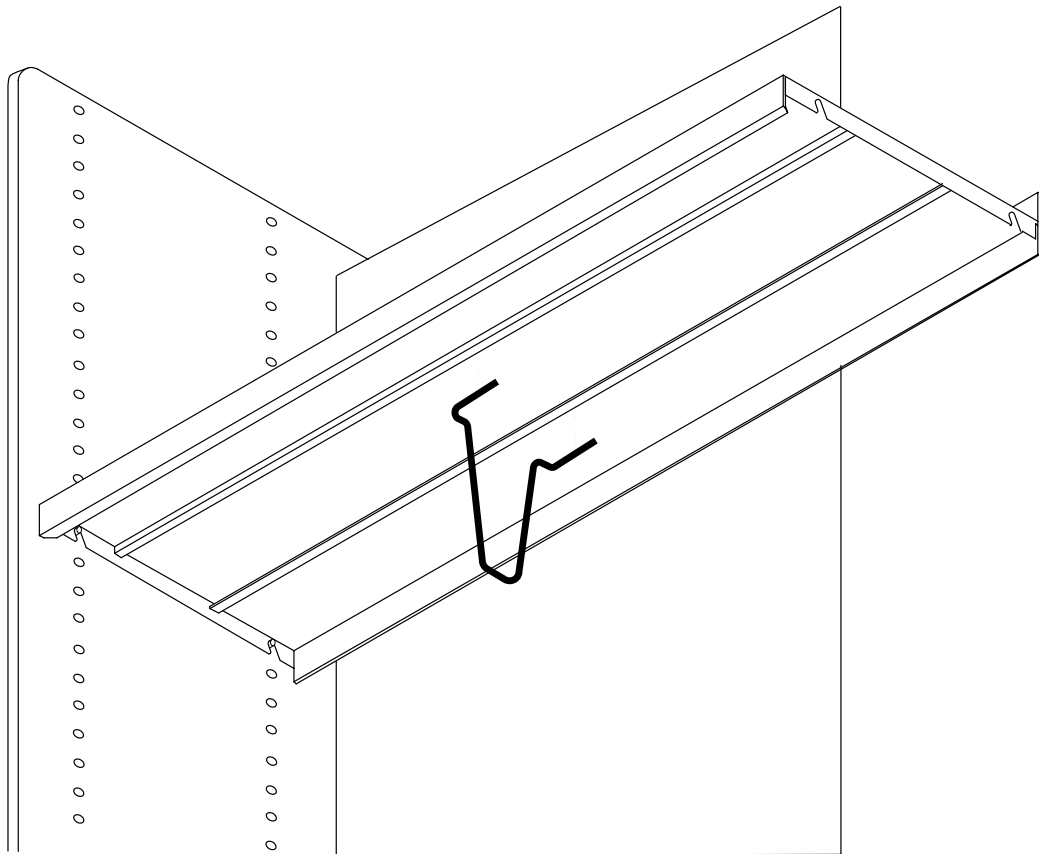
# LBSP

## BOOK SUPPORTS

### Assembly Instructions

#### PARTS LIST

Qty	Description
2	Book Supports



Book supports are attached by squeezing the support and inserting the legs of the divider into the channel on the underside of the shelf.

**Bretford**  
11000 Seymour Avenue  
Franklin Park, IL 60131  
TEL: 847.678.2545  
800.521.9614  
FAX: 847.678.0852  
800.343.1779

**Bretford Ltd.**  
Technology House  
7 Lake End Court, Taplow  
Bucks SL6 0JQ England  
TEL: 01628 603558  
FAX: 01628 604923