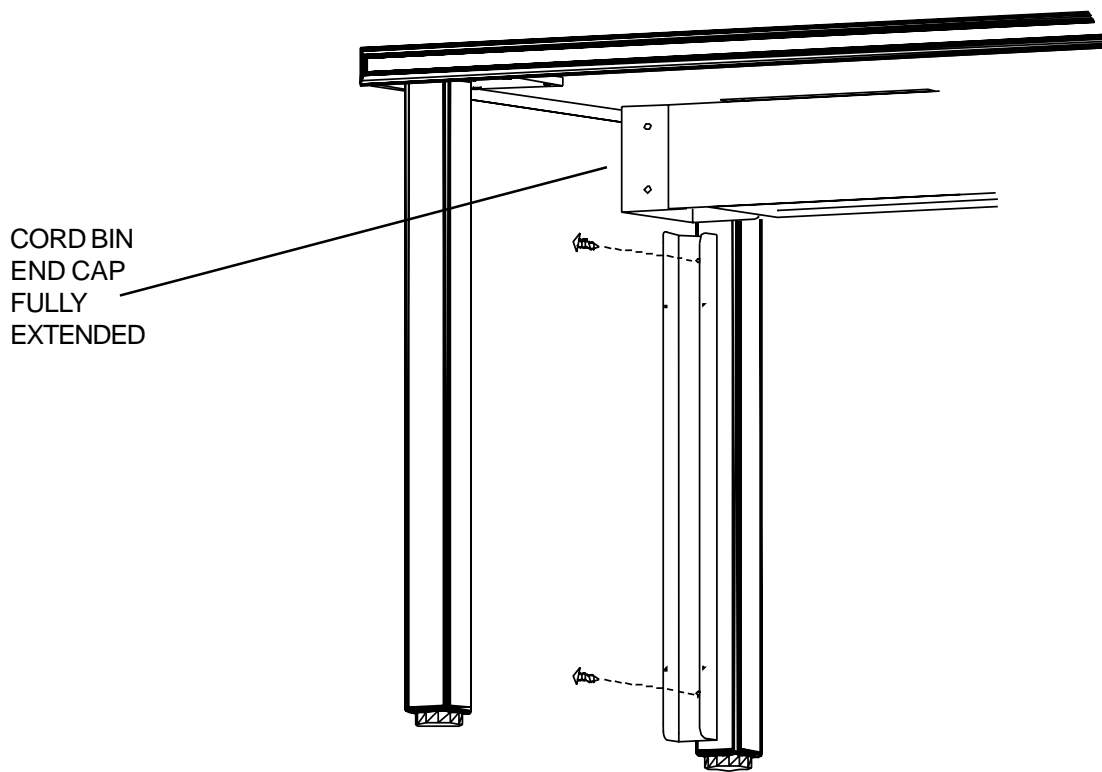




LEGACY COLLECTION
HARDWIRE POWER FEED PACK
FOR TECHNOLOGY TABLES AND CARRELS
Assembly Instructions

PARTS LIST

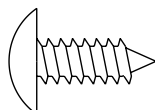
Qty.	Description
1	Leg Chase Body
1	Leg Chase Cover
1	Leg Chase Door
1	Power Feed
2	#10 x 1/2" Truss Head Screws
4	#6 x 1/4" Phillips Pan Head Screws

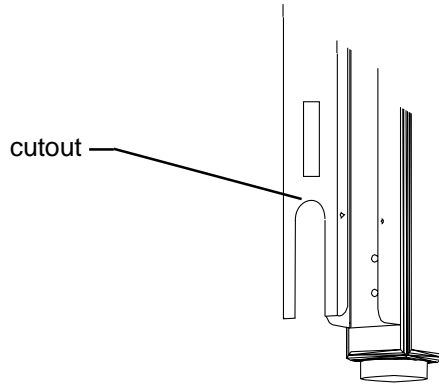


STEP 1

Position leg chase body on your table leg or carrel back panel, mark holes and drill pilot holes. Install the leg chase body with the #10 x 1/2" screws as shown.

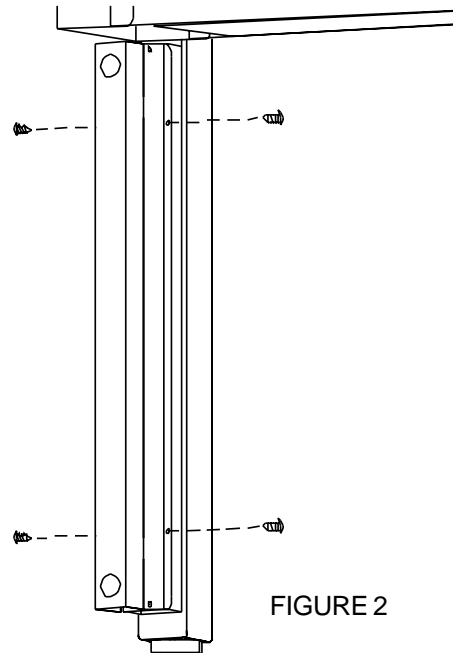
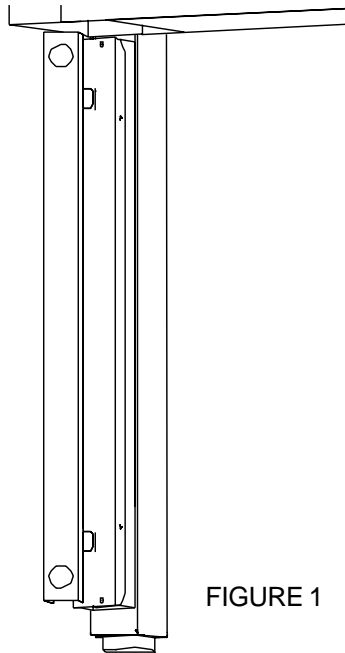
NOTE: The end cap on the cord bin **MUST** be extended fully.





STEP 2

Once the power feed has been run, slide the leg chase cover over the leg chase body, making sure that the cutout is facing downward. Align 4 holes in cover with holes in body.



STEP 3

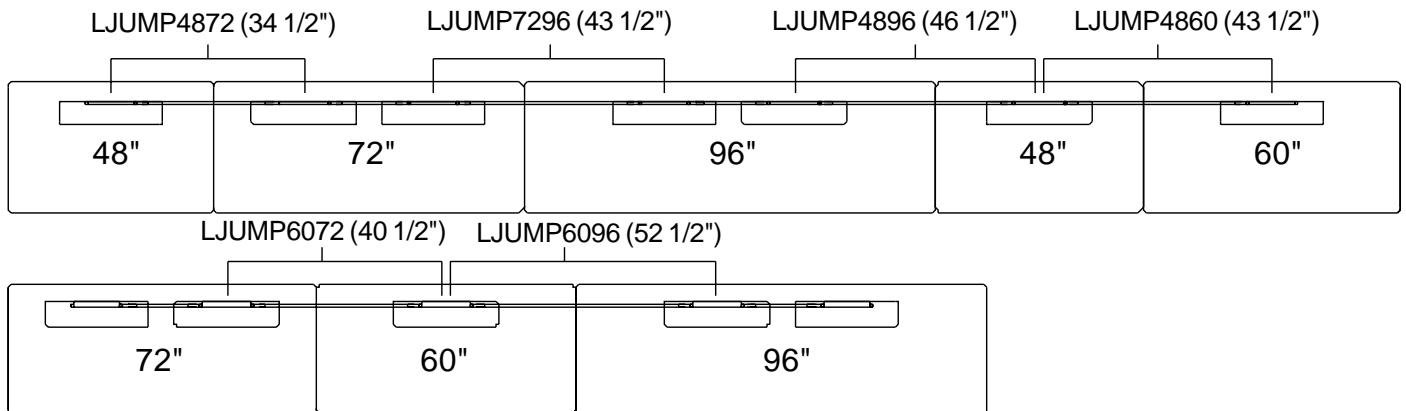
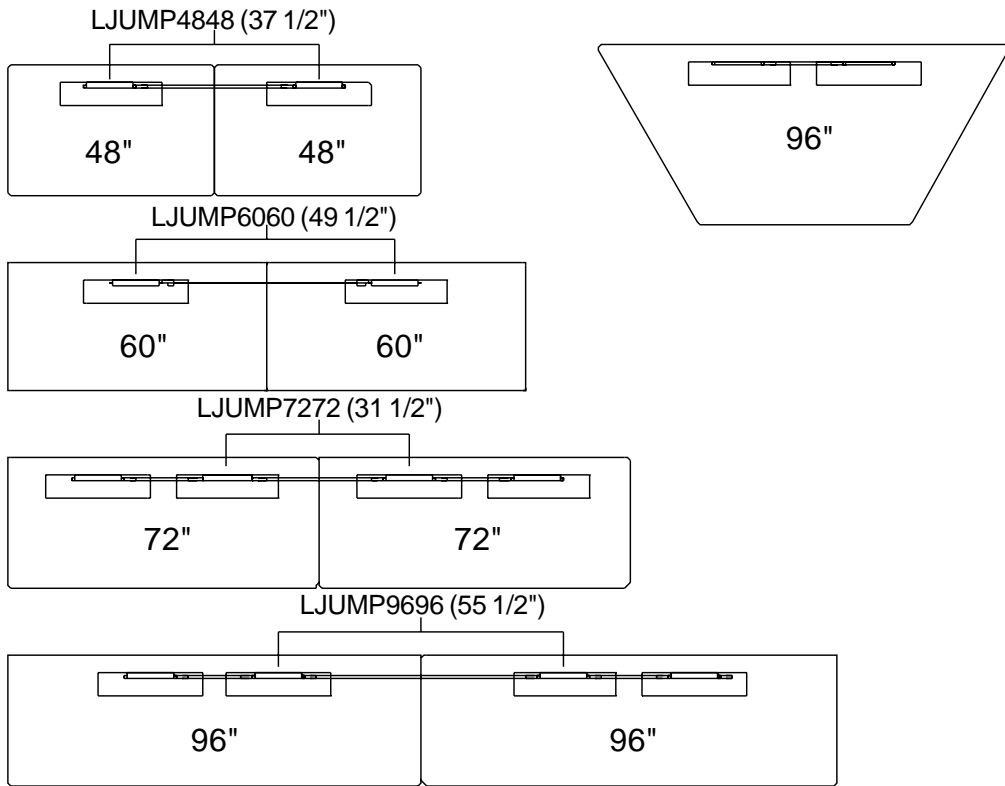
Hook the leg chase door into the slots in the leg chase cover as shown in **FIGURE 1**. Secure all pieces in place through the 4 side holes with the #6 x 1/4" screws as shown in **FIGURE 2**.

The following diagrams are to help you determine which power jumpers to use in your particular configuration of Technology Tables.

Bretford recommends that you keep these instructions for any future reference.

NOTE: All power jumpers models listed below are sold SEPARATELY

TECHNOLOGY TABLES

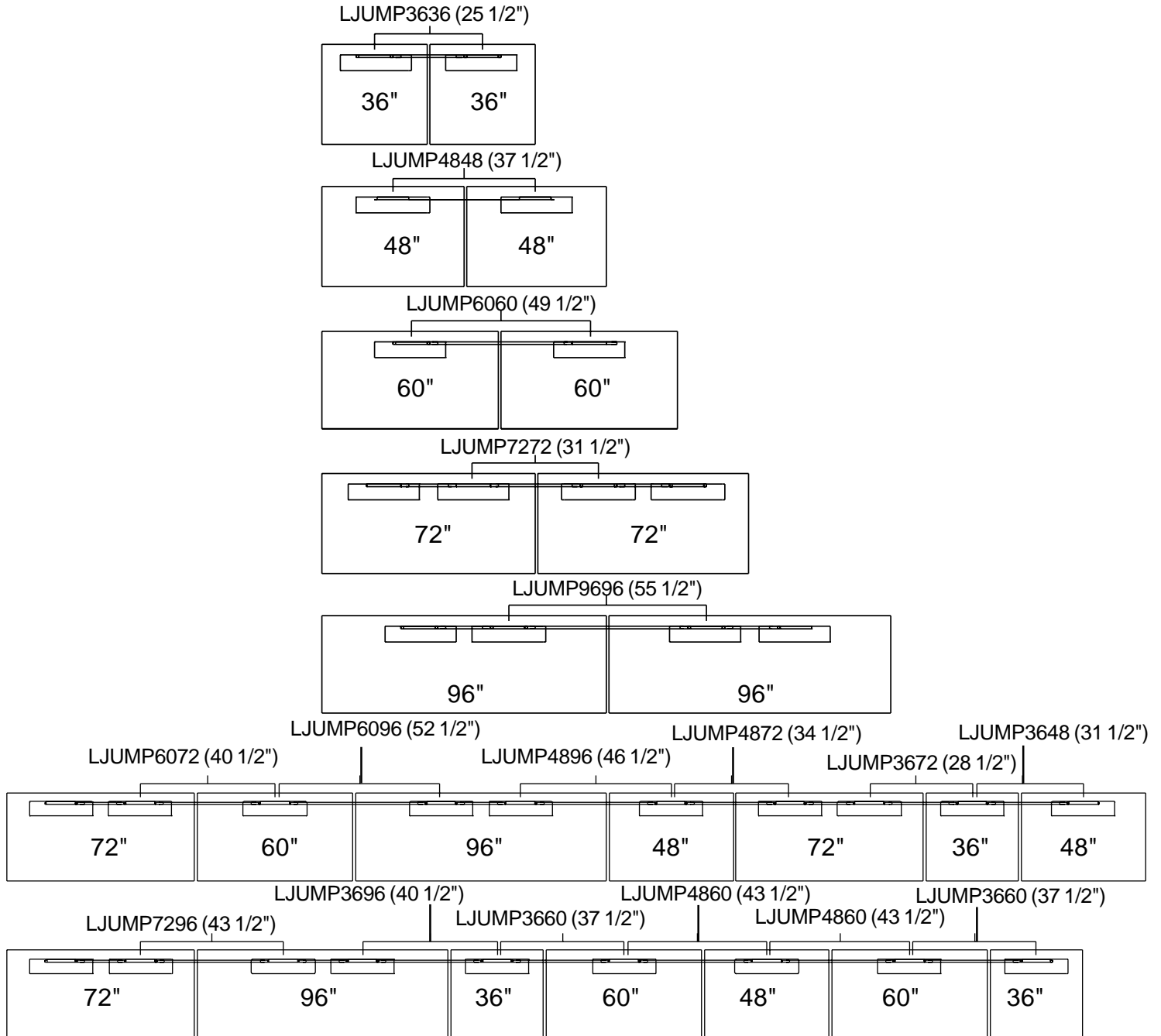


The following diagrams are to help you determine which power jumpers to use in your particular configuration of Technology Carrels.

Bretford recommends that you keep these instructions for any future reference.

NOTE: All power jumpers models listed below are sold SEPARATELY

TECHNOLOGY CARRELS



Bretford
 11000 Seymour Avenue
 Franklin Park, IL 60131
 TEL: 847.678.2545
 800.521.9614
 FAX: 847.678.0852
 800.343.1779

Bretford Ltd.
 Technology House
 7 Lake End Court, Taplow
 Bucks SL6 0JQ England
 TEL: 01628 603558
 FAX: 01628 604923

Part #031-3052
 Rev. 07-12-01 IM