



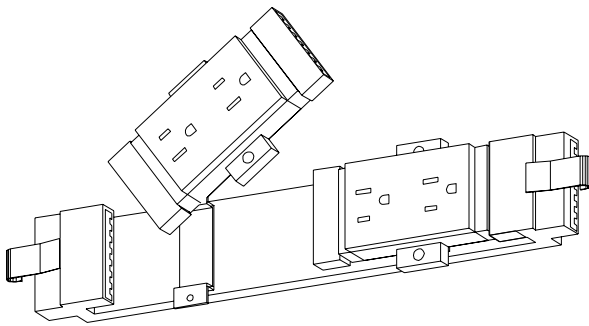
LEGACY COLLECTION
POWER HARNESS PACK
FOR TECHNOLOGY TABLES AND CARRELS
Assembly Instructions

PARTS LIST (LHRNPK364860)

Qty.	Description
1	Dekko Cover Plate
1	Power Harness
2	#6 x 1/4" Pan Head Screws

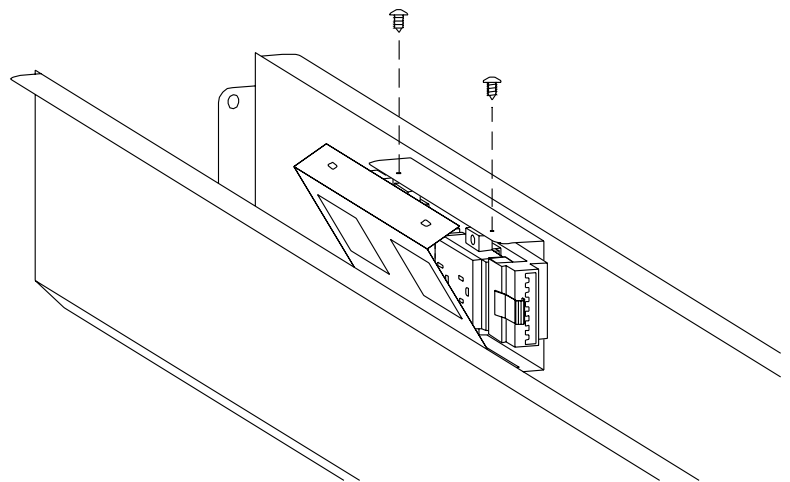
PARTS LIST (LHRNPK7296)

Qty.	Description
2	Dekko Cover Plates
2	Power Harnesses
1	19 1/2" Jumper
4	#6 x 1/4" Pan Head Screws



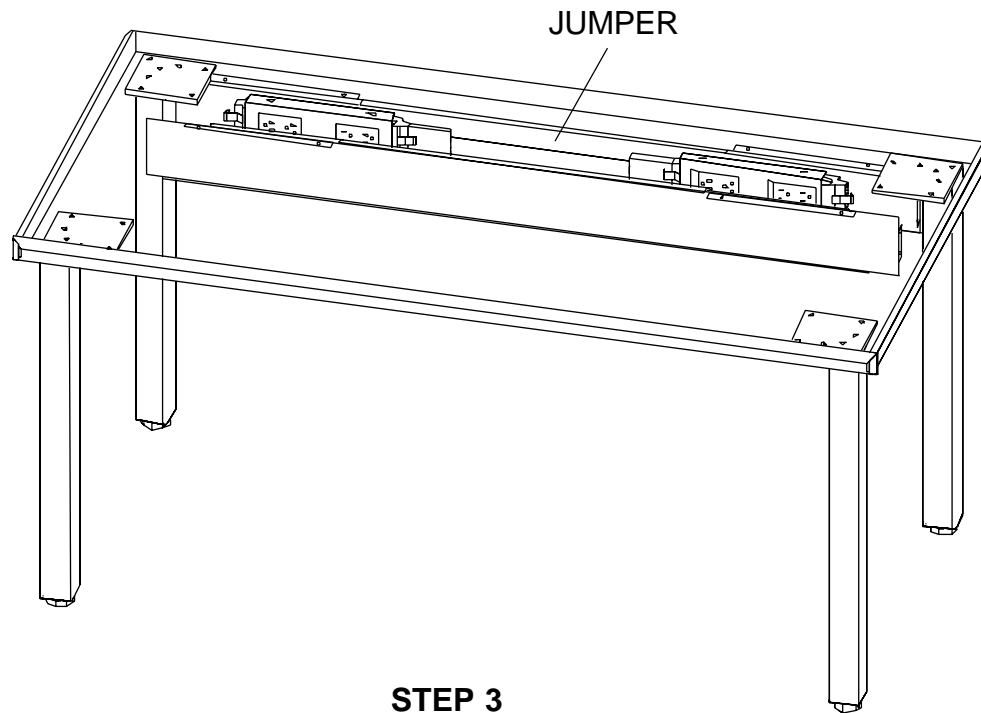
STEP 1

Snap your duplex receptacles into the harness as shown. **NOTE:** The duplex receptacles are sold separately.



STEP 2

Slide the harness into the mounting bracket in the cord bin. Position the cover plate in front of the harness and attach it with the #6 x 1/4" screws as shown.



STEP 3

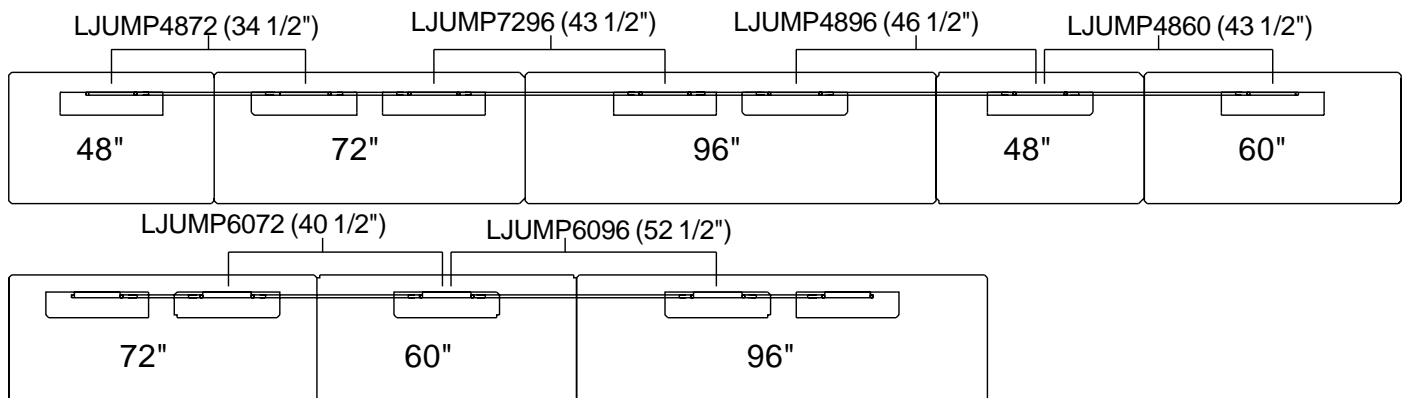
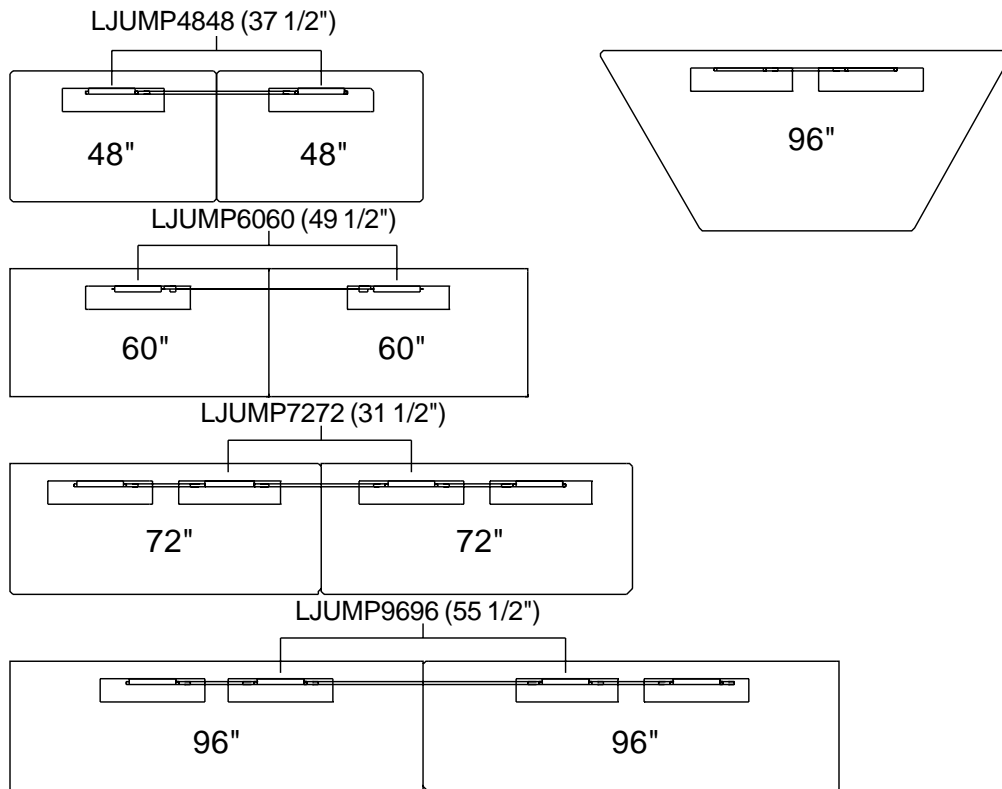
Plug in jumper between the harnesses in your table or carrel. If connecting more than one table together, just keep plugging in appropriate jumpers between harnesses. **NOTE:** Model LHRNPK7296 comes with a 19 1/2" jumper. All other size jumpers are sold separately. (Graphic is shown with a cutout view through table top for clarity)

The following diagrams are to help you determine which power jumpers to use in your particular configuration of Technology Tables.

Bretford recommends that you keep these instructions for any future reference.

NOTE: All power jumpers models listed below are sold SEPARATELY

TECHNOLOGY TABLES

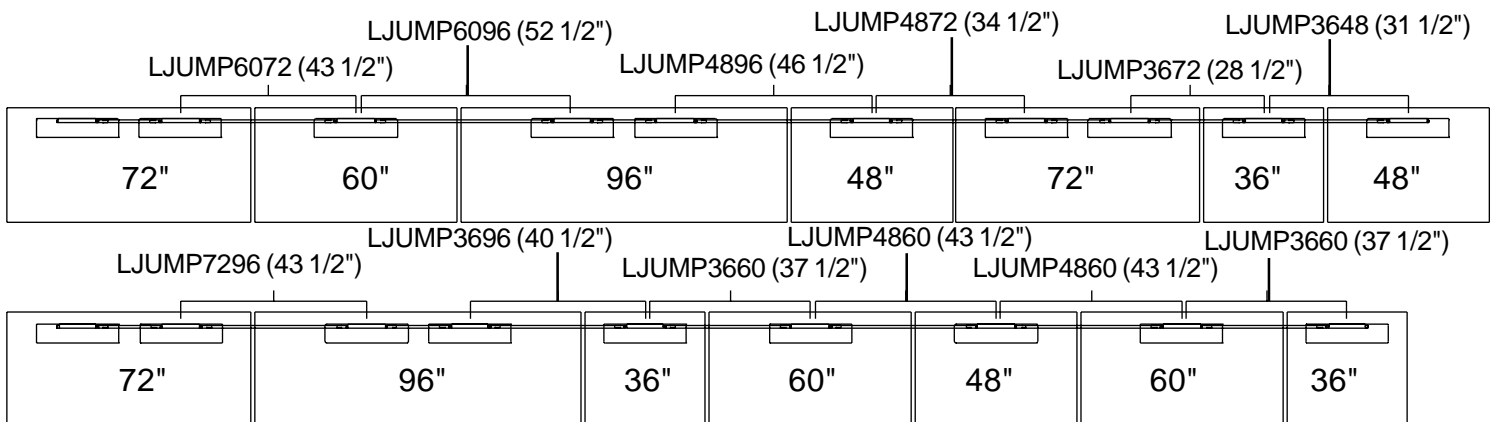
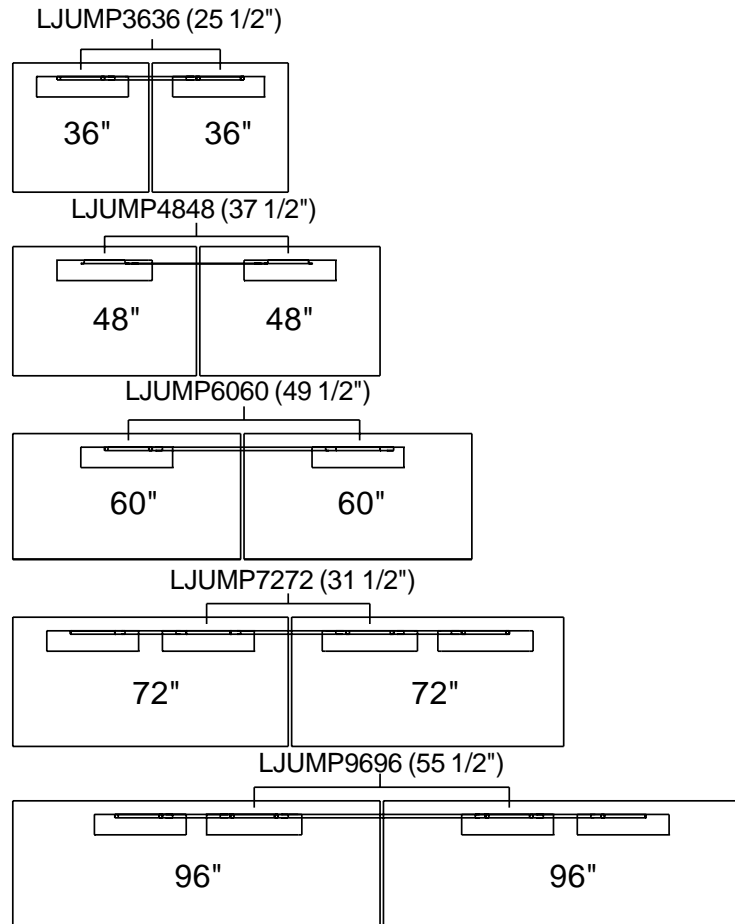


The following diagrams are to help you determine which power jumpers to use in your particular configuration of Technology Carrels.

Bretford recommends that you keep these instructions for any future reference.

NOTE: All power jumpers models listed below are sold SEPARATELY

TECHNOLOGY CARRELS



Bretford
 11000 Seymour Avenue
 Franklin Park, IL 60131
 TEL: 847.678.2545
 800.521.9614
 FAX: 847.678.0852
 800.343.1779

Bretford Ltd.
 Technology House
 7 Lake End Court, Taplow
 Bucks SL6 0JQ England
 TEL: 01628 603558
 FAX: 01628 604923

Part #031-3051
 Rev. 11-11-98 BW