



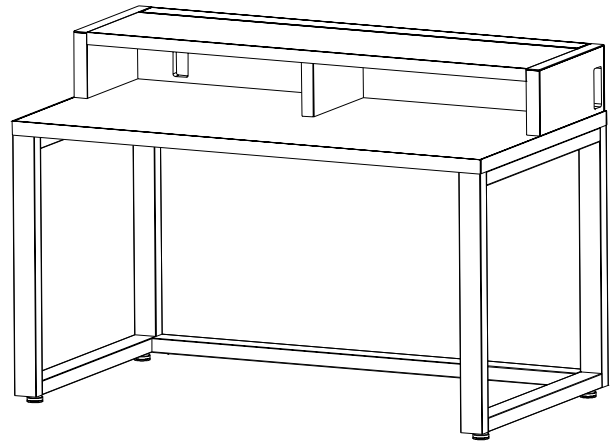
BRETFORD™

BRETFORD LIBRARY SYSTEMS

IHD3054CD IHD3078CD

ITHACA COMPUTER DESK

Assembly Instructions



Parts List

| Qty. | Part No. | Description |
|------|----------|---------------------------------|
| 1 | 022-2531 | Left Side Frame Assembly |
| 1 | 022-2532 | Right Side Frame Assembly |
| 1 | 017-0828 | Top Support Rail - IHD3054CD |
| 1 | 017-0830 | Top Support Rail - IHD3078CD |
| 1 | 017-0829 | Bottom Support Rail - IHD3054CD |
| 1 | 017-0831 | Bottom Support Rail - IHD3078CD |
| 1 | 010-4435 | Side Panel Bracket |
| 1 | 010-4436 | Side Panel Bracket |
| 3 | 010-4434 | Back Panel Brackets - IHD3054CD |
| 4 | 010-4434 | Back Panel Brackets - IHD3078CD |
| 1 | Varies | Computer Desk Worksurface Top |
| 1 | | Wood Right Side Panel |
| 1 | | Wood Left Side Panel |
| 1 | | Wood Middle Panel |
| 1 | | Wood Top Panel |
| 1 | | Wood Back Panel |
| 1 | | Wood Rear Top Panel |

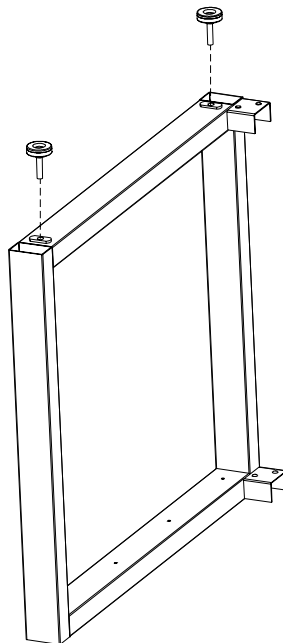
SAFETY WARNING

Note: TWO PERSON

ASSEMBLY REQUIRED

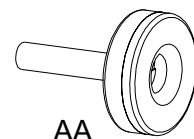
Hardware List

| Ref. | Qty. | Part No. | Description |
|------|------|----------|-------------------------------|
| AA | 4 | HD1128 | 1 3/4" X 3/8-16 Floor Glides |
| BB | 8 | 030-0962 | 10-32 x 1/2" Pan Hd Screws |
| CC | 12 | 030-1148 | #8 x 3/4" Pan Wood Screws |
| DD | 15 | SC1042 | #8 X 2 1/4" Bugle Flat Screws |
| EE | 6 | 030-1157 | 10 x 4" Wood Screws |

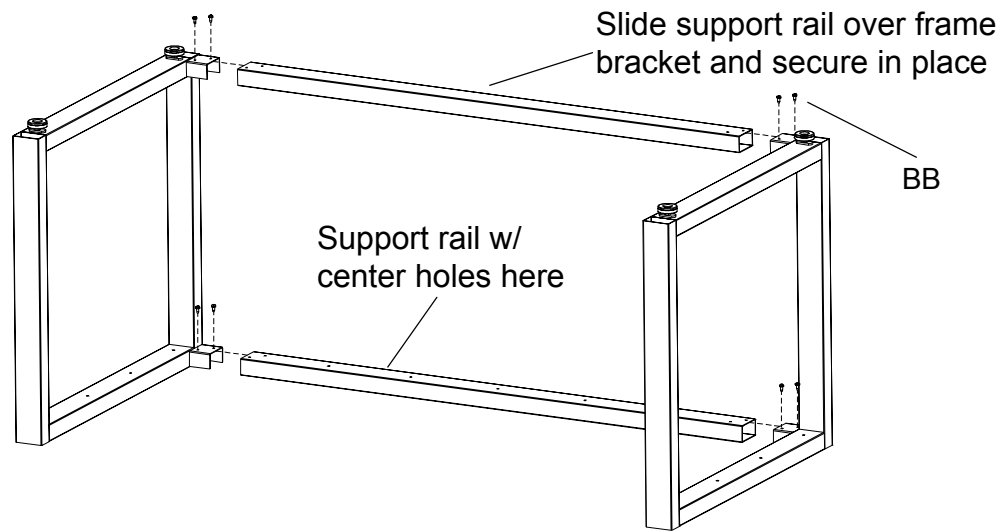


STEP 1

Install each floor glide into the bottom of both the right and left side frames as shown.

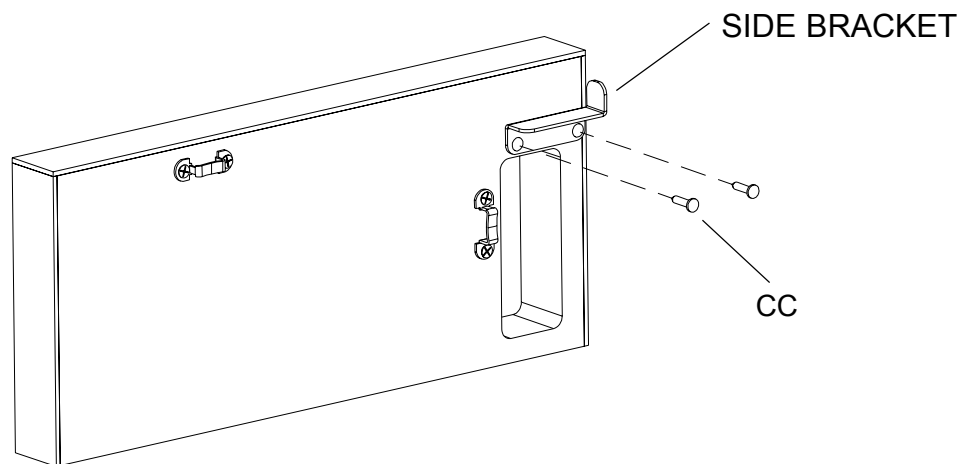
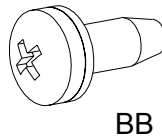


AA



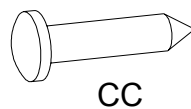
STEP 2

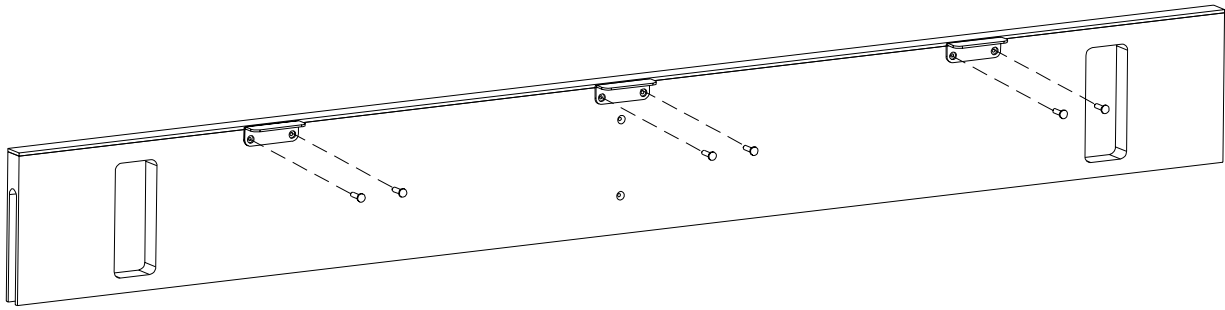
Stand the side frames up as shown. Slide each support rail over the frame brackets and secure together using screws (BB). **NOTE:** Make sure the support rail with the center through holes is on the bottom as shown.



STEP 3

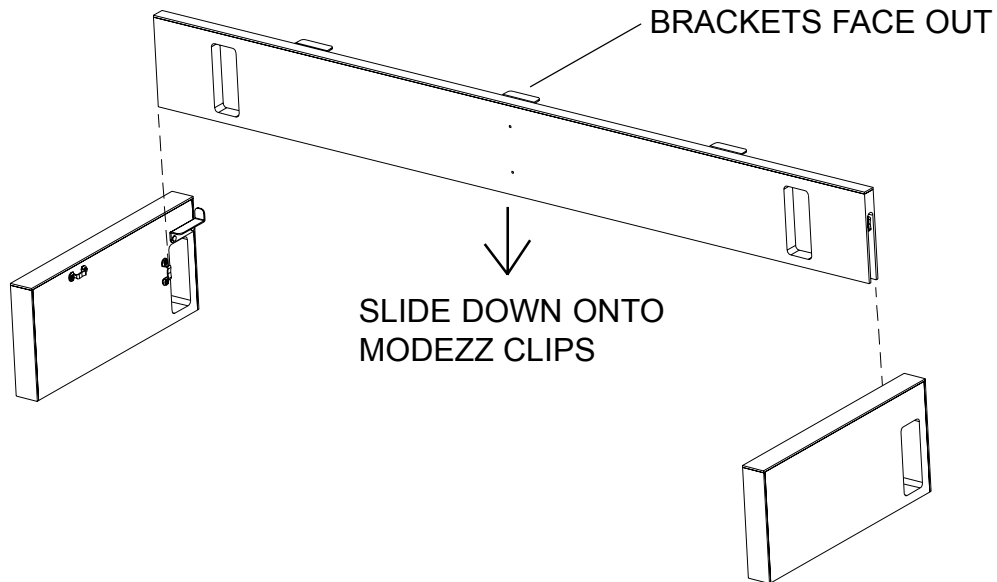
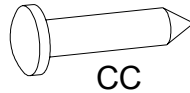
Attach a side bracket to each side panel with screws (CC) as shown.





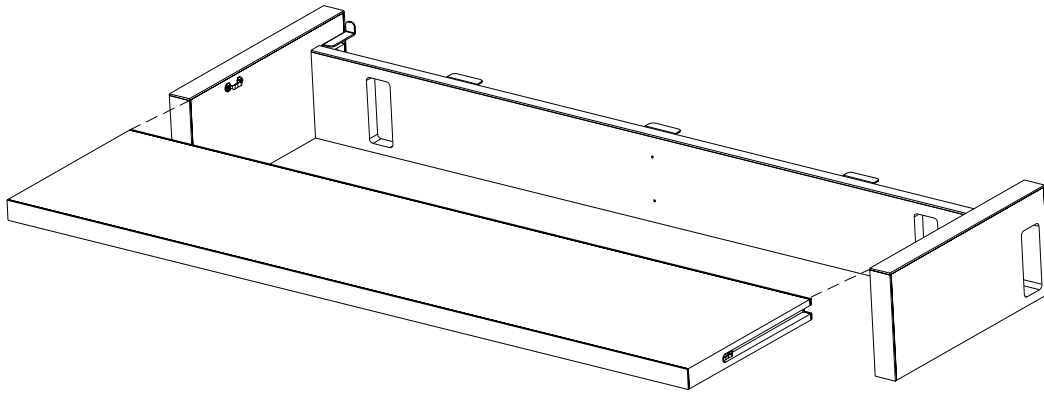
STEP 4

Attach the back brackets to the back panel with screws (CC) as shown. **NOTE:** Model IHD3054CD uses 3 brackets (shown) and model IHD3078CD use 4 brackets



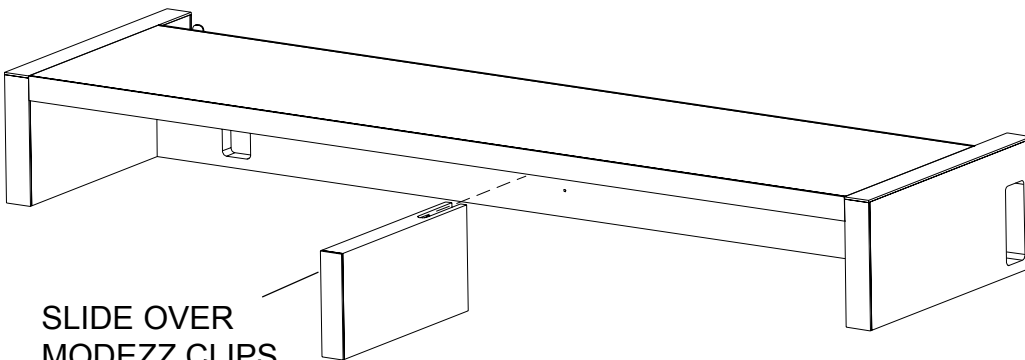
STEP 5

Stand each side panel across from each other with brackets and modezz clips facing inward. Slide the back panel between the side panels locking them in place through the modezz clips as shown. **NOTE:** The brackets on the back panel faces the back (outward).



STEP 6

Slide the top shelf into the side/back assembly over the modezz clips as shown.



SLIDE OVER
MODEZZ CLIPS
UNDER TOP
SHELF

FIGURE 1

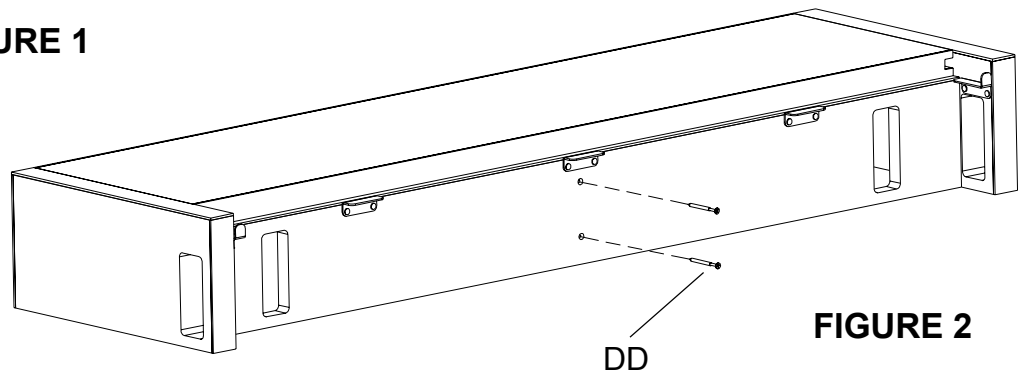
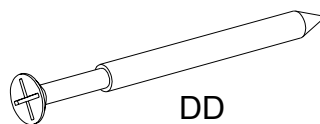


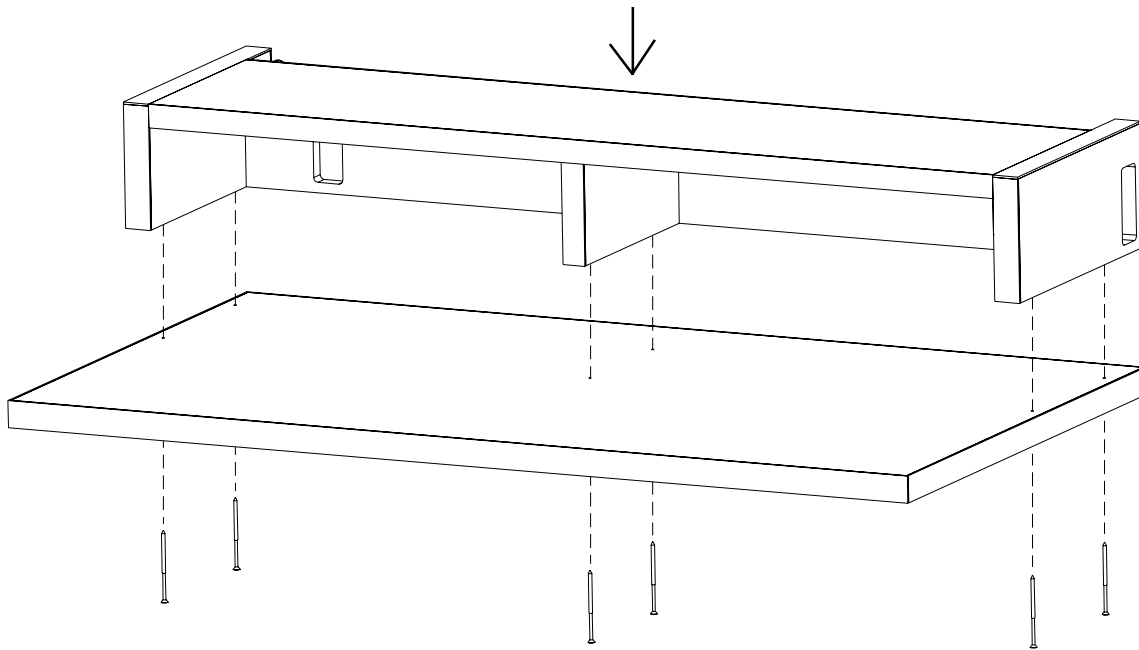
FIGURE 2

STEP 7

Secure middle panel to top by sliding it in over the modezz clip as shown in **FIGURE 1**. Turn assembly around and secure middle panel to back panel using screws (DD) as shown in **FIGURE 2**.

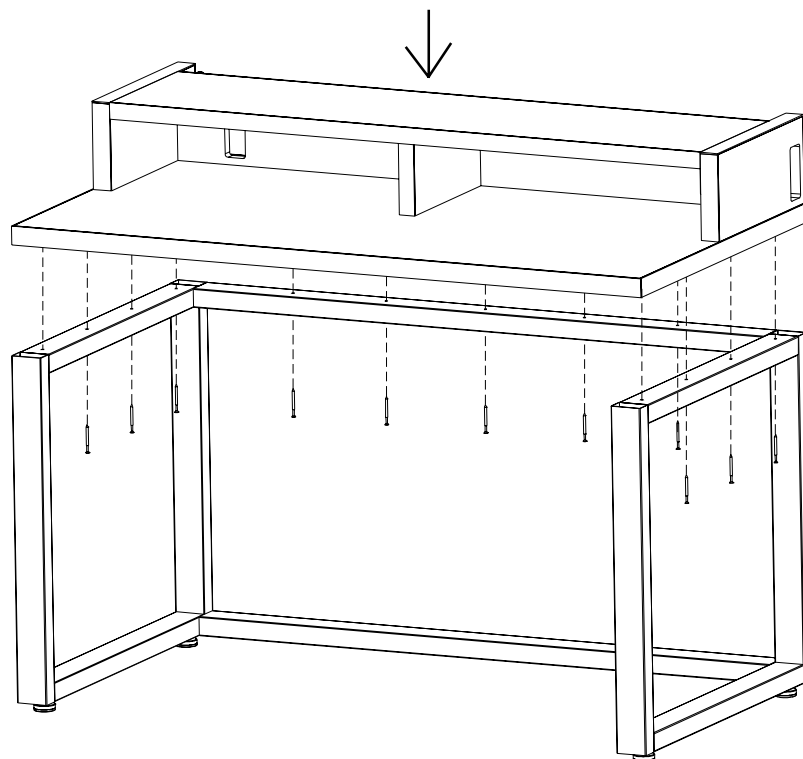
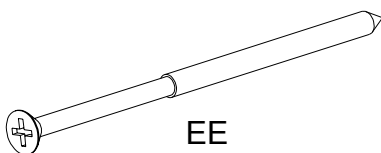


DD



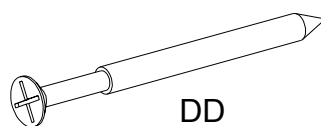
STEP 8

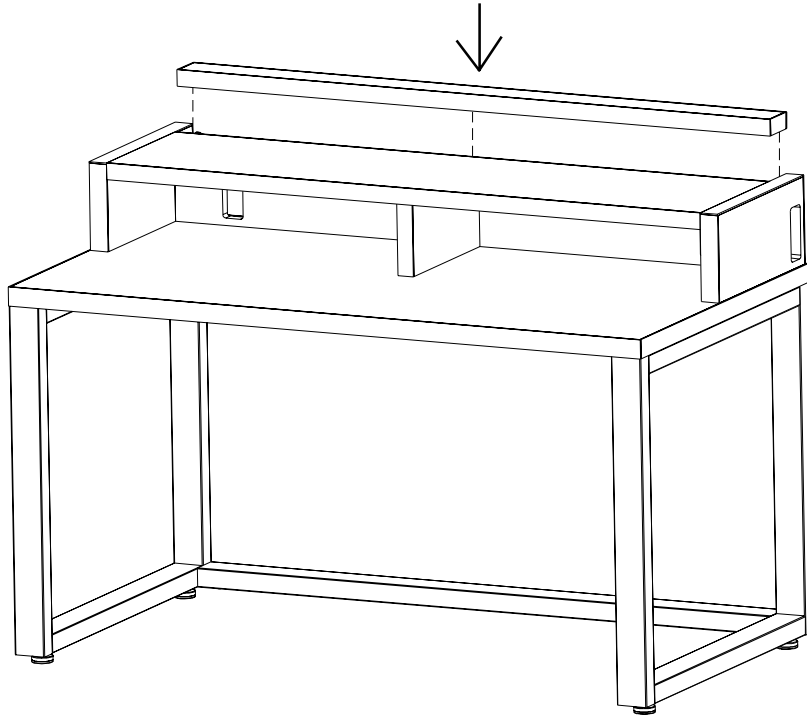
Attach shelf assembly to work surface top using screws (EE) as shown.



STEP 9

Stand frame assembly upright and level. Then attach top assembly to frame assembly with screws (DD) as shown.





STEP 8

Place the rear top panel onto the brackets on the upper assembly as shown.

Bretford
11000 Seymour Avenue
Franklin Park, IL 60131
TEL: 847.678.2545
800.521.9614
FAX: 847.678.0852
800.343.1779

Bretford Ltd.
2 Etongate
110 Windsor Road
Slough, Berkshire SL1 2JA England
TEL: 01753 216531
FAX: 01753 539478

www.bretford.com

Part # 031-5992
01.23.06 CZ