



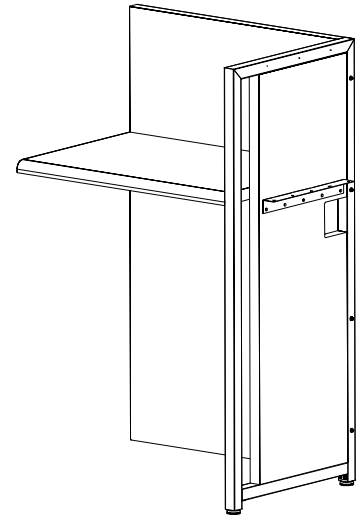
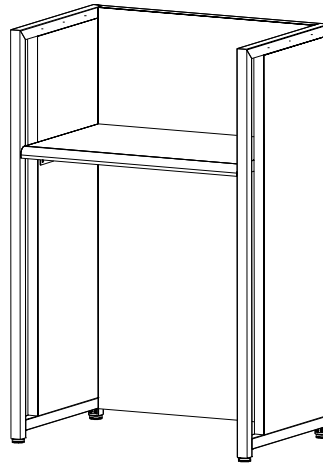
BRETFORD™

BRETFORD LIBRARY SYSTEMS

IHK3624KS IHK3624KA

ITHACA SINGLE FACE KIOSK STARTER AND ADD ON

Assembly Instructions

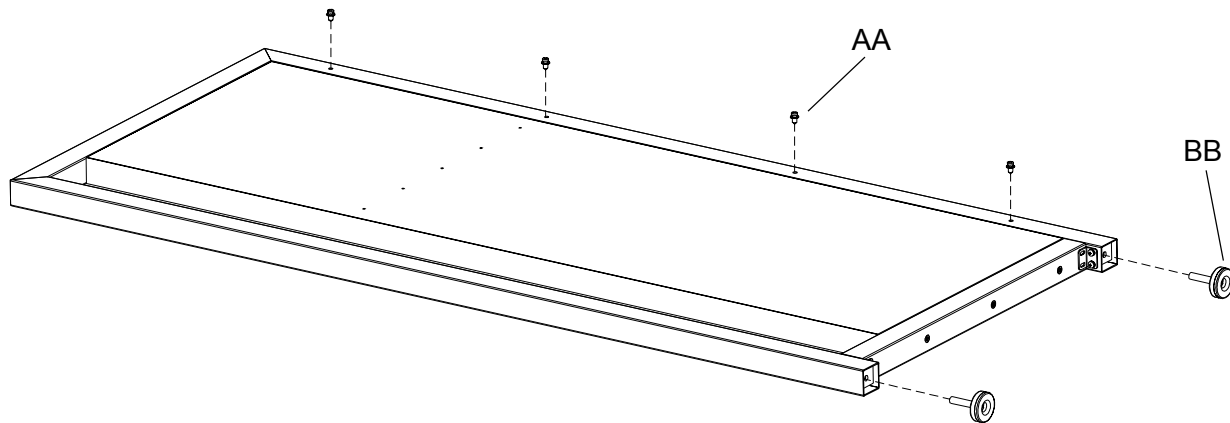


Parts List

Qty.	Description
1	Left Side Panel - Starter Model ONLY
1	Right Side Panel - Starter Model ONLY
1	Middle Panel - Add On Model ONLY
1	Back Panel - All Models
1	Worksurface - All Models
3	Worksurface Brackets - All Models

Hardware List

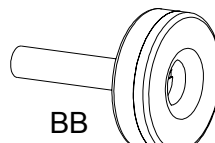
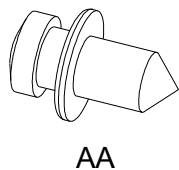
Ref.	Qty.	Part No.	Description
AA	8	030-1146	7/32 x 11mm Modezz Screws
BB	4/2*	HD1128	1 3/4" X 3/8-16 Floor Glides
			*Starter Models use 4
			*Add On Models use 2
CC	28	030-1148	#8 x 3/4" Phillips Pan Hd Wood Screws



STEP 1

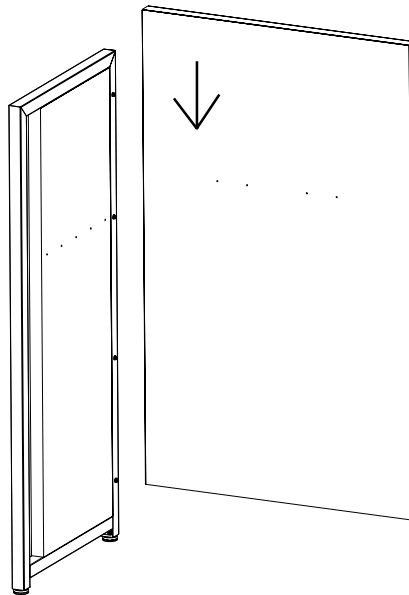
Lay each side panel down with holes facing up as shown. Install modezz screws (AA) into edge holes and glides (BB) into leg bottoms.

NOTE: For middle panels, modezz screws are installed on both sides.



SAFETY WARNING

Note: TWO PERSON
ASSEMBLY REQUIRED



The next panel to install will be an end or middle panel depending on your final layout.

NOTE: If panel does not go down entirely, try backing out the modezz clip screws a 1/4 turn at a time.

STEP 2

With someone's help, attach the back panel to the side by lining up the modezz screw and modezz clip and then sliding into place. Attach the other side panel and/or middle panel in the same manner. **NOTE:** If you are assembling more than one unit, keep installing middle panels. The final end panel will get attached at the end of your row.

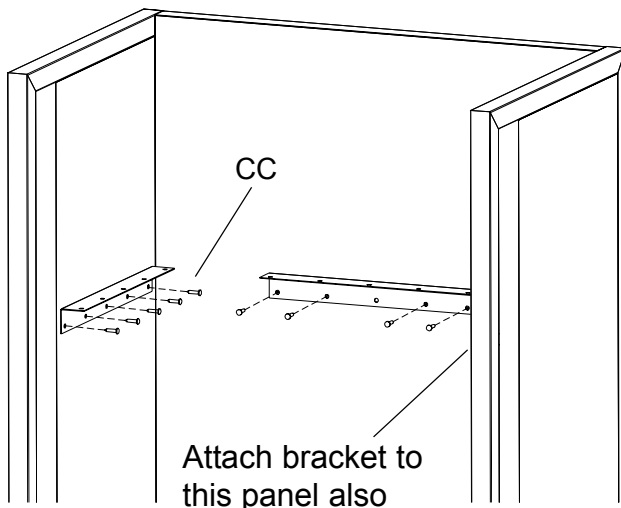


FIGURE 1

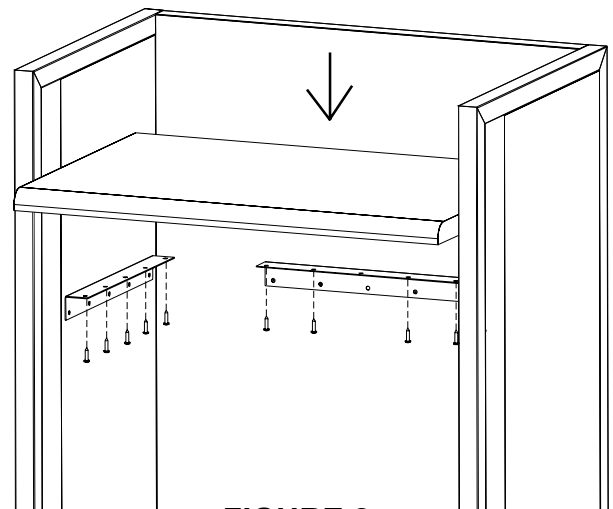
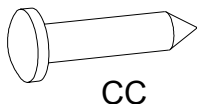


FIGURE 2

STEP 3

Attach a worksurface bracket to each side panel and back panel with screws (CC) as shown in **FIGURE 1**. Then place the work surface onto the brackets and secure with screws (CC) as shown in **FIGURE 2**.



Bretford
11000 Seymour Avenue
Franklin Park, IL 60131
TEL: 847.678.2545
800.521.9614
FAX: 847.678.0852
800.343.1779

Bretford Ltd.
2 Etongate
110 Windsor Road
Slough, Berkshire SL1 2JA England
TEL: 01753 216531
FAX: 01753 539478

www.bretford.com

Part # 031-5826
12.08.05 CZ