



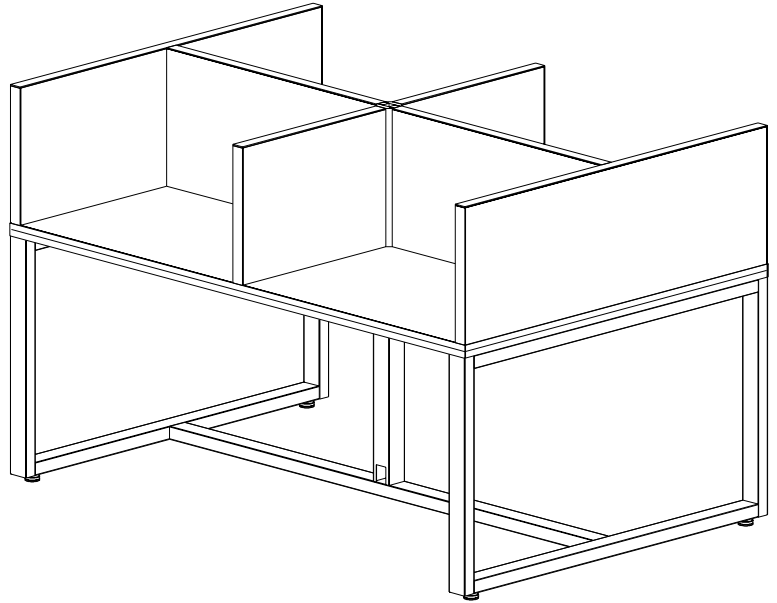
BRETFORD™

BRETFORD LIBRARY SYSTEMS

IHD4872SD

ITHACA STUDY DESK

Assembly Instructions



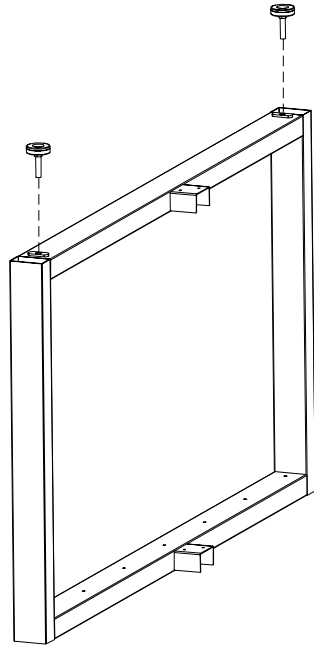
Parts List

Qty.	Part No.	Description
2	022-2530	Side Frame Assemblies
1	022-2539	Middle Support
1	Varies	Worksurface Top
1	Varies	Center Post
2	Varies	End Divider Panels (Approx. 47.75"L)
4	Varies	Middle Divider Panels (2 - Approx. 33"L & 2 - Approx. 22.75"L)

SAFETY WARNING
Note: TWO PERSON
ASSEMBLY REQUIRED

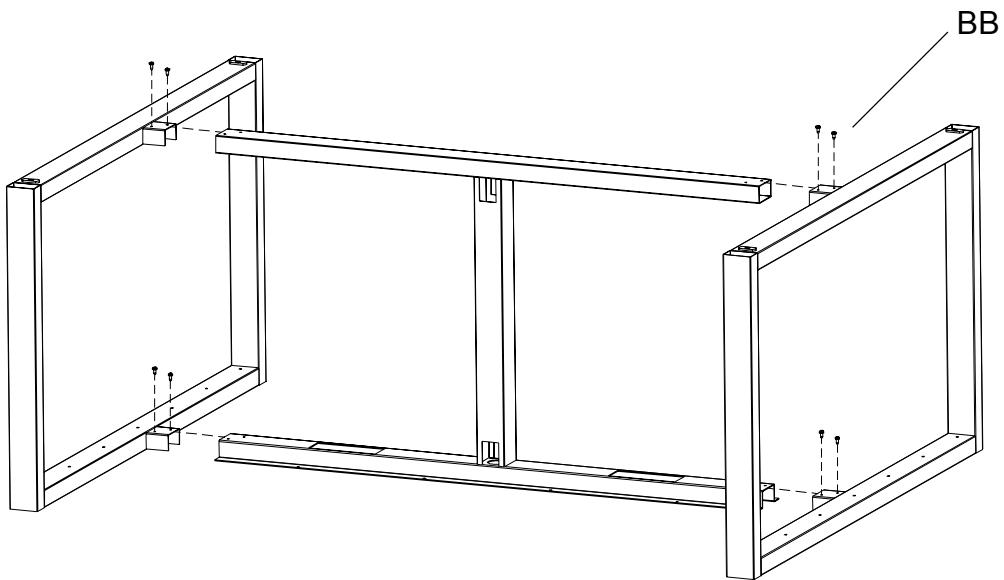
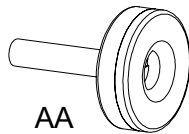
Hardware List

Ref.	Qty.	Part No.	Description
AA	4	HD1128	1 3/4" X 3/8-16 Floor Glides
BB	8	030-0962	10-32 x 1/2" Phillips Pan Hd Screws
CC	12	030-1147	Mod-eez Screws 11.5mm x 16mm
DD	16	030-1157	10 x 4" Wood Screws
EE	8	SC1038	#8 x 1 1/4" Phillips Bugle Screws
FF	14	SC1042	#8 x 2 1/4" Bugle Flat Head Screws



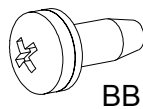
STEP 1

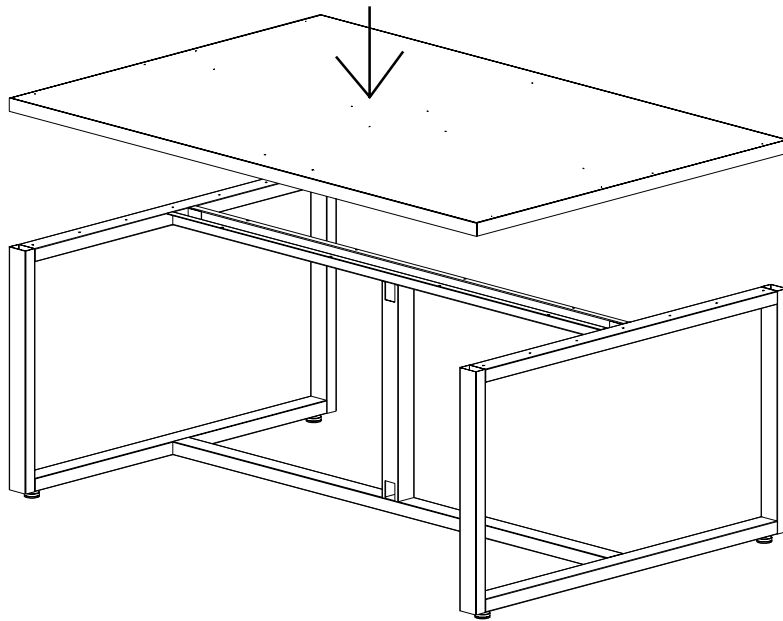
Install each floor glide into the bottom of both side frames as shown.



STEP 2

Stand the side frames up as shown. Slide the middle support over the frame brackets and secure together using screws (BB).





STEP 3

Place work surface top onto base assembly. **DO NOT ATTACH TOP TO BASE AT THIS TIME.**

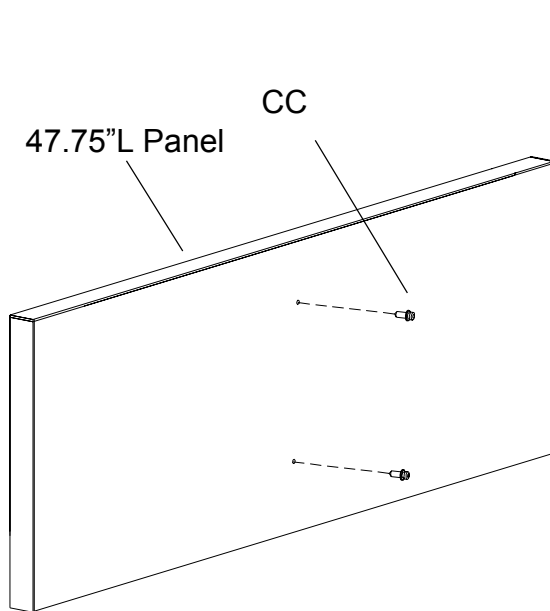


FIGURE 1

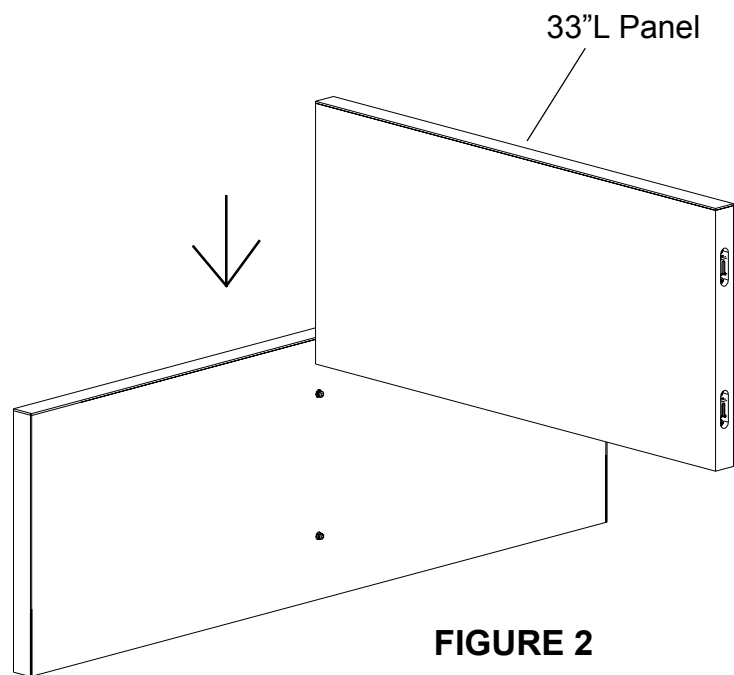
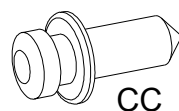


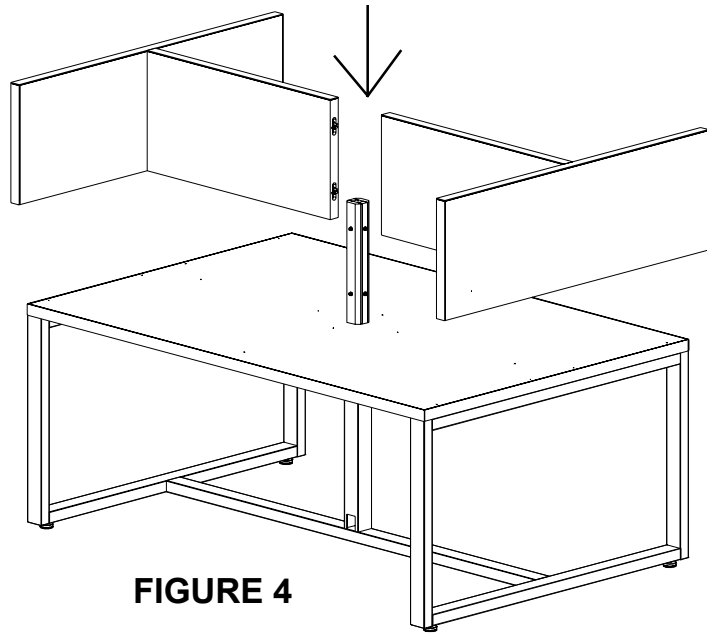
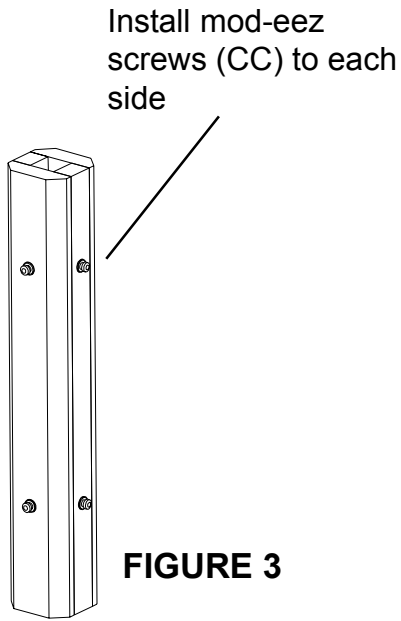
FIGURE 2

STEP 4

Install mod-eez screws (CC) into each end divider panel as shown in **FIGURE 1**. Then slide a middle divider panel onto the end divider as shown in **FIGURE 2**. Repeat this procedure for the other end and middle divider. Make sure you install the correct size divider panels indicated, the smaller ones are used in Step 6.

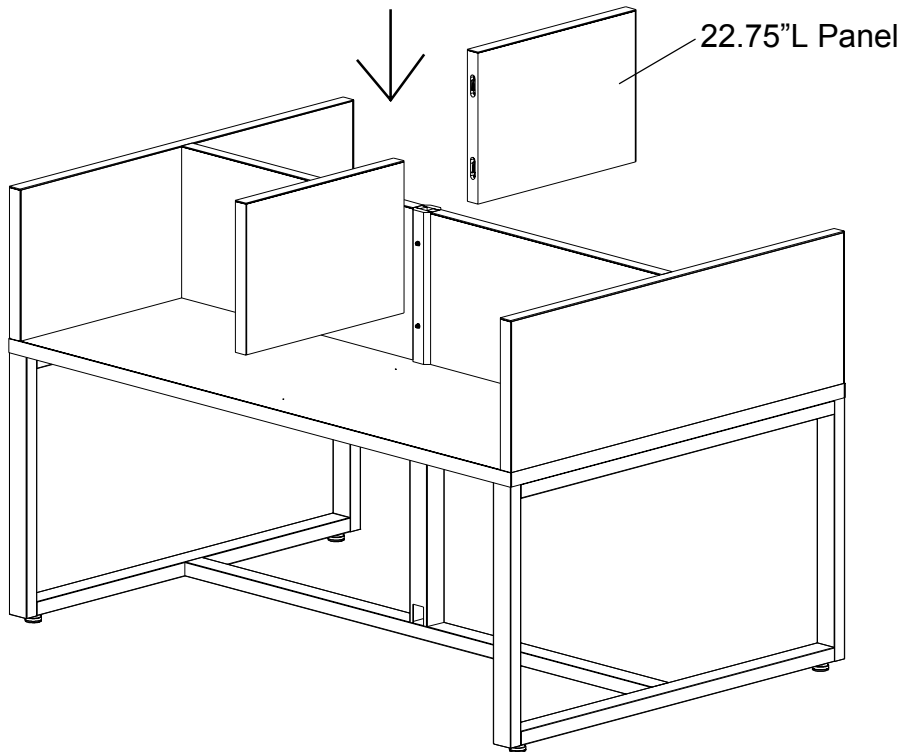


CC

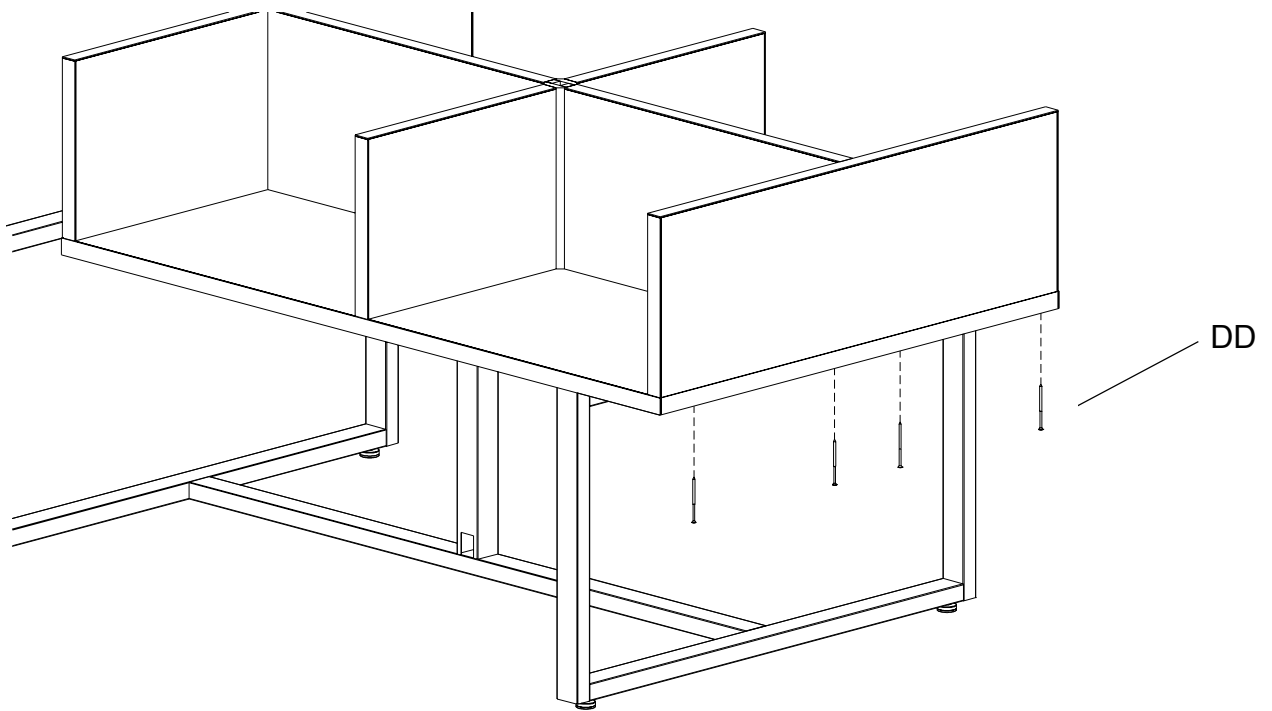


STEP 5

Install mod-eez screws (CC) to all sides of the post as shown in **FIGURE 3**. Place the post in the center of the worksurface. Slide each end/middle divider assembly onto the post as shown in **FIGURE 4**.



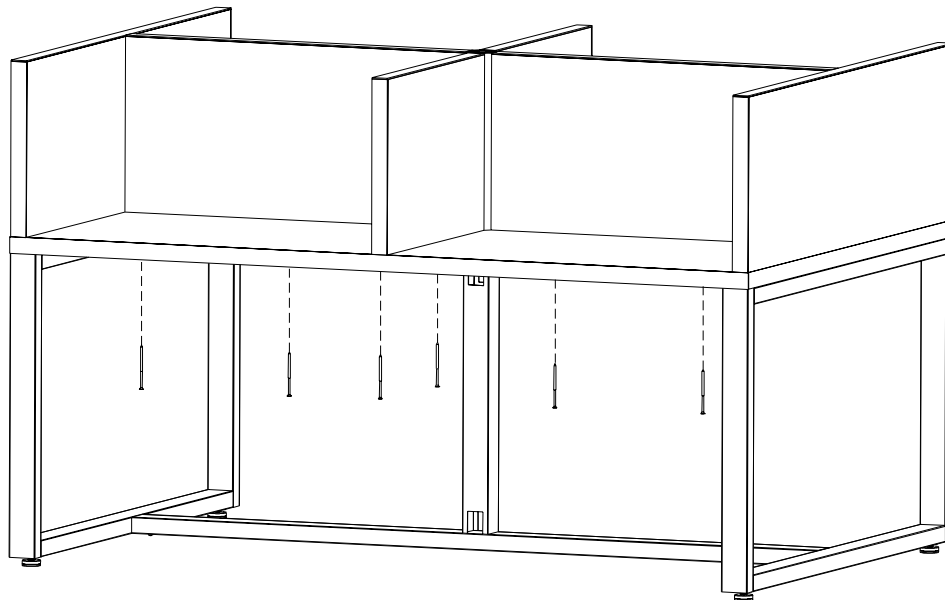
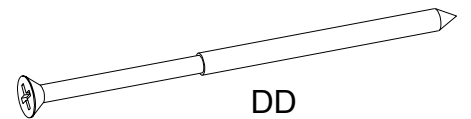
Slide the remaining divider panels onto the other sides of the post as shown.



STEP 7

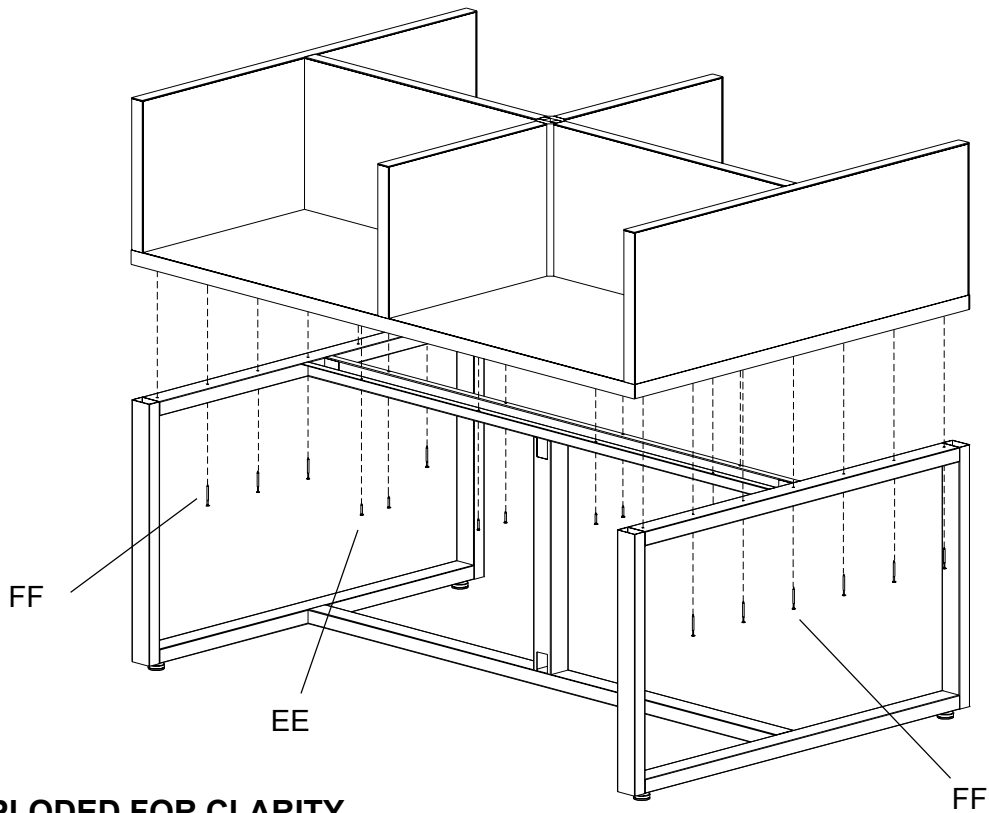
CAREFULLY slide the top over the base assembly. Secure the end divider assembly to the worksurface with screws (DD) as shown. Repeat on the other side of the desk.

NOTE: Make sure top assembly is back in place after both end dividers are attached.



STEP 8

From underneath, secure the middle dividers to the worksurface with screws (DD) as shown.



SHOWN EXPLODED FOR CLARITY

STEP 9

From underneath, secure the top to the frame assembly with screws (EE) & (FF) as shown. Use screws (EE) in the center and screws (FF) on the outer legs. **NOTE:** Top assembly is lifted above the base for clarity.

Bretford
11000 Seymour Avenue
Franklin Park, IL 60131
TEL: 847.678.2545
800.521.9614
FAX: 847.678.0852
800.343.1779

Bretford Ltd.
2 Etongate
110 Windsor Road
Slough, Berkshire SL1 2JA England
TEL: 01753 216531
FAX: 01753 539478

www.bretford.com

Part # 031-5993
03.17.06 CZ