



# BRETFORD™

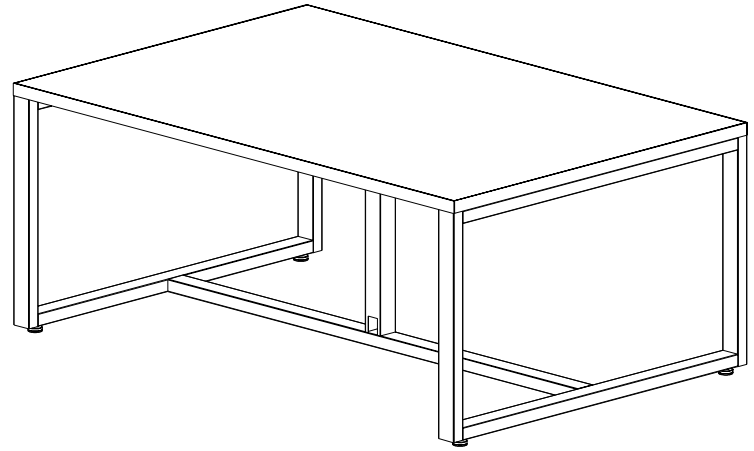
BRETFORD LIBRARY SYSTEMS

IHT4854TD IHT4872TD

IHT4896TD

ITHACA TABLE

Assembly Instructions



### Parts List

Qty.	Part No.	Description
2	022-2530	Side Frame Assemblies
1	022-2538	Middle Support - IHT4854TD
	022-2539	Middle Support - IHT4872TD
	022-2540	Middle Support - IHT4896TD
1	Varies	Table Wood Top

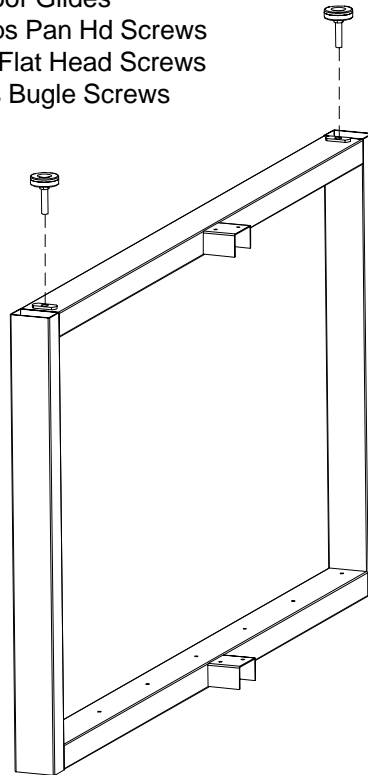
### ***SAFETY WARNING***

**Note: TWO PERSON**

**ASSEMBLY REQUIRED**

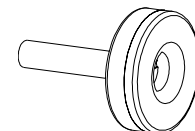
### Hardware List

Ref.	Qty.	Part No.	Description
AA	4	HD1128	1 3/4" X 3/8-16 Floor Glides
BB	8	030-0962	10-32 x 1/2" Phillips Pan Hd Screws
CC	14	SC1042	#8 X 2 1/4" Bugle Flat Head Screws
DD	8	SC1038	#8 x 1 1/4" Phillips Bugle Screws

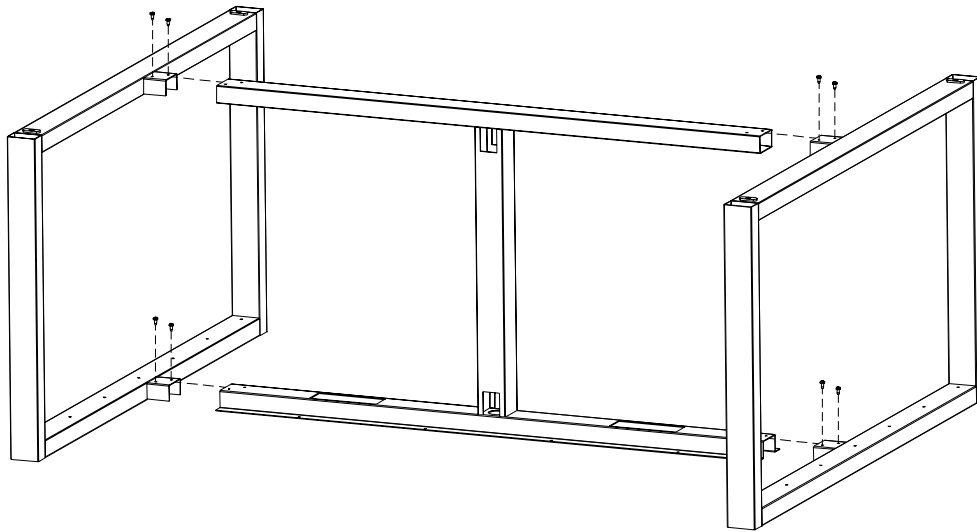


### STEP 1

Install each floor glide into the bottom of both side frames as shown.

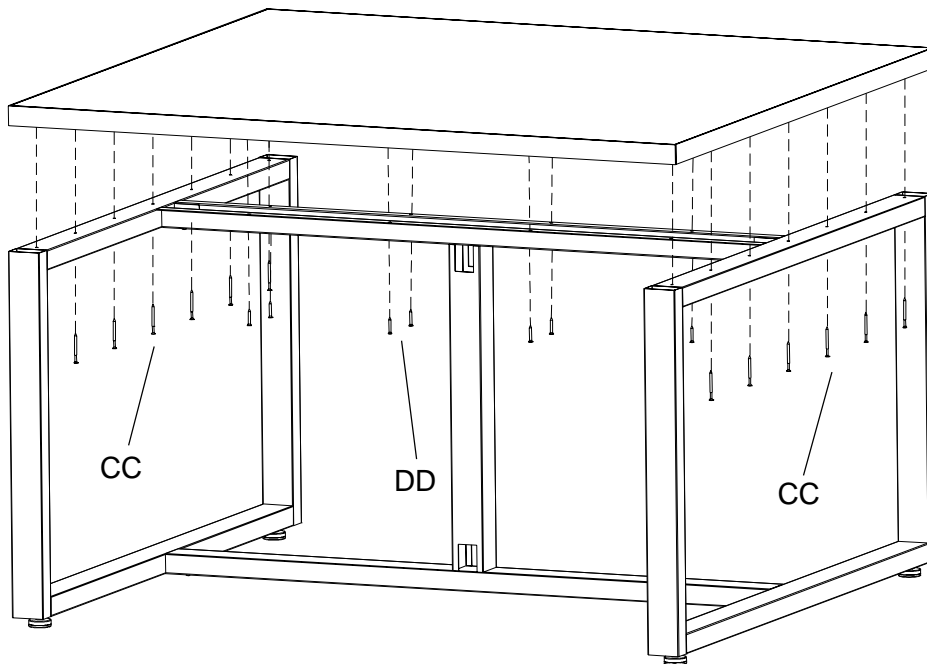
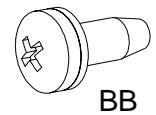


AA



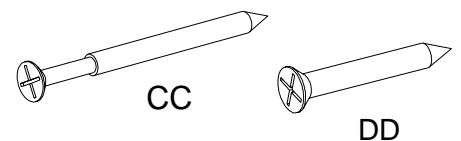
### STEP 2

Stand the side frames up as shown. Slide the middle support over the frame brackets and secure together using screws (BB).



### STEP 3

Stand frame assembly upright and level. Then place wood top on the frame assembly and secure from underneath using screws (CC) on the frames and screws (DD) on the support rail as shown.



**Bretford**  
 11000 Seymour Avenue  
 Franklin Park, IL 60131  
 TEL: 847.678.2545  
 800.521.9614  
 FAX: 847.678.0852  
 800.343.1779

**Bretford Ltd.**  
 2 Etongate  
 110 Windsor Road  
 Slough, Berkshire SL1 2JA England  
 TEL: 01753 216531  
 FAX: 01753 539478

[www.bretford.com](http://www.bretford.com)

Part # 031-5990  
 01.17.06 CZ