



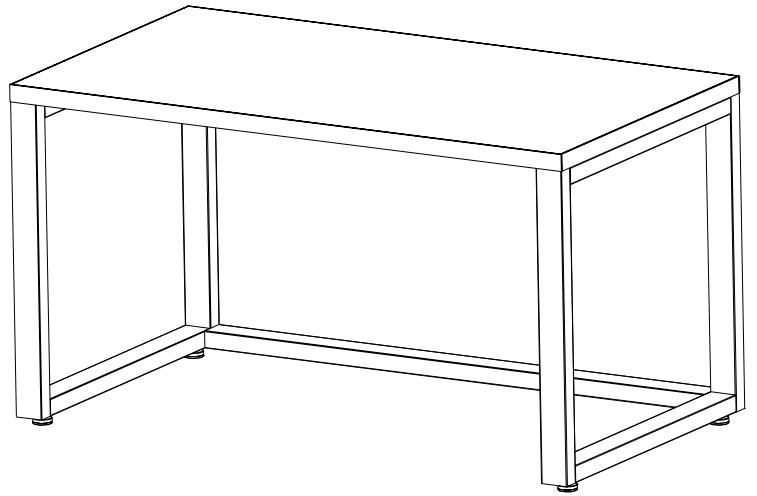
# BRETFORD™

## BRETFORD LIBRARY SYSTEMS

### IHT3054WD IHT3078WD

### ITHACA WORKSTATION

### Assembly Instructions



#### Parts List

Qty.	Part No.	Description
1	022-2531	Left Side Frame Assembly
1	022-2532	Right Side Frame Assembly
1	017-0828	Top Support Rail - IHT3054WD
1	017-0830	Top Support Rail - IHT3078WD
1	017-0829	Bottom Support Rail - IHT3054WD
1	017-0831	Bottom Support Rail - IHT3078WD
1	Varies	Workstation Wood Top

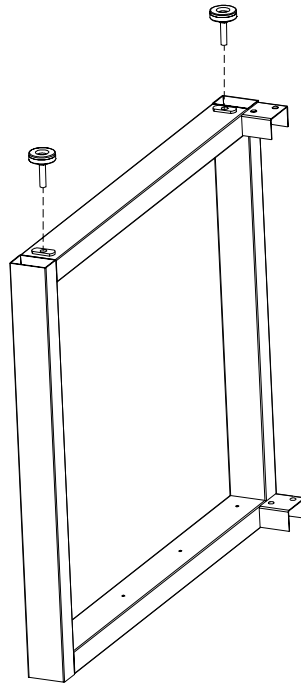
#### ***SAFETY WARNING***

**Note: TWO PERSON**

**ASSEMBLY REQUIRED**

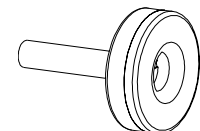
#### Hardware List

Ref.	Qty.	Part No.	Description
AA	4	HD1128	1 3/4" X 3/8-16 Floor Glides
BB	8	030-0962	10-32 x 1/2" Phillips Pan Hd Screws
CC	13	SC1042	#8 X 2 1/4" Bugle Flat Head Screws

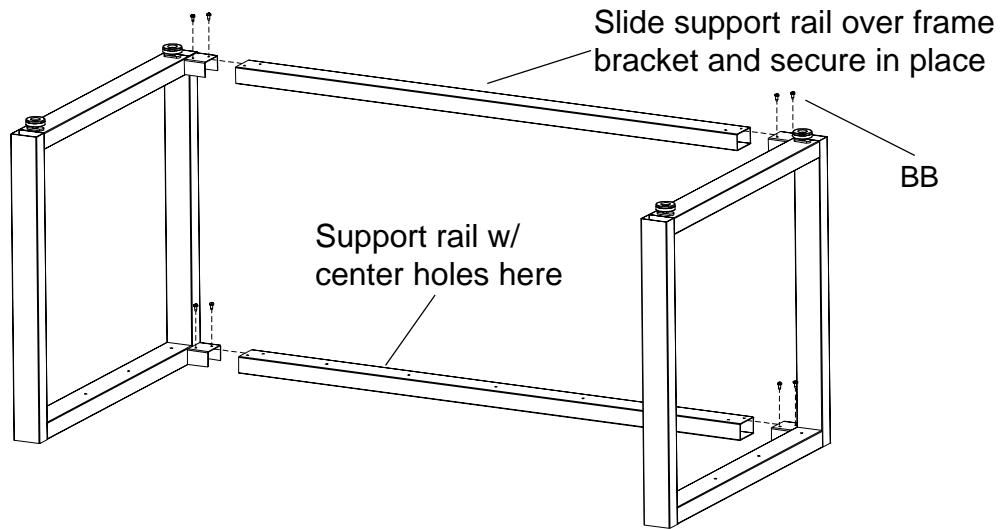


#### **STEP 1**

Install each floor glide into the bottom of both the right and left side frames as shown.



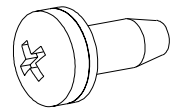
AA



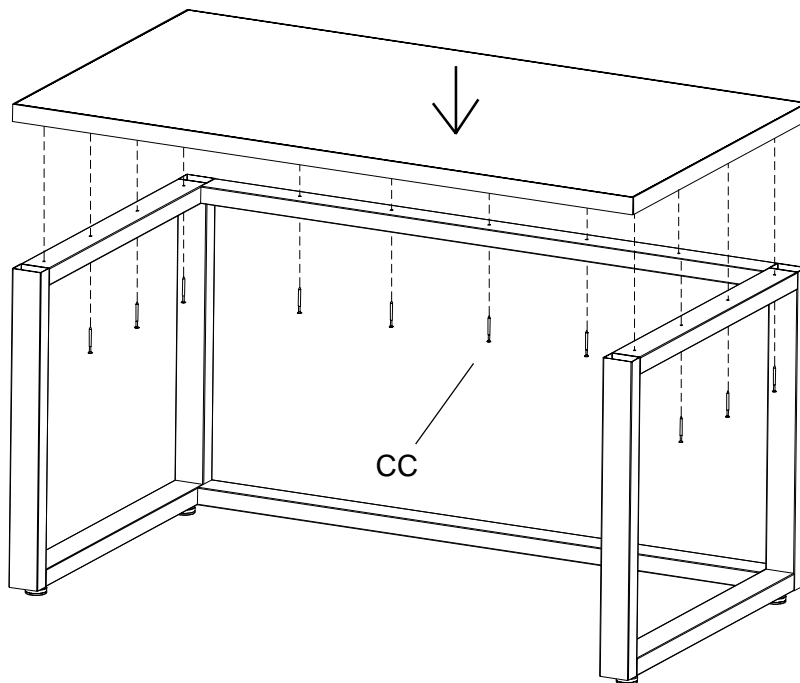
### STEP 2

Stand the side frames up as shown. Slide each support rail over the frame brackets and secure together using screws (BB).

**NOTE:** Make sure the support rail with the center through holes is on the bottom as shown.

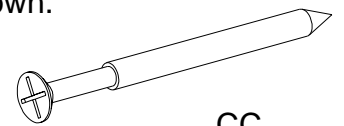


BB



### STEP 3

Stand frame assembly upright and level. Then place wood top on frame assembly and secure from underneath using screws (CC) as shown.



CC

**Bretford**  
 11000 Seymour Avenue  
 Franklin Park, IL 60131  
 TEL: 847.678.2545  
 800.521.9614  
 FAX: 847.678.0852  
 800.343.1779

**Bretford Ltd.**  
 2 Etongate  
 110 Windsor Road  
 Slough, Berkshire SL1 2JA England  
 TEL: 01753 216531  
 FAX: 01753 539478

[www.bretford.com](http://www.bretford.com)

Part # 031-5825  
 01.17.06 CZ