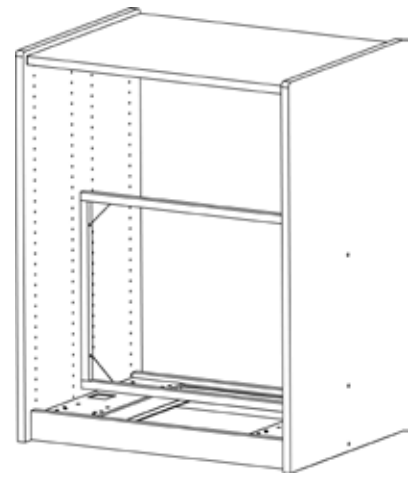


LEGACY COLLECTION
 CONCEALED MOBILE CASTER SHELVING SHELL
 Assembly Instructions



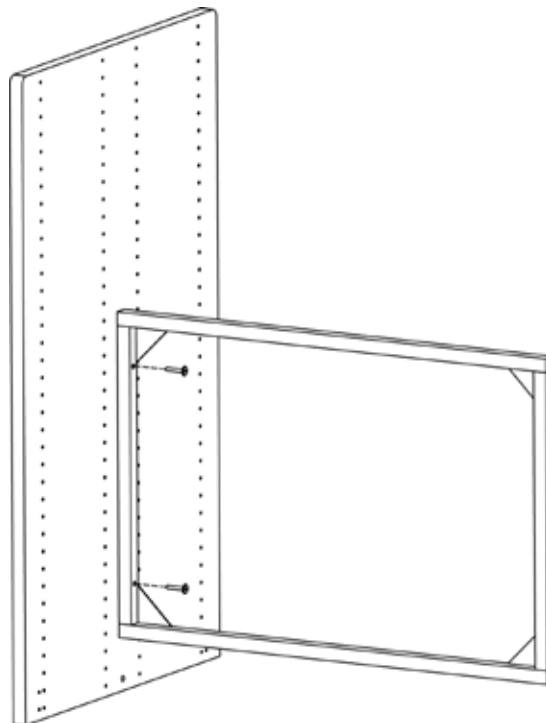
CAUTION: When loading books and materials into your shelving unit, ALWAYS start on the bottom shelf and work upward. Make sure you balance the weight on both sides of the shelving unit.

PARTS LIST

Qty	Description
2	End Panels
1	Steel Frame (For 42" & 48" Units) (2 For 60" Units)
1	Wood Top Shelf
2	Toe Kicks
1	Steel Mobile Base
2	4" Swivel Plate Casters
2	4" Non-Swivel Plate Casters

HARDWARE LIST

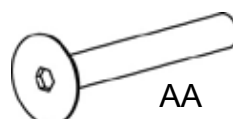
Ref.	Qty	Part #	Description
AA	4*	SC1048	45mm - 1/4-20 Joint Bolts *(8 for 60" Units)
BB	8	HD1096	RaFix Connecting Bolts
CC	4	010-2289	Toe Kick Brackets
DD	16	030-0250	#12 x 1/2" Phillips Pan Head Screws
EE	16	030-0307	5/16-18 x 5/8 Hex Head Screws
FF	16	030-0411	5/16-18 x Black Serrated Nuts
GG	2	030-0253	1/4-20 x 3/4" Combo Round Head Screws
	1	HK1020	Hex Key

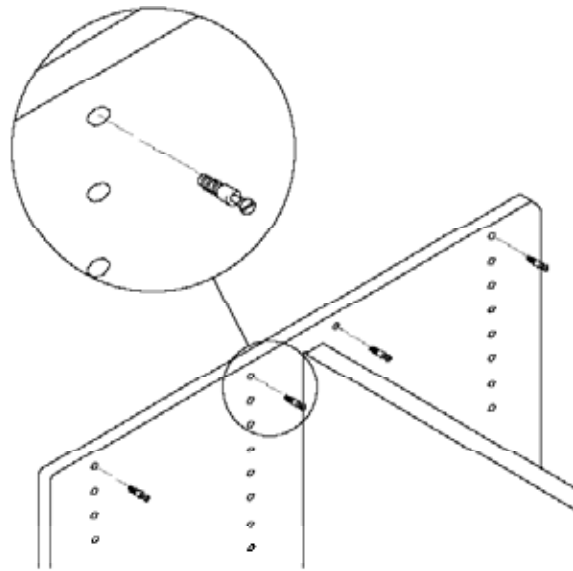


STEP 1

Attach the steel frame to the one end panel with bolts (AA) as shown. Attach remaining end panel to the opposite side of the frame in the same manner.

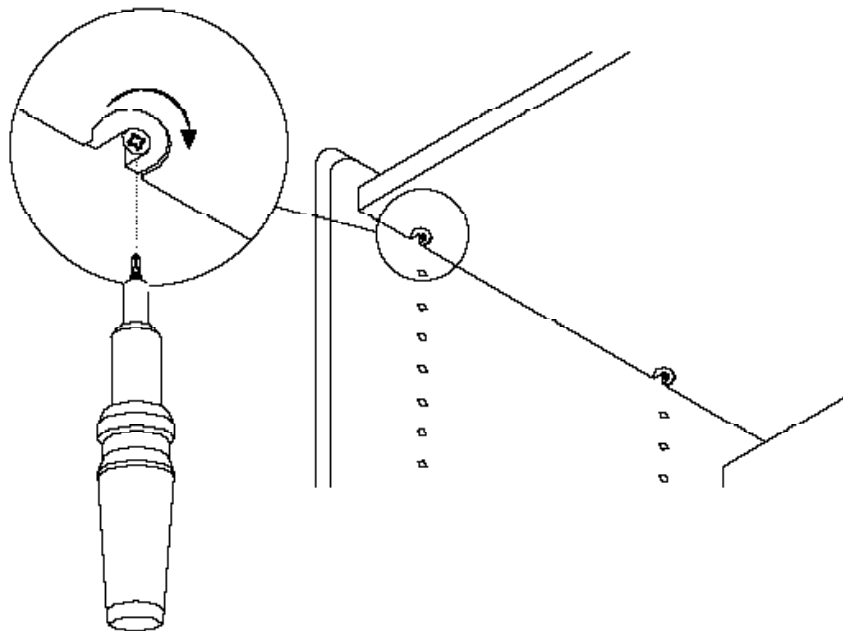
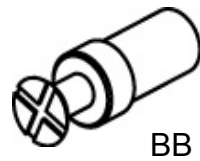
NOTE: For 60" units, attach the upper frame in the same manner.





STEP 2

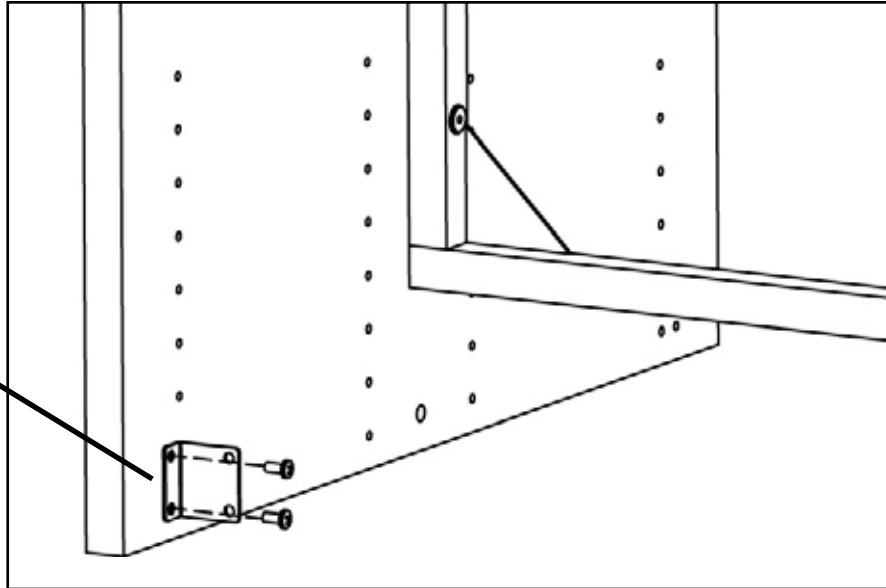
Insert RaFix pins (BB) into the top holes of each end panel as shown.



STEP 3

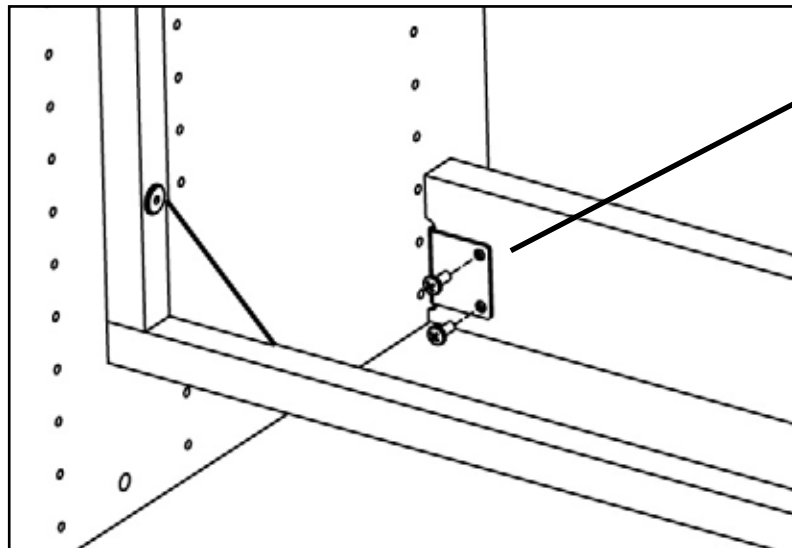
Lower the wood top shelf onto the pins and tighten the cam locks to secure shelf in place.

Position bracket over holes closest to the edge.



STEP 4

Attach a toe kick bracket (CC) into the bottom corner of each end panel. The bracket is attached as shown through the set of holes closest to the edge using screws (DD).

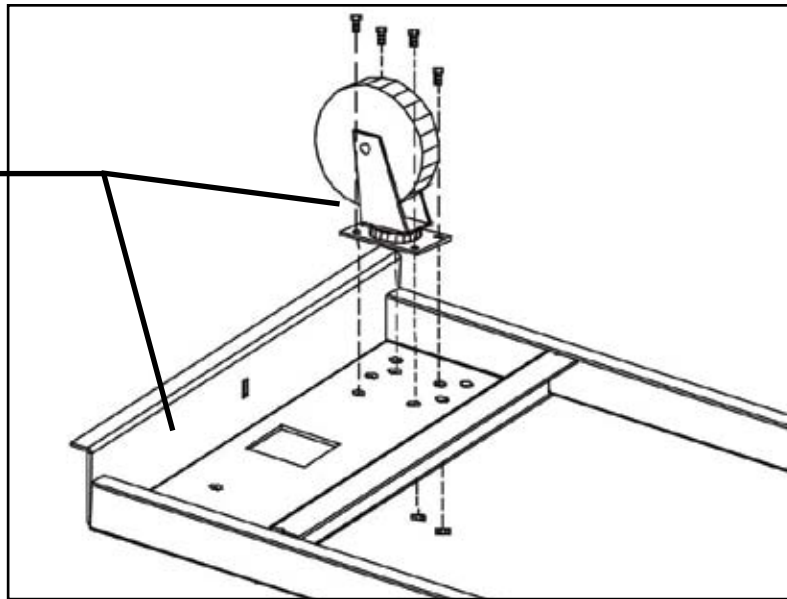


View shown from inside unit. Toe kick holes should face to the inside.

STEP 5

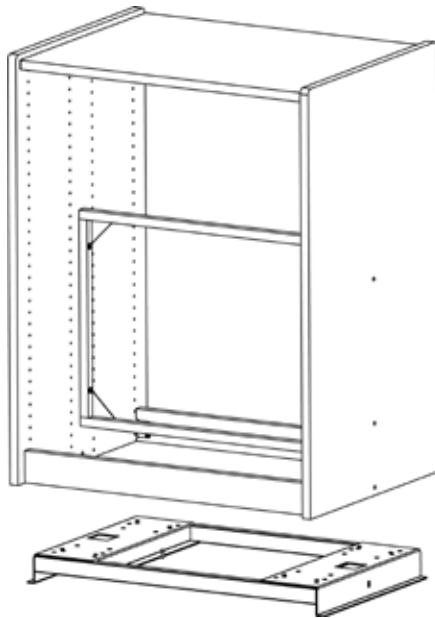
Position toe kick in front of the bracket and attach from behind with screws (DD) as shown. **NOTE:** View shown is from inside the unit.

NOTE: Install swivel casters on the same side of the base.

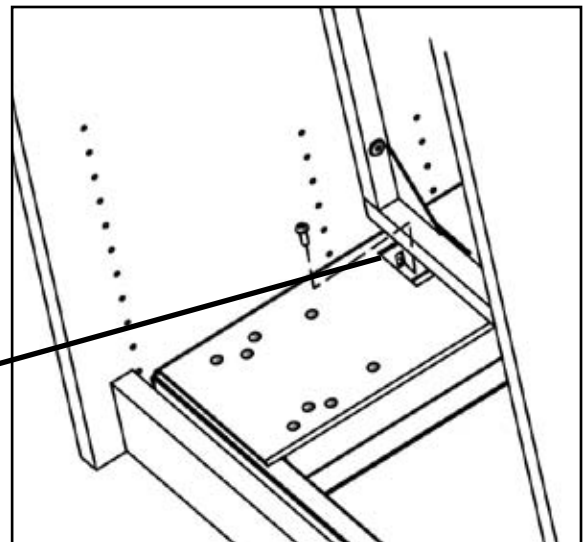


STEP 6

Attach each caster to the underside of the base with screws (EE) and nuts (FF) as shown. **NOTE:** The caster plate will only fit over one set of holes. Just align the plate over the holes to determine location.

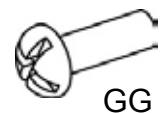


Attach through base window.



STEP 7

With someone's assistance, place the assembled shelving unit onto the base. Secure base and unit together using screws (GG) as shown.



Bretford
11000 Seymour Avenue
Franklin Park, IL 60131
TEL: 847.678.2545
800.521.9614
FAX: 847.678.0852
800.343.1779

Bretford Ltd.
2 Etongate
110 Windsor Road, Slough
Berkshire SL1 2JA England
TEL: 011 44 17 5353 9955
FAX: 011 44 17 5353 9478