

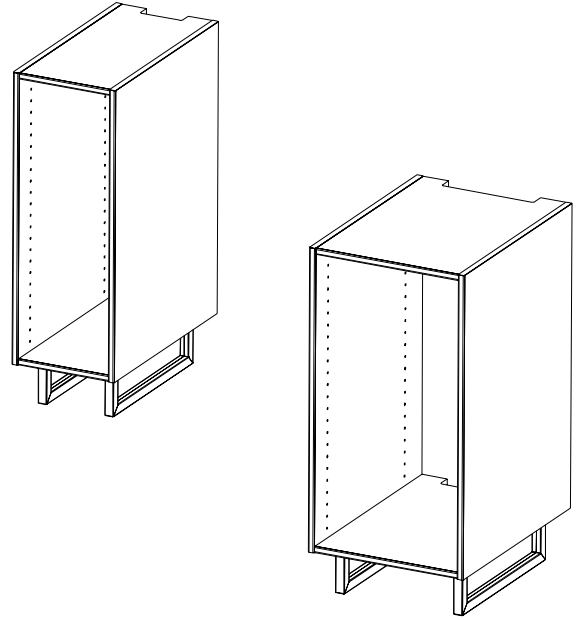


BRETFORD

SAN FRANCISCO CIRCULATION DESK

NARROW / WIDE SHELVING SHELL

Assembly Instructions



PARTS LIST - MODEL CBSNP

Qty	Part #	Description
1	SA3150	Left Side Panel
1	SA3151	Right Side Panel
2	SA3154	Top & Bottom Panels
2	022-2389	Box Risers
1	010-5005	Back Panel

PARTS LIST - MODEL CBSNS

Qty	Part #	Description
1	SA3152	Left Side Panel
1	SA3153	Right Side Panel
2	SA3154	Top & Bottom Panels
2	022-2389	Box Risers
1	010-5005	Back Panel

HARDWARE LIST

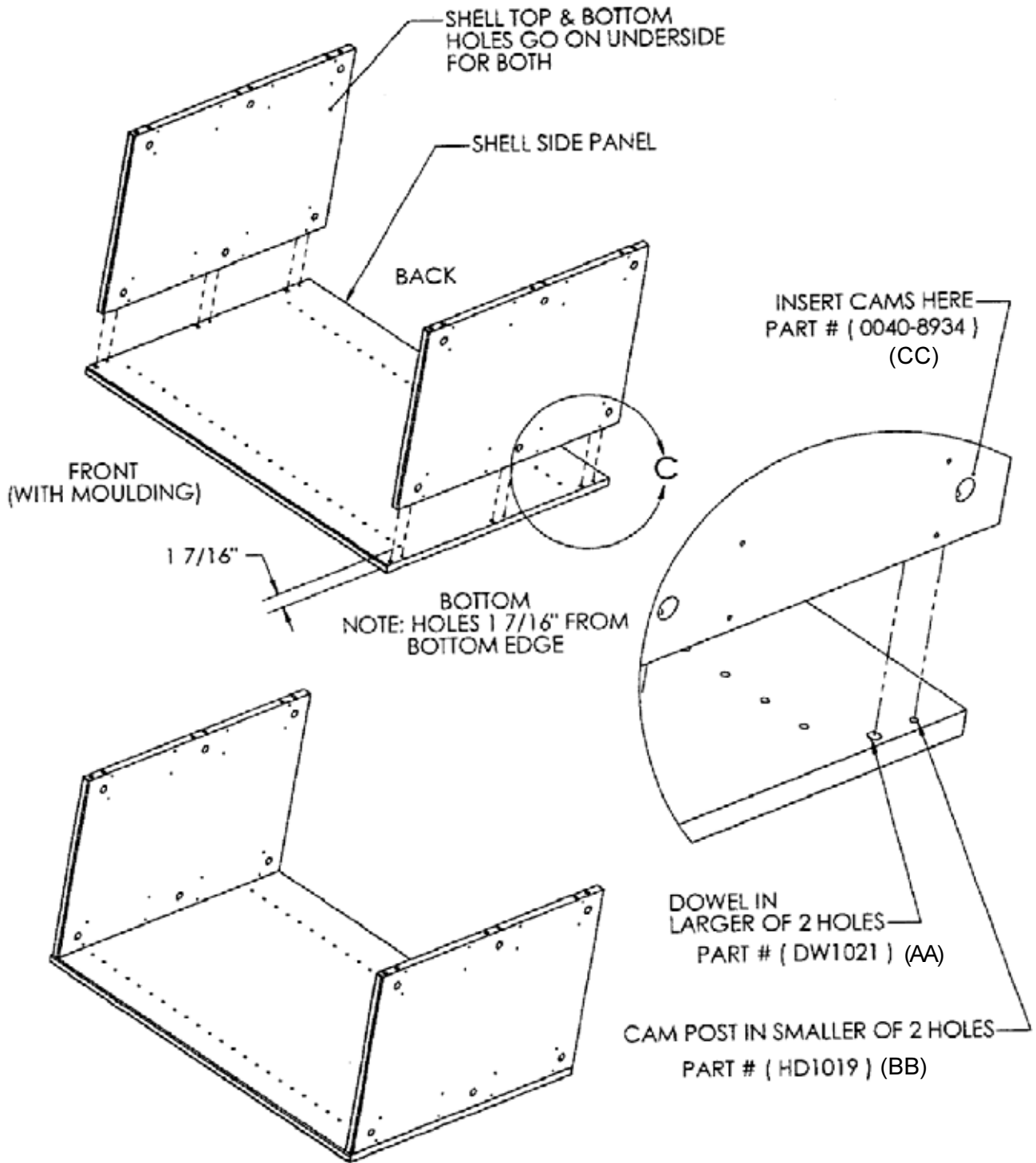
Ref.	Qty	Part #	Description
AA	12	DW1021	8mm x 32mm Wood Dowel
BB	12	HD1019	Mini Fix Screw Bolt (Cam Post)
CC	12	0040-8934	Raster Cam
DD	28	SC1070	#6 x 5/8" Phillips Pan Head Screws
EE	4	015-0088	3/8-16 x 1 1/4" Leg Levelers

PARTS LIST - MODEL CBSWP

Qty	Part #	Description
1	SA3152	Left Side Panel
1	SA3153	Right Side Panel
2	SA3155	Top & Bottom Panels
2	022-2389	Box Risers
1	010-5006	Back Panel

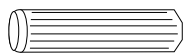
PARTS LIST - MODEL CBSWS

Qty	Part #	Description
1	SA3150	Left Side Panel
1	SA3151	Right Side Panel
2	SA3155	Top & Bottom Panels
2	022-2389	Box Risers
1	010-5006	Back Panel



STEP 1

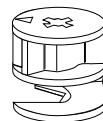
Insert dowels (AA), cam posts (BB) and cams (CC) into the holes indicated, then attach top and bottom panels to one side panel as shown. Lock cams by turning in direction of arrow.



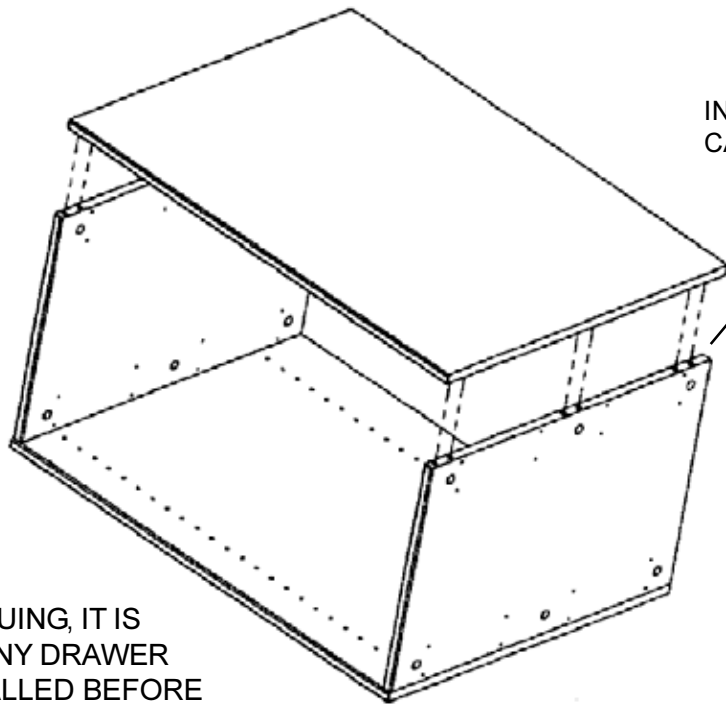
AA



BB



CC

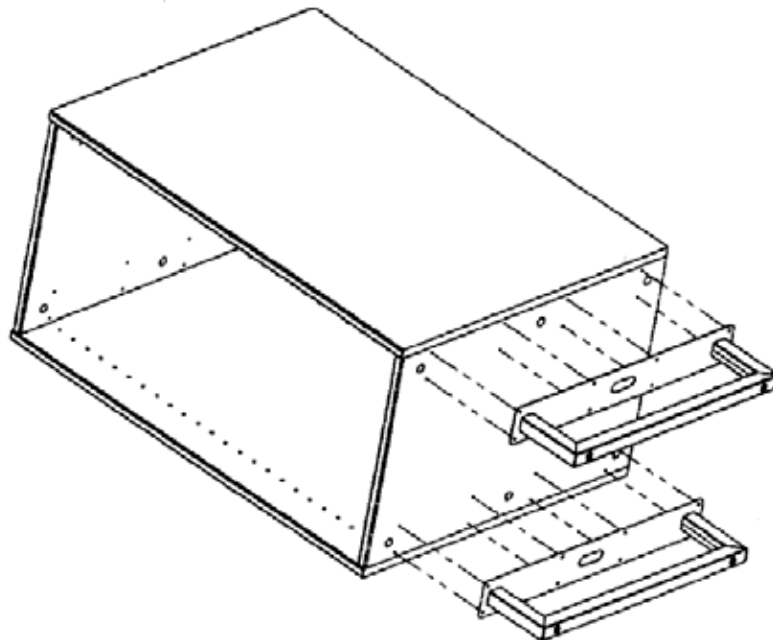


INSTALL DOWELS, CAM POSTS &
CAMS AS DESCRIBED IN STEP 1.

NOTE: BEFORE CONTINUING, IT IS RECOMMENDED THAT ANY DRAWER COMPONENTS BE INSTALLED BEFORE ATTACHING THE SECOND SIDE PANEL. CONSULT THOSE INSTRUCTIONS NOW.

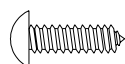
STEP 2

Insert dowels (AA), cam posts (BB) and cams (CC) as described in STEP 1. Then attach remaining side panel to top and bottom. Tighten cams by turning in direction of arrow.

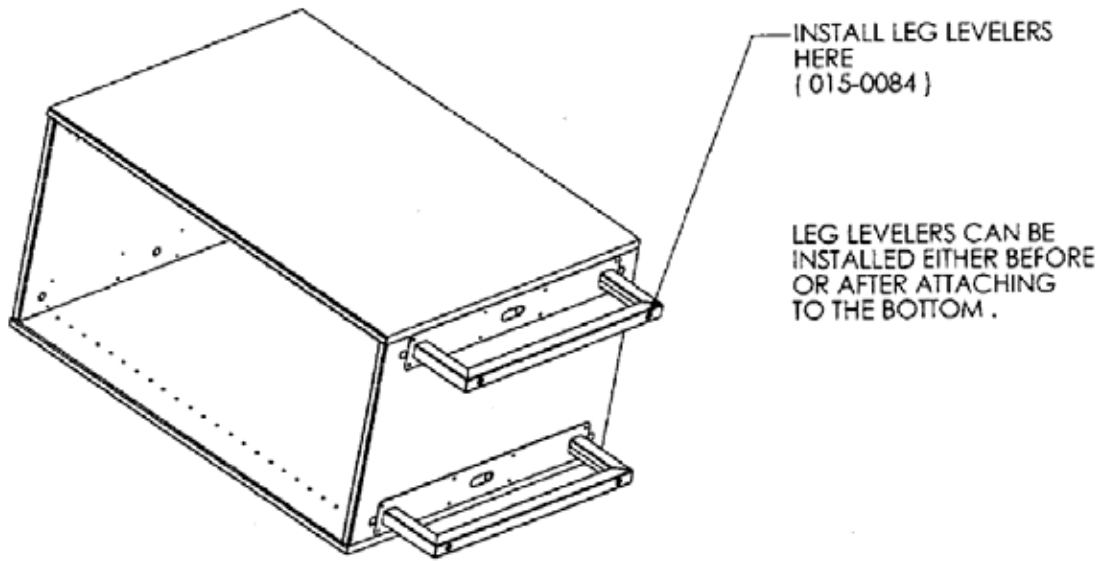


STEP 3

Attach box risers to the bottom panel as shown using screws (DD).

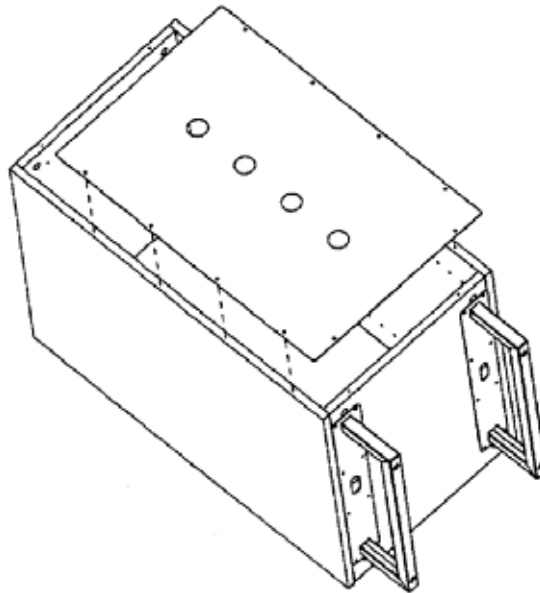
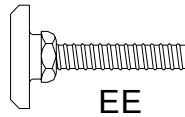


DD



STEP 4

Install leg levelers (EE) to box risers.



STEP 5

Loosely install one side first using screws (DD), then check the box for square. If necessary, prompt box into square. Then install the remaining screws into the other side and bottom.

Bretford
 11000 Seymour Avenue
 Franklin Park, IL 60131
 TEL: 847.678.2545
 800.521.9614
 FAX: 847.678.0852
 800.343.1779

Bretford Ltd.
 2 Etongate
 110 Windsor Road
 Slough, Berkshire SL1 2JA England
 TEL: 01753 216531
 FAX: 01753 539478