

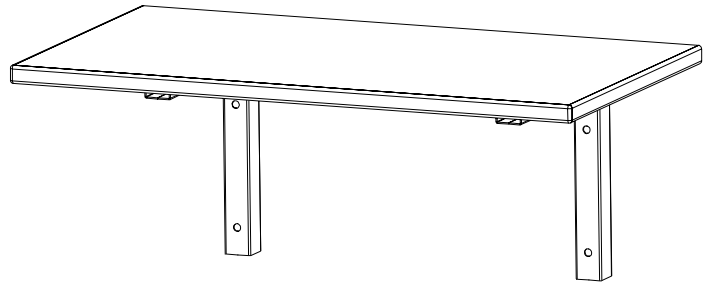


BRETFORD

SAN FRANCISCO CIRCULATION DESK

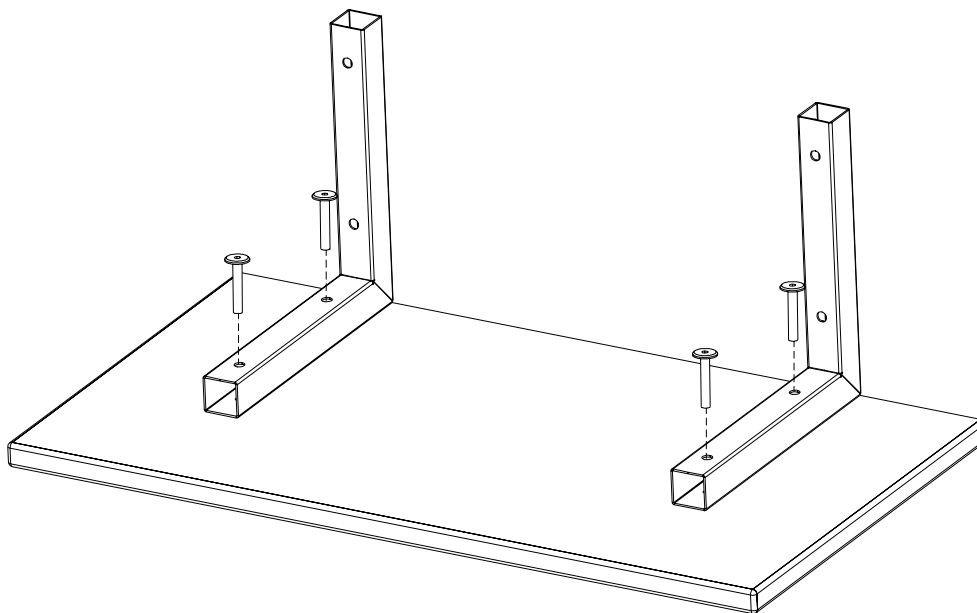
CPU HOLDER

Assembly Instructions



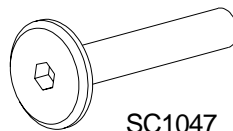
PARTS LIST

Qty	Part #	Description
1	SA3170	CPU Wood Shelf
2	017-0773	CPU Shelf Supports
4	SC1047	1/4-20 x 37.5mm Connector Bolts
4	SC1039	#8 x 1 3/4" Phillips Bugle Screws

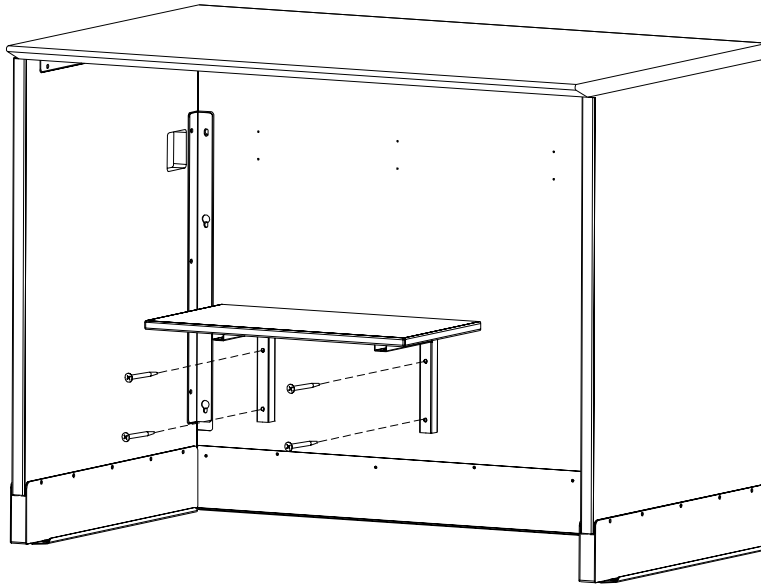


STEP 1

Lay the support tubes onto the wood top as shown and secure in place with the SC1047 bolts.

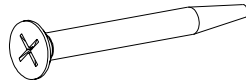


SC1047



STEP 2

Take assembled CPU holder and attach it to your desk front panel as shown using the SC1039 screws.



HD1013

Bretford
11000 Seymour Avenue
Franklin Park, IL 60131
TEL: 847.678.2545
800.521.9614
FAX: 847.678.0852
800.343.1779

Bretford Ltd.
2 Etongate
110 Windsor Road
Slough, Berkshire SL1 2JA England
TEL: 01753 216531
FAX: 01753 539478

www.bretford.com

Part # 031-5727
Rev. 07.05.06 CZ

