

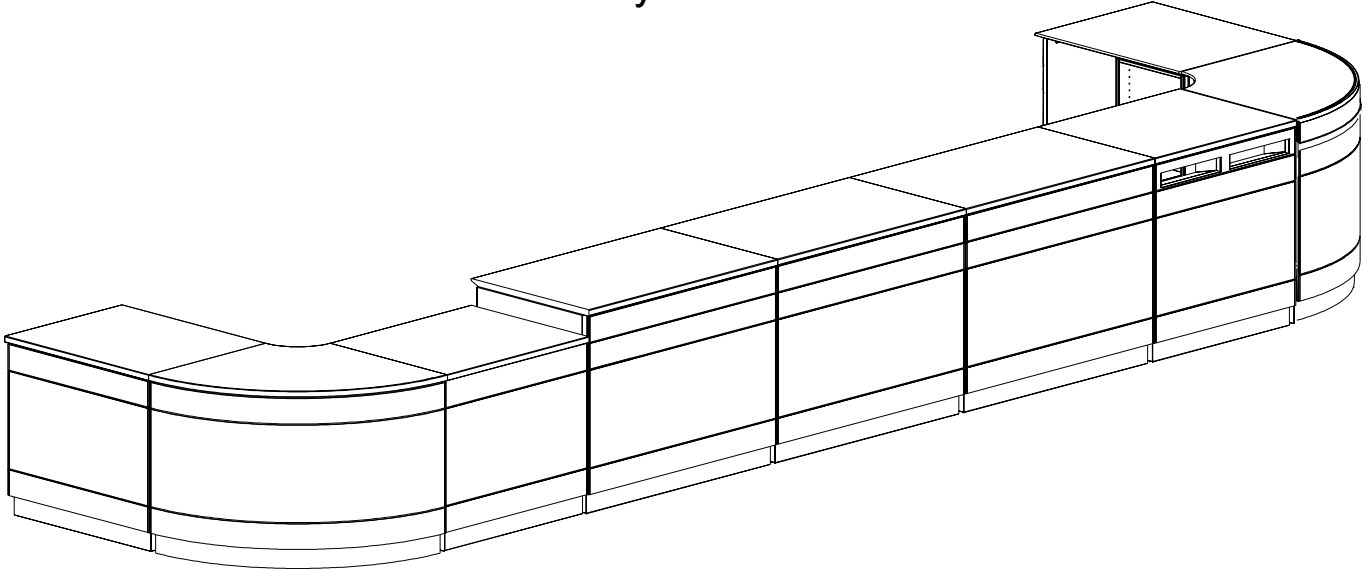


BRETFORD

LEGACY

San Francisco Circulation Desk

Assembly Instructions



GENERAL GUIDELINES FOR ASSEMBLY - READ FULLY

Refer to CAD printout enclosed for the parts list and specific arrangement of your desk.

Review CAD floor plan for correct placement of each component.

Read instruction fully before starting assembly.

Make sure to measure the room for exact placement because you cannot move desk as a whole once assembled.

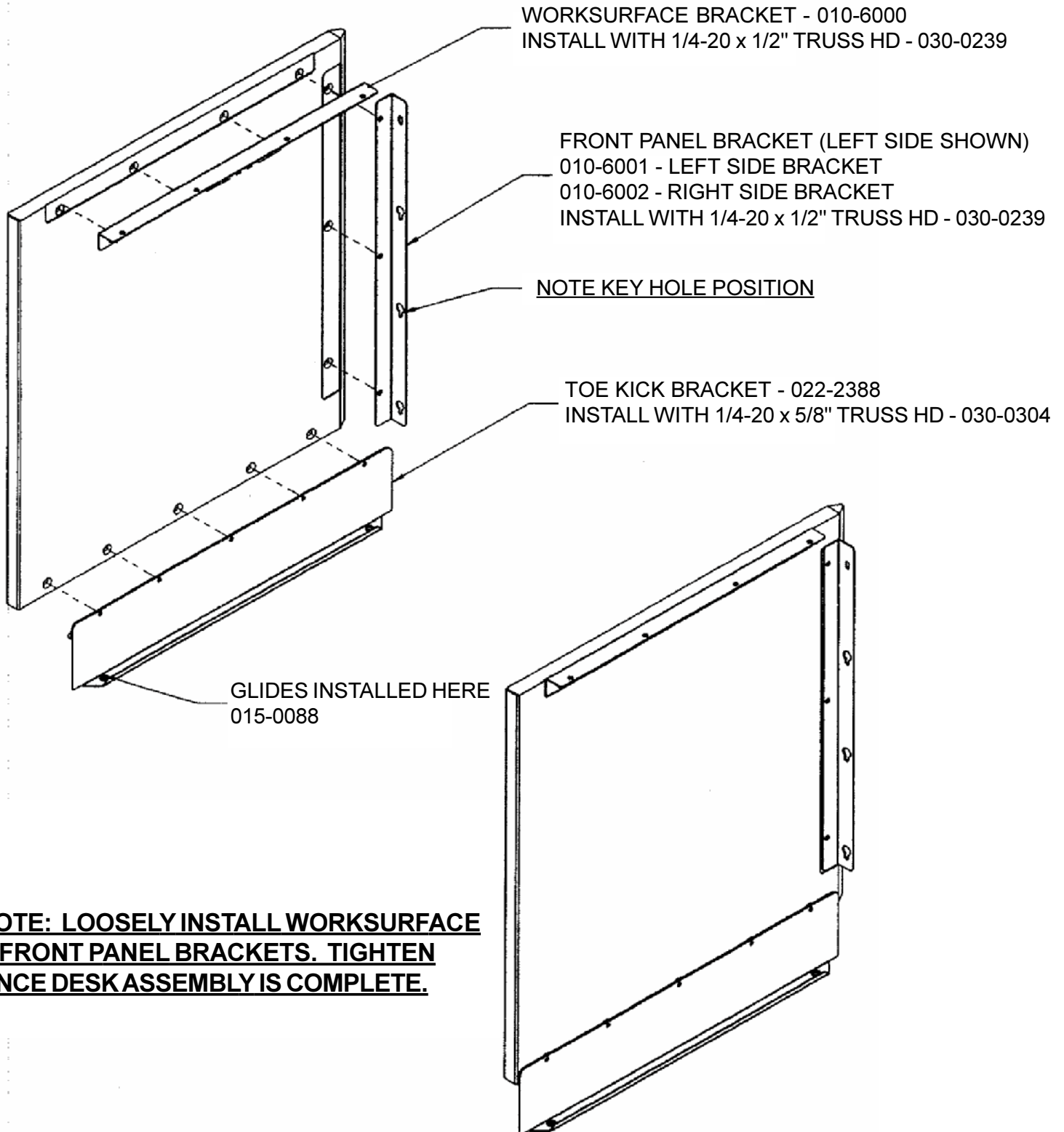
Each upright panel should get leveled independently and then again after the components have been assembled together as a desk. By leveling and plumbing the upright panels rather than the worksurfaces, you will have a more accurate point from which to build upon. **NOTE:** If your installation is on a carpeted floor, it is important to check and recheck level due to weight setting.

Be sure to install the worksurface and front panel brackets **LOOSELY** at first. This allows the unit to be adjusted into the proper positions with greater ease. Once all the components have been assembled loosely into a desk unit, adjustments can be made to each of the individual desk units separately if needed.

Depending on the overall size of the desk, you may need to fully secure a portion of the desk to use as a base point before continuing to loosely install the remaining sections. Keep in mind that brackets can be loosened to readjust components if necessary.

LEFT OR RIGHT END PANEL BRACKET ASSEMBLY

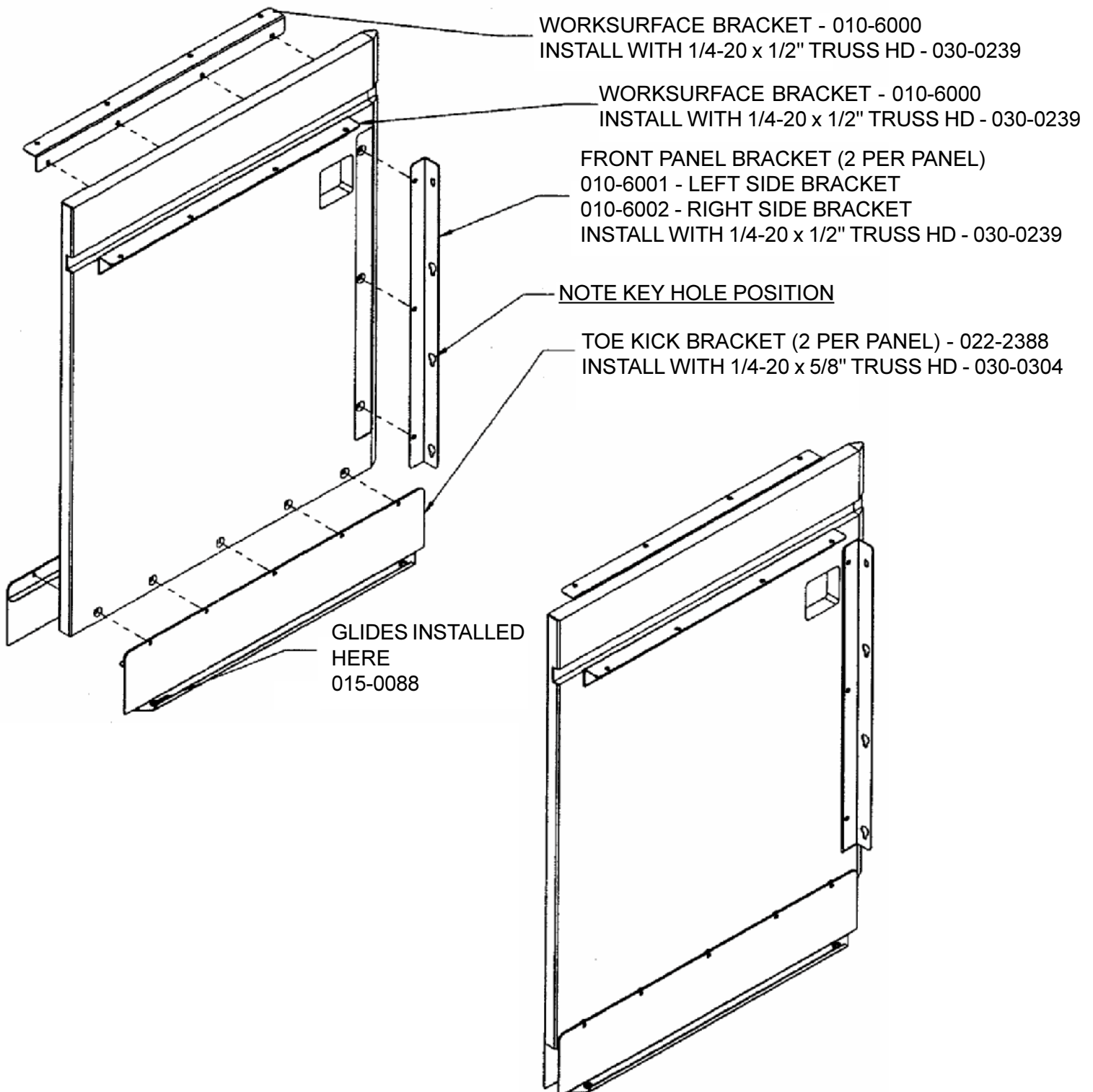
It is easiest to approach the whole installation in groupings. Begin by installing the toe kicks, worksurface and front panel brackets onto the upright panels. It is recommended that the glides are installed about half way in to allow for adjustment up or down during the assembly process. After completing these assemblies, set these units off to the side and continue with installing the toe kicks onto the front panels.



NOTE: LOOSELY INSTALL WORKSURFACE & FRONT PANEL BRACKETS. TIGHTEN ONCE DESK ASSEMBLY IS COMPLETE.

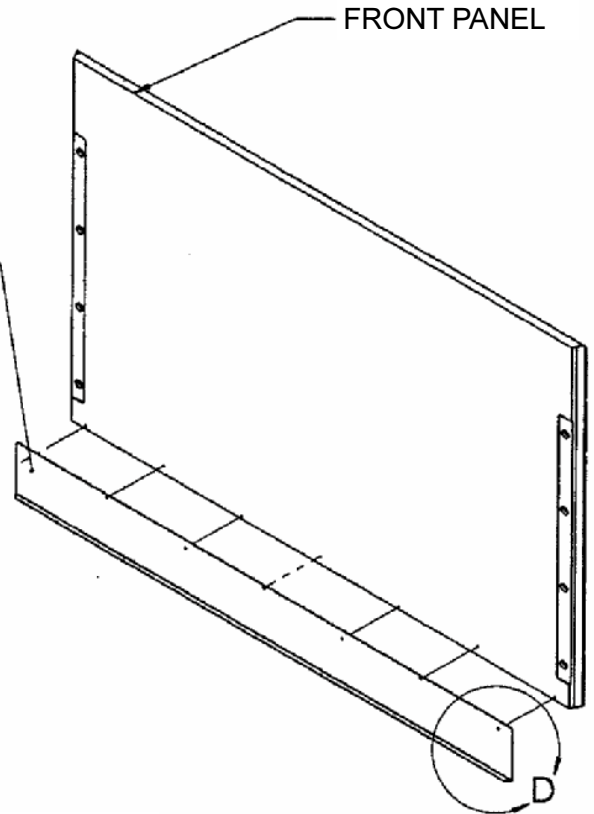
MIDDLE OR TRANSITION PANEL BRACKET ASSEMBLY (TRANSITION PANEL SHOWN)

NOTE: For transition panels, it is recommended that the worksurface bracket adjacent to the worksurface groove be installed after the worksurface has been installed. The worksurface will be supported by the groove until then.

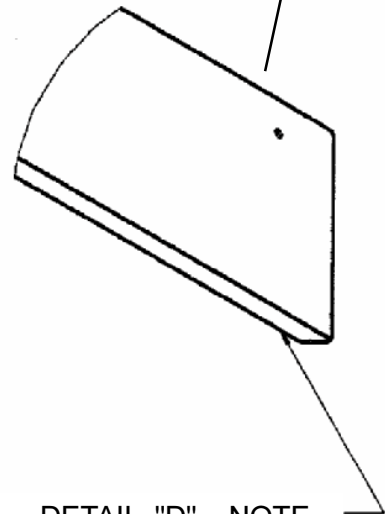
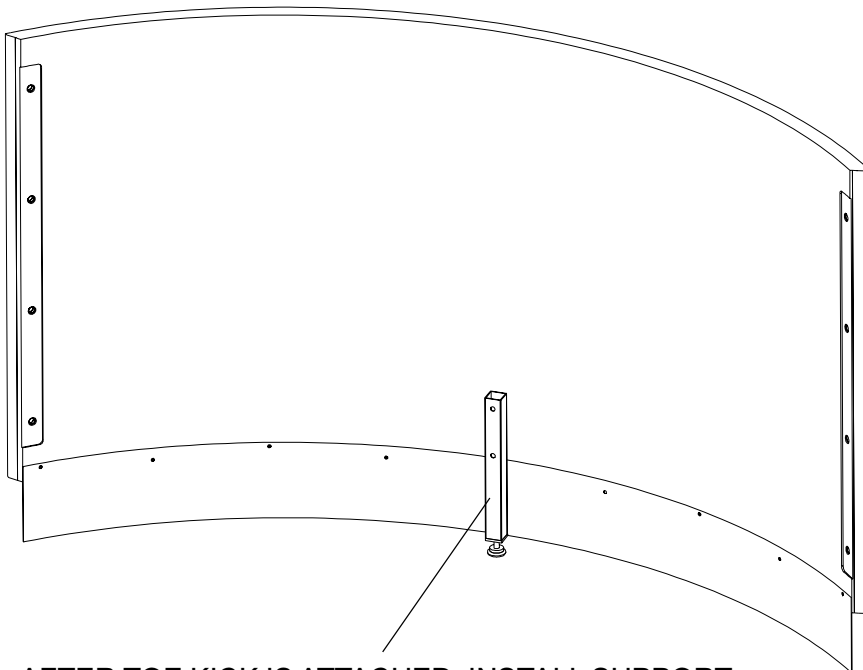


FRONT PANEL ASSEMBLY

FRONT PANEL TOE KICK**
INSTALL WITH #8 x 3/8" TRUSS HD - 030-0298
**PART NUMBER & NUMBER OF SCREWS
VARY BY WIDTH OF PANEL.



FOR 90 DEGREE CURVED &
HEXAGON FRONT PANELS



DETAIL "D" - NOTE
FLANGE ORIENTATION

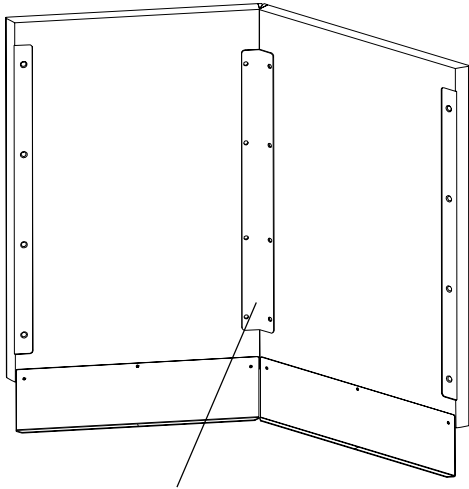
AFTER TOE KICK IS ATTACHED, INSTALL SUPPORT
TUBE** AS SHOWN WITH #8 x 1 3/4" SCREWS -
SC1039. ALSO INSTALL GLIDE - 015-0045.
**(017-0788 FOR CURVED & HEXAGON 017-0787 FOR
STRAIGHT)

2 OR 3 PIECE CORNER FRONT PANEL ASSEMBLY

For any 2 or 3 piece corner front panel, attach the panels together prior to assembling them into the desk. Attach the toe kicks to each individual panel as described on the previous page. The attach panels together with connecting brackets as shown in the examples below.

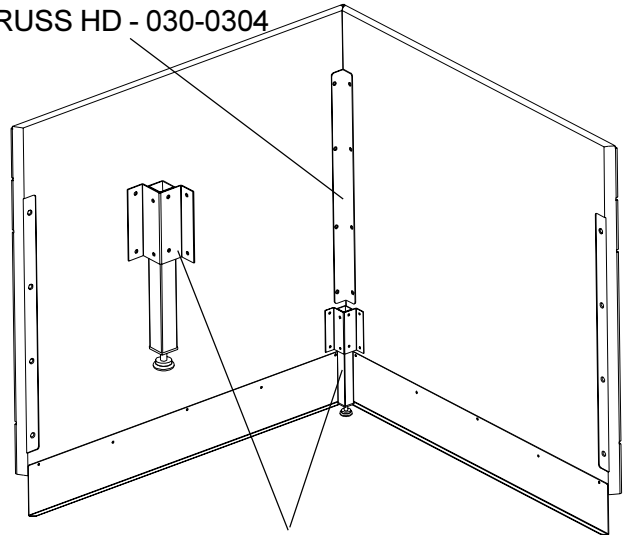
90 DEGREE SQUARE FRONT PANEL SET

45 DEGREE STRAIGHT FRONT PANEL SET



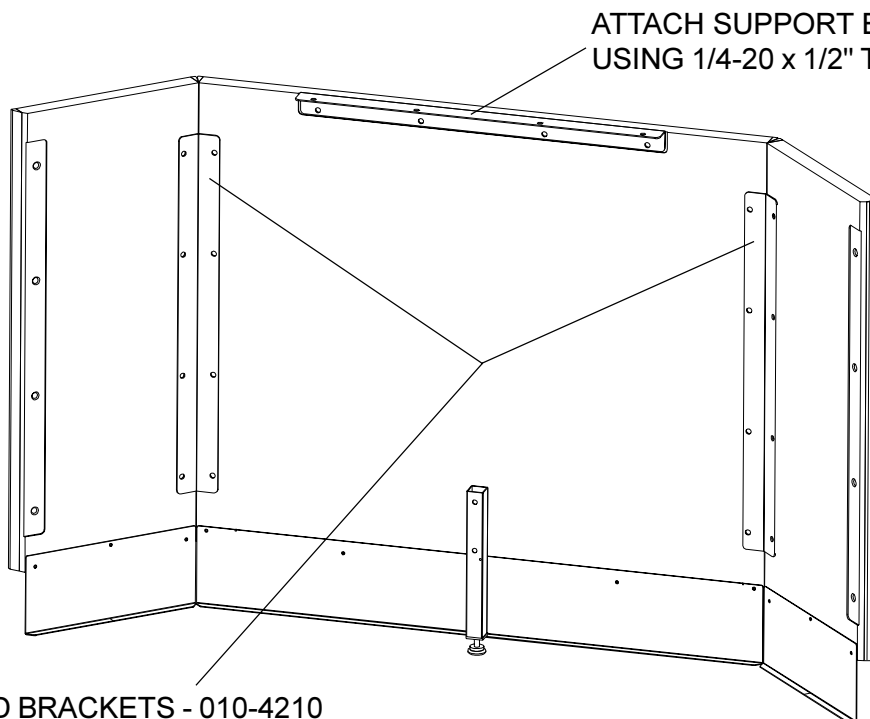
ATTACH ANGLED BRACKET - 010-4210
USING 1/4-20 x 5/8" TRUSS HD - 030-0304

ATTACH SUPPORT BRACKET - 010-6000
USING 1/4-20 x 5/8" TRUSS HD - 030-0304



FIRST ATTACH SUPPORT TUBE - 017-0787 & BRACKET
010-4318 TOGETHER USING 10-32 x 1/2" SCREW W/
WASHER - 030-0962. THEN ATTACH BRACKET TO PANEL
USING #8 x 1" BUGLE SCREW - SC1035.

90 DEGREE HEXAGON FRONT PANEL SET

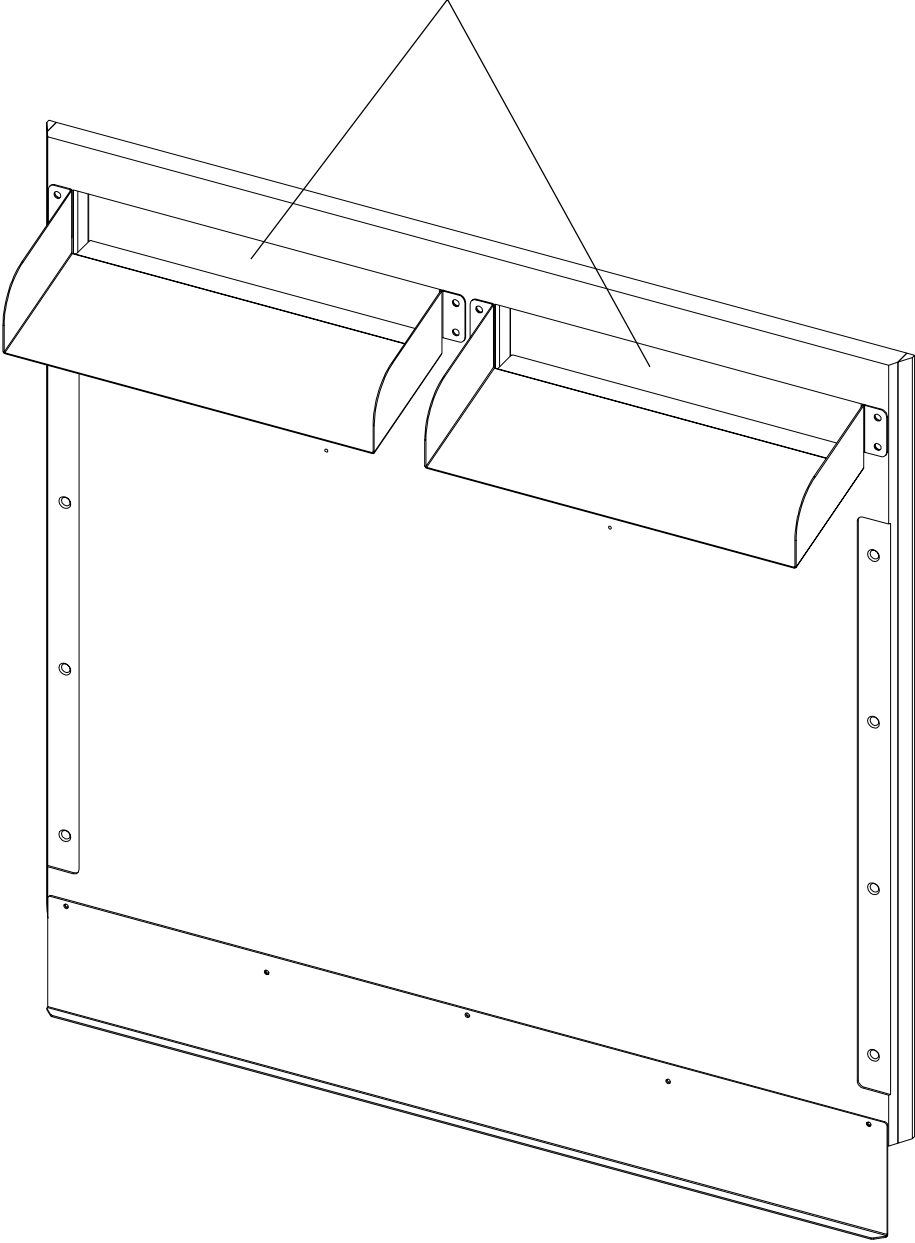


ATTACH SUPPORT BRACKET - 010-6000
USING 1/4-20 x 1/2" TRUSS HD - 030-0239

ATTACH 2 ANGLED BRACKETS - 010-4210
USING 1/4-20 x 5/8" TRUSS HD - 030-0304

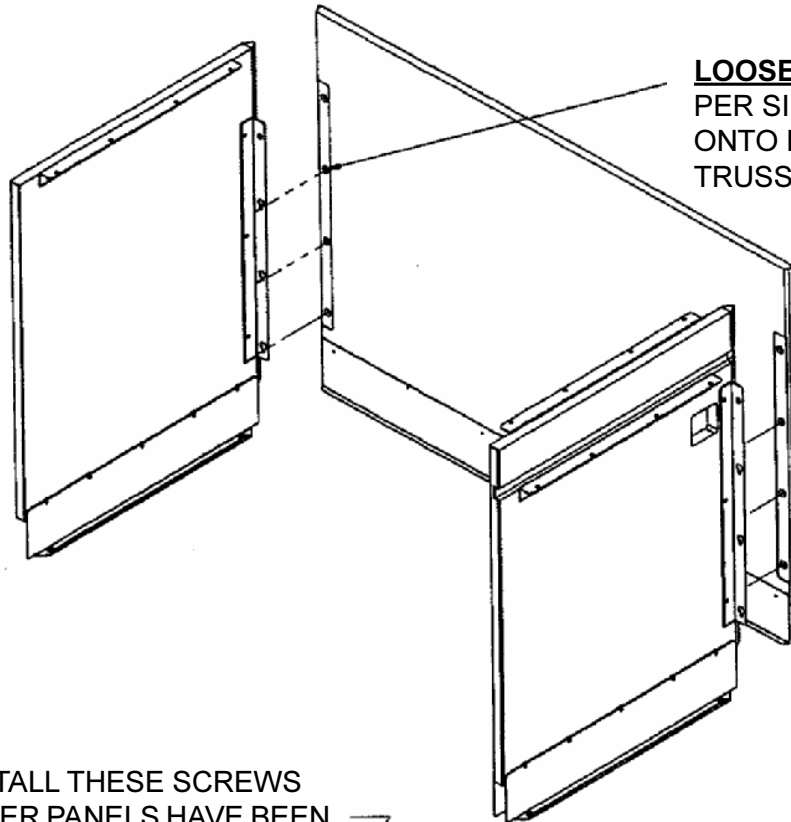
BOOK DROP ASSEMBLY

ATTACH EACH BOOK DROP BIN- 010-6027
USING 1/4-20 x 5/8" TRUSS HD - 030-0304
36" & 48" FRONT PANELS GET 2 BINS PER PANEL
54" FRONT PANELS GET 3 BINS PER PANEL



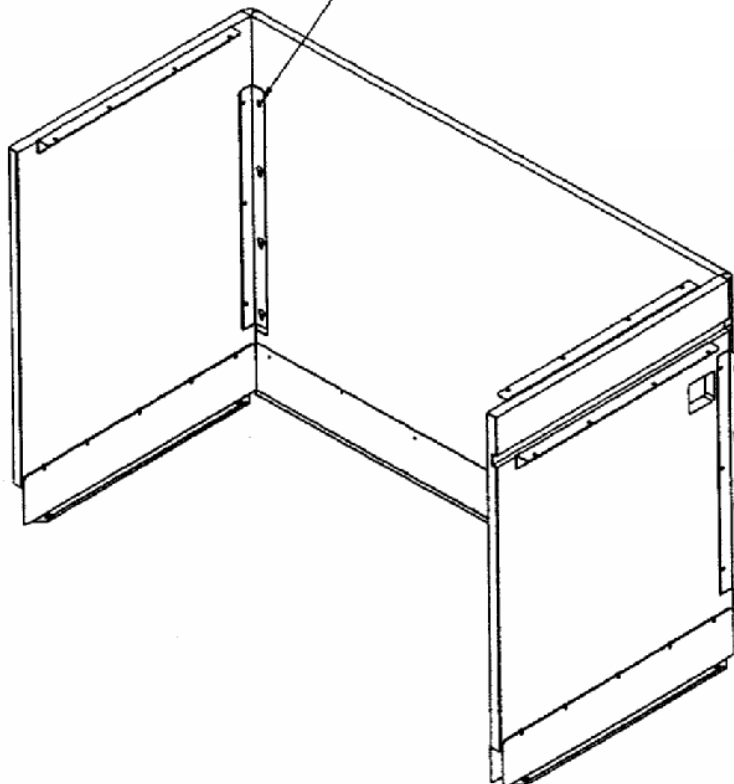
DESK ASSEMBLY - UPRIGHT PANELS TO FRONT PANEL

At this point, we recommend laying out the desk footprint using the front panels. It is helpful to lay them flat and space them approx 1/4" apart, as this is close to the final spacing once assembled. This step can aide in determining final positioning of the desk. Once the front panels are laid out, take all middle panels and position them in their correct locations. These middle panels should stand on their own. The end panels will need to lay flat on the floor at this time. Now start assembling components as described below.



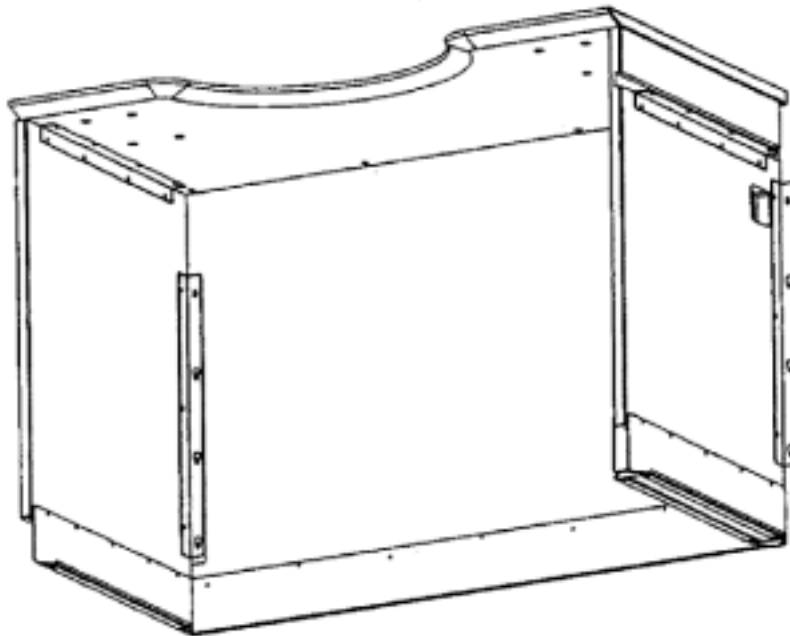
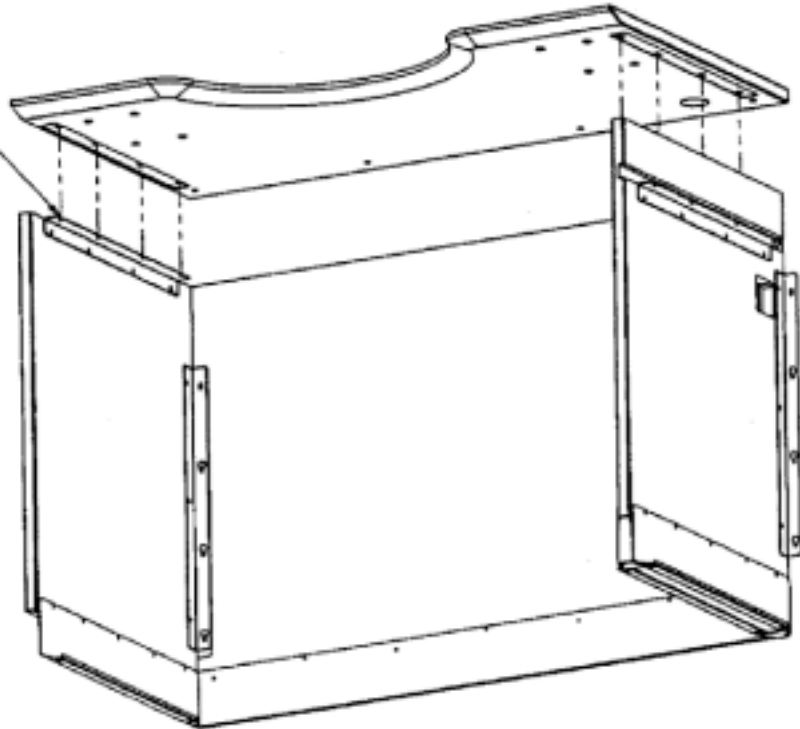
LOOSELY INSTALL 3 SCREWS PER SIDE AS SHOWN THEN HOOK ONTO BRACKET. USE 1/4-20 x 5/8" TRUSS HD - 030-0304

INSTALL THESE SCREWS AFTER PANELS HAVE BEEN CONNECTED



WORKSURFACE ASSEMBLY

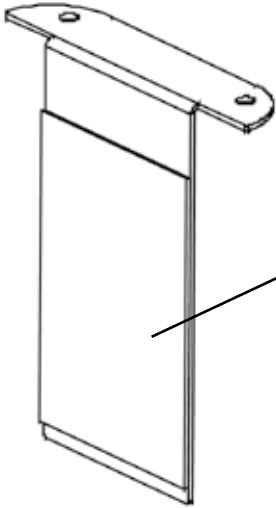
PLACE WORKSURFACE ONTO
BRACKETS AND SECURE IN
PLACE. USE 1/4-20 x 1/2"
TRUSS HD - 030-0239



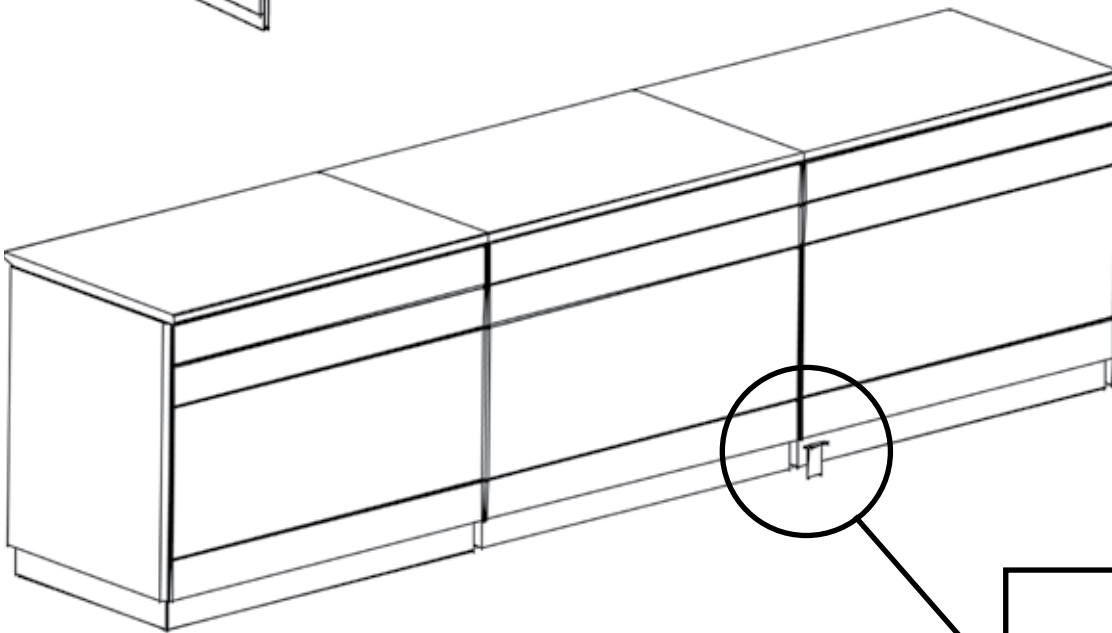
**CAUTION: ONCE DESK IS FULLY INSTALLED AND
LEVEL, TIGHTEN ALL BRACKET HARDWARE FULLY.**

TOE KICK CAP ASSEMBLY

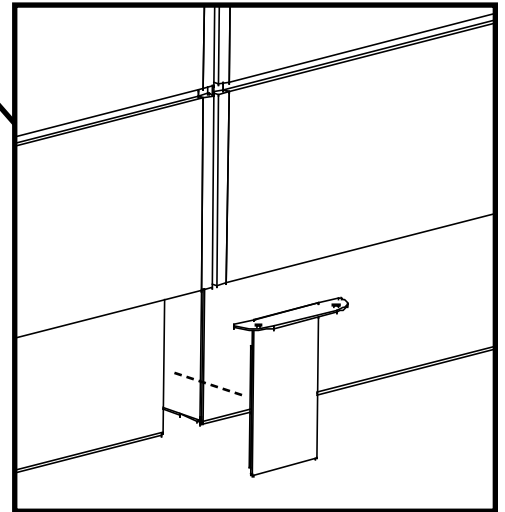
FOR MIDDLE AND TRANSITION PANELS ONLY



PEEL OFF ADHESIVE COVERING BEFORE INSTALLING. **NOTE:** IT IS HELPFUL TO BEGIN INSTALLING A BIT LOWER THAN REQUIRED AND PUSH UP & IN.



INSTALL CAP TO THE FRONT OF EACH MIDDLE/TRANSITION PANEL. NO CAP IS INSTALLED IN THE INTERIOR SIDE OF THE DESK.



Bretford
11000 Seymour Avenue
Franklin Park, IL 60131
TEL: 847.678.2545
800.521.9614
FAX: 847.678.0852
800.343.1779

Bretford Ltd.
2 Etongate
110 Windsor Road, Slough
Berkshire SL1 2JA England
TEL: 011 44 17 5353 9955
FAX: 011 44 17 5353 9478

www.bretford.com

Part # 031-5728
Rev. 05.03.10 CZ